



Body Parts Manual



Aeromaster on Freightliner Chassis

Read First: Top Tips on Using This Online Manual

Browse pages with Bookmarks (hyperlinks) or Thumbnails

Bookmarks, at the left of the screen, are hyperlinks to document pages. From any page in this document, you can use bookmarks to jump to any section heading.

To jump to a topic by using its bookmark, point to the bookmark name, and when the arrow becomes a pointing hand, click on the name. If a triangle (or + sign) appears to the left of the bookmark, click the triangle (or + sign) to show or hide subordinate bookmarks.

Thumbnails are visual icons of the actual pages. After selecting the thumbnail view button (Acrobat Reader ver. 3.0) or tab (ver. 4.0), you can quickly browse for parts sections just by the “look” of the page. Click on the appropriate thumbnail to view that page.



Use the Zoom and Fit tools for magnification of page sections

Select the Zoom tool. **(In ver. 4.0, when the Hand tool is selected, you can temporarily change to the Zoom tool by holding down the Ctrl key and the space bar at the same time.)** Click and drag to draw a rectangle around the area you want to magnify.

To return to an overview, you can click on one of the following buttons:

- The Fit Page button scales the *entire* page to display within the main window.
- The Fit Width button scales the page *width* to display within the main window.



Use the Text tool for copying selected text into other applications

You can select text in a PDF document, copy it to the Clipboard, and paste it into another application. **By pasting parts descriptions and numbers into your email, you can order parts much faster than through phoning or faxing.** To select text and copy it to the Clipboard:

1. Click the Text Selection tool.
2. Click and drag over the text you want to select. When you release the mouse button, the selected text stays highlighted.
3. Hold down the Ctrl key and press C on the keyboard to copy the selected text to the Clipboard.



Find parts or procedures with the Find tool

Use the Find tool to search for a fragment of a word, a complete word, or multiple words in the active document. To **find** a word (e.g., a part name):

1. Click the Find tool.
2. In the Find What text box, enter the text to be found and click Find. When the program finds the text, the Find dialog box closes and the page containing the text is displayed with the text highlighted.
3. To find the **next occurrence** of the word, press F3, press Ctrl + G, or reopen the Find dialog box and click Find Again.



Revision Control

Revision

Rev. A

Print Date

September 2002

Important Notices

©2002, Utilimaster.®

Printed in U.S.A.

Title: *Aeromaster on Freightliner Chassis—Body Parts Manual*

Utilimaster Corporation attempts to provide information that is accurate, complete, and useful. All information contained in this manual is based on the latest product information available at the time of publication. However, because of the Utilimaster policy of continual product improvement, Utilimaster reserves the right to amend the information in this document at any time without prior notice. Should you find inadequacies in the text, please send your comments to the following address:

Utilimaster
Attn: Designer of Technical Publications
65906 State Road 19, P.O. Box 585
Wakarusa, Indiana, 46573-0585, U.S.A.

NOTE: When phoning Utilimaster, be aware that our 219 telephone area code changed to 574 in January 2002. The 800 numbers were unaffected.

This material is confidential and the property of Utilimaster. It is shared with your company for the sole purpose of helping you with the operation of the described equipment.

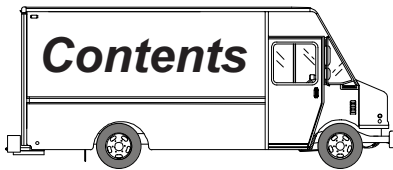
Utilimaster makes no warranty of any kind with regard to this material, including, but not limited to, the implied warranties of merchantability and fitness for a particular purpose. Utilimaster shall not be liable for errors contained herein or for incidental or consequential damages in connection with the furnishing, performance, or use of this material.

Utilimaster expressly disclaims all responsibility and liability for the installation, use, performance, maintenance, and support of third-party products. Customers are advised to make their independent evaluation of such products.

No part of this document may be photocopied, reproduced, or translated to another language without the prior written consent of Utilimaster.

Utilimaster® and Aeromaster® are a registered trademarks of Utilimaster Corporation.

Browse the award-winning web site www.utilimaster.com for more information about Utilimaster and its products.



<i>Revision Control</i>	3
<i>Important Notices</i>	3
<i>Introduction</i>	7
<i>Decoding Part Numbers</i>	7
<i>Finding Part Numbers</i>	7
<i>Item Numbers</i>	7
<i>Part Numbers with a Suffix</i>	8
<i>Part Descriptions</i>	8
<i>Model Numbers</i>	9
<i>Ordering Parts</i>	10
<i>How to Order</i>	10
<i>Returns</i>	10
<i>Customizable Parts Order Form</i>	10
<i>Parts Order Form</i>	11
<i>Filing Warranty Claims</i>	12
<i>Reporting Safety Defects (U.S. Only)</i>	13
<i>Body Serial Number</i>	14
<i>VIN Number</i>	14
<i>More Information</i>	15
<i>Utilimaster Quick Reference Parts Guide</i>	15
<i>Utilimaster Glossary of Terms</i>	15
<i>Download Files</i>	15
<i>Contact Utilimaster</i>	15

<i>Diagrams and Parts Lists</i>	16
1—Chassis	16
1—Chassis, Rear Bumper Options	20
2—Front Cab Floor	22
3—Cargo Floor	28
4—Cowling, 5.9L Engine	32
4—Cowling, 4.3L Mercedes Engine	36
4—Cowling, 3.9L Mechanical (4BT) Engine	38
4—Cowling, 3.9L Electronic (ISB) Engine	40
5—Front Structure	42
6—Hood, RIM	52
6—Hood, Fiberglass	58
6—Hood, Aluminum	62
7—Wiper System	64
8—Dash	68
9—Heat (Only) System	72
9—Heating and Air Conditioning System	78
10—Cab Matting, Ribbed	82
10—Cab Matting, Standard Heavy-duty	84
10—Cab Matting, Die-cut Heavy-duty	88
11—Seating, Standard	92
11—Seating, Jump	96
12—Doors, Side Sliding	98
12—Doors, Side Sedan	102
12—Doorless Panel with Roll-up Window	104
13—Cab Decals and Options	108
14—Bulkhead, Aluminum	110
14—Bulkhead, Blandex	116
14—Bulkhead, Surge Bars	118

15—Sidewalls	120
16—Rear Structure, Narrow Swing Doors	124
16—Rear Structure, Full Swing Doors	130
16—Rear Structure, Narrow Roll-up Door.....	134
16—Rear Structure, Full Roll-up Door	138
16—Rear Structure, Full Roll-up Door with Wide Post Option	140
17—Door, Rear Roll-up	144
17—Doors, Rear Swing	148
18—Cargo Shelving Option, Fold-up	152
18—Cargo Shelving Option, Laundry Racks	156
19—Roof	158
20—Positive Pressure System.....	162
21—Electrical Harnesses	164
21—Electrical Options.....	168
Appendixes	170
06914922—Bulkhead Panels.....	170
51231192—Chassis Risers	171
51231196—Fitzpatrick Bumpers	171
51231207—Chassis Risers.....	172
51231252—Fitzpatrick Bumpers	173
51231296—Chassis Risers.....	174
54000000—Quarter Panels	175
54231878—Jump Seats.....	176
55230967—Rear Swing Door Metal.....	177
55230969—Rear Roll-up Door Metal	178
55231017—Kickplates	180
Index	181

Introduction

This manual lists parts for Model Year 2000 and beyond walk-in (Aeromaster®) van bodies on Freightliner chassis. This manual also illustrates most parts for Model Years 1996 through 1999, but some part numbers have changed.

It contains exploded-view drawings and parts lists to aid in ordering replacement parts. This manual covers only those assemblies manufactured by or installed by Utilimaster® Corporation. Items such as chassis and drive train components or certain interior furnishings are covered by separate manufacturer-supplied information.



All information, specifications, and illustrations contained in this manual are based on the latest product information available at the time of publication. However, because of the Utilimaster policy of continual product improvement, Utilimaster reserves the right to amend the information in this document at any time without prior notice. Because Utilimaster manufactures many customized vehicle bodies, this manual cannot list and illustrate every possible part in every vehicle. Nevertheless, the most common body options are described here, and Customer Service can help with other options not shown.

Decoding Part Numbers

Finding Part Numbers

This manual contains exploded-view drawings and parts lists for standard factory parts. The drawings illustrate the various parts and their general locations. The parts list accompanying a drawing describes each part and gives the corresponding Utilimaster part number. Some parts may appear on multiple drawings and lists.

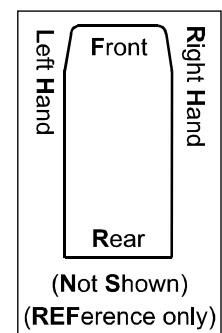
To find a particular part number:

1. Use the Contents or Index pages to find the appropriate section of the manual.
2. Look at the diagram to find the drawing of the part required and note its item number.
3. Look at the parts list and cross-reference the item number to its corresponding description. If the description resembles the required part, note the corresponding Utilimaster part number. If the description does not seem correct, double-check the diagram.

Item Numbers

Drawings have item numbers identifying each part in the drawing:

- Item numbers lead with the section number (e.g., all **12.X** numbers are Side Door parts).
- The item numbers are listed numerically in the parts lists (e.g., **12.1**, **12.2**, **12.3**) followed by the Utilimaster part number and part descriptions.
- The corresponding side of the vehicle (if applicable) is identified by a **RH** (**R**ight **H**and) or **LH** (**L**eft **H**and) suffix. (See the directional icon here and on the parts list pages.)
- A numerical suffix (e.g., **12.1.1**) indicates a part variation, a component of the preceding part, or fasteners for the preceding part.



- Other item number suffixes might indicate vehicle height, width, chassis model number (see Model Numbers section), engine configuration, or other information that specifies that part (e.g., 12.1-**35** or 12.1 **E**).
- Parts that are not shown have the **X.NS** suffix.
- Assembly numbers (**X.Ref**) are listed only for Utilimaster parts representatives to cross-reference.

Part Numbers with a Suffix

A **part number with a suffix** might require you to include more information:

- The **Width** suffix (e.g., 12345678-**W**) is asking for the **body width** (78.50", 86.50", or 93.50").
- The **Height** suffix is asking for the **body height** (73", 81", or 85").
- The **Length** suffix needs the **length of the part** being replaced (the part will need to be measured).
- An **Appendix** suffix requires cross-referencing the number with an appendix in the back of this manual. (See the Table of Contents.)
- A part number with a **CHART** suffix depends on various body options to accurately replace the part, Customer Service will consult your vehicle body options from your supplied Body Serial Number.

In some cases specific part numbers are replaced by a code.

- **Parts Guide** refers to the *Utilimaster Quick Reference Parts Guide*. (See the More Information section in the back of this manual.)
- **BSNR** means the **Body Serial Number is Required**. (See the Utilimaster Body Serial Number section.)
- **DSNR** means the Roll-up **Door Serial Number is Required**. This number is stamped on a metal plate on the interior side of the door.

Our Customer Service Department will gladly help if you need assistance.

Part Descriptions

Two asterisks (**) in front of the part description indicates that this part number is not currently used in Utilimaster production. These parts may take longer to deliver or may be replaced (superseded) by a different part number.

Model Numbers

Utilimaster builds bodies on three Freightliner chassis. Some replacement parts depend on the chassis and/or engine. The fifth and sixth digits in the VIN Number identify the Freightliner model. The seventh and eighth digits identify the engine. Utilimaster model numbers are cross referenced with the Freightliner model numbers and might show up in the description or as an item number suffix. (See the charts below.)

In 2002, Freightliner model changes affected some body parts and options. Our Customer Service Department will gladly help if you need assistance.

VIN Positions 5 and 6 — Model, GVWR			Utilimaster Number	
Code	Model	GVWR	1996–2002	2002–Later
A5	MT 55 Chassis	14,001 to 16,000 Class 4	31	41
AM	MT 35 Chassis	9,001 to 10,000 Class H	32	39
AN	MT 45 Chassis	14,001 to 16,000 Class 4	35	40
AP	MT 45 Chassis	16,001 to 19,500 Class 5	35	40
AR	MT 55 Chassis	19,500 to 26,000 Class 6	31	41
AS	MT 55 Chassis	26,001 to 33,000 Class 7	31	41
BG	MT 55 Chassis	16,001 to 19,500 Class 5	31	41
BH	MT 35 Chassis	10,001 to 14,000 Class 3	32	39
BJ	MT 45 Chassis	10,001 to 14,000 Class 3	35	40

VIN Positions 7 and 8 — Engine, Brakes				
Code	Model	Engine		Brakes
BV	MT 45 and 55	Cummins	5.9 Liter	Air
BW	MT 45 and 55	Cummins	5.9 Liter	Hydraulic
BX	MT 45 and 55	Cummins	5.9 Liter	Air over Hyd
CN	MT 45	MBE-900 Mercedes	4.3 liter	Air
CR	MT 45	MBE-900 Mercedes	4.3 liter	Air over Hyd
C5	MT 35	Cummins	3.9 liter	Air over Hyd
C6	MT 35	Cummins	3.9 liter	Air
C7	MT 35	Cummins	3.9 liter	Hydraulic

Electronic Cummins engines are **Black** in color. Older **Mechanical** Cummins engines are **Tan** in color.

Ordering Parts

How to Order

To order parts for this vehicle, gather the following information:

- **Model and year of vehicle** (200x-*Customer name*).
- **Chassis VIN or Utilimaster Body Number** (see page 14).
- **Complete shipping address.**
- **Preferred method of shipping.**
- **Complete description of all the parts necessary** (see parts lists).
- **Method of payment.**

NOTE: Customer Service prefers payment by Visa, MasterCard, Discover, or American Express credit cards. Purchase Orders from customers with established open accounts are also accepted.



Then contact Utilimaster Customer Service by using one of the following methods:

- **Email** your order to CustSvc@Utilimaster.com. (See Customizable Parts Order Form below.)
- **Fax** your order to **574-862-7637**.
- **Call 800-237-7806** (574-862-3219) and ask for the Parts Department.
- **Mail or express service** your order to the following address:

Utilimaster Corp.
Attn: Parts Department
65528 State Road 19
P.O. Box 585
Wakarusa, IN 46573-0585
U.S.A.

NOTE: When phoning Utilimaster, be aware that our 219 telephone area code changed to 574 in January 2002. The 800 numbers were unaffected.

Returns

To return parts for credit, call the Customer Service Department for prior authorization. All returns must be shipped prepaid freight. A restocking fee will be charged to all returns. Special-order parts are not returnable.

Customizable Parts Order Form

The **Parts Order Form** on the next page can be photocopied from this manual. Then one of the copies can be filled in with the relevant information and then faxed or mailed to Utilimaster Customer Service.

You can also download a customizable form template file from the Utilimaster web site www.utilimaster.com. That template is similar to the form on the next page, but it has a header that you can customize with your name and address. Then, to order parts, you only have to enter the specific information about the vehicle—saving retyping the same address information repeatedly. After completing the form information, the file can be emailed as an attachment. That form can also be used for mailing or faxing.

Service Center Name _____

Address _____

Contact Person _____

City, State, Zip _____

Email _____

Phone _____

Fax _____

To Utilimaster Parts Department
65528 State Road 19, P.O. Box 585
Wakarusa, IN 46573-0585, U.S.A.

FAX 574-862-7637

Date _____

Preferred Shipping _____
(i.e., type of carrier and service priority)

Re Parts Order _____
or Request for Quote Only _____

Credit Card # _____
(or PO# for customers with open accounts)

Special Instructions _____
(e.g., different shipping address)

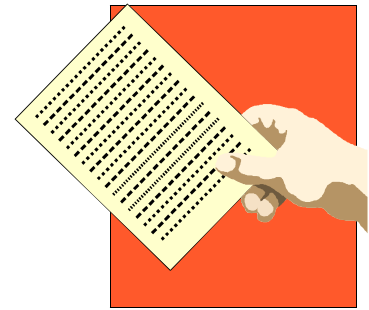
Signature _____
Service center representative's signature

Vehicle Model		Utilimaster Body S/N or Chassis VIN		Application
				Maintenance __ Accident __ or Warranty __
Order Item #	Utilimaster Part Number	Part Description	Quantity	Comments (optional)
1.				
2.				
3.				
4.				
5.				
6.				
7.				
8.				
9.				
10.				
11.				
12.				
13.				
14.				
15.				
16.				

Filing Warranty Claims

If a problem on the Utilimaster body is caused by a defect in materials or workmanship, it will be covered by our Limited Warranty. Chassis, engine, tires, and battery failures are covered by the individual manufacturers.

Claims must meet the requirements listed below. Failure to meet these requirements may result in a denied or delayed claim.



Complete a repair order with the following information:

- **Owner's and/or service facility's name.**
- **Service center representative's signature.**
- **Chassis VIN or Utilimaster Body Serial Number** (see page 14).
- **Date vehicle was repaired.**
- **Mileage at time of failure.**
- **Itemized description of the problem.**
 - Complaint
 - Cause of failure (if known)
 - Correction (describe in detail)
- **Service center labor rate and total time of repair.**
- **Total claim amount, including cost of parts, labor, miscellaneous charges, and sales tax** (if applicable).
- **Your claim or repair order number.**

NOTE: The claim or repair order number is the number used to match Utilimaster payment with the work done. It will be noted on your payment.
- **Utilimaster authorization number** (for repairs costing over \$150 U.S.).

The claim can be mailed, faxed, emailed, or performed on-line on our web site (assuming all required information is included).

- Warranty claims should be **mailed** to:

Utilimaster
Attn: Warranty Department
65528 State Road 19
P.O. Box 585
Wakarusa, IN 46573-0585
U.S.A.

NOTE: When phoning Utilimaster, be aware that our 219 telephone area code changed to 574 in January 2002. The 800 numbers were unaffected.

- Alternately, you can **fax** your claim (if no photographs are involved) with the above information to **574-862-7637**. (The resolution of the received copies must be acceptable, or you will be asked to mail your hard copies.)
- Or you can **email** your claim with the above information to **Warranty@Utilimaster.com**. (You can download a customizable **Warranty Claim Form template** from the Utilimaster web site **www.utilimaster.com**. The template has a header that you can customize with your name and address. Then, to file a claim, you only have to enter the specific information about the vehicle—saving retyping the same address information repeatedly. After completing the form information, the file can be emailed as an attachment. This form can also be used for mailing or faxing.)

Other claim requirements:

- Any repairs **over \$150 U.S. or for structural warranty require prior authorization** from Utilimaster, and that number must appear on the repair order.
- Any claim that is not **legible and complete** will be returned for completion.
- **All paint claims** require pictures, estimates, and prior authorization.
- **Shipping damage claims** also require pictures, estimates, and prior authorization. The damage must also be noted on the Delivery Acceptance form. This form requires the signature of the carrier driver.
- **Sublet work** must have the sublet repair order attached to the service facility's repair order that is being submitted.
- Claims must be **submitted within 30 days** after the repair is completed.

If the return of a failed part is requested, contact a Utilimaster warranty representative for a return goods authorization (RGA). Please reference that number with the returned part and enclose a copy of the repair order. Shipping charges should be entered on the same repair order that is submitted for warranty payment. COD charges for a returned parts will not be accepted, and the part will be returned.

Claims are paid semimonthly. Utilimaster generally does not pay sales tax on claims. If you do not have our tax exemption number on file, please call 800-528-3454 or 574-862-4561 and ask for the accounting department to obtain the number.

Reporting Safety Defects (U.S. Only)

If you believe that your vehicle has a defect that could cause a crash, injury, or death, you should immediately inform the National Highway Traffic Safety Administration (NHTSA), in addition to notifying Utilimaster.

If NHTSA receives similar complaints, it may open an investigation, and if it finds that a safety defect exists in a group of vehicles, it may order a recall and remedy campaign. However, NHTSA cannot become involved in individual problems between you, your dealer, or Utilimaster.

To contact NHTSA, you may either call the Auto Safety Hotline toll-free at **1-800-424-9393**; in the Washington, D.C., area call **202-366-0123** or write to:

**NHTSA
U.S. Department of Transportation
400 Seventh Street
Washington, DC 20590**

You can also obtain other information about motor vehicle safety from the Hotline.

VIN Number

The chassis **Vehicle Identification Number (VIN)** is the legal identifier for this vehicle and is the number recorded in the license plate registration. The VIN appears on a small metal plate in the front corner of the dash on the driver’s side, and you can read the VIN by looking through the windshield. The VIN is also recorded on the Federal Certification Label.



VIN Tag

MANUFACTURED BY:		GVWR 5216 KG (11500 LB)		GAWR		TIRES		RIMS		COLD INFLATION PRESSURE		THIS VEHICLE CONFORMS TO ALL APPLICABLE FEDERAL MOTOR SAFETY STANDARDS IN EFFECT ON THE DATE OF MANUFACTURE SHOWN.	
65906 STATE ROAD 19 P.O. BOX 985 WAKARUSA, INDIANA 46573-9585		FRONT 1925 KG (4400 LB)		REAR 3338 KG (7800 LB)		LT225/75R16E		16X5K		448 KPA (65 PSI)		VEHICLE ID. NO.: 1XXXXXXXXXXXXX66	
DATE OF MANUFACTURE: APRIL 2000		INTERM: N/A KG (N/A LB)		N/A		N/A		N/A		N/A KPA (N/A PSI)		VEHICLE TYPE: TRUCK	
INCOMPLETE VEHICLE MANUFACTURED BY:		N/A		N/A		N/A		N/A		N/A KPA (N/A PSI)		UNIT SERIAL NO.: XXXXXXXXXXXXX1	
DATE INC. VEH. MFD.: FEBRUARY 2000		N/A		N/A		N/A		N/A		N/A KPA (65 PSI)		XXXXXXXXXX3	

Federal Certification Label

Body Serial Number

The **Utilimaster Body (or Unit) Serial Number** is recorded on the Federal Certification Label. This label is a plastic decal (about 11" long and 2" high) that contains a variety of manufacturing information (including the VIN). This label is near the top of the door frame between the driver’s side window and the quarter-panel window.

You will need the VIN or the Body/Unit Serial Number to order parts and make warranty claims.

More Information

Utilimaster Quick Reference Parts Guide

Easily find commonly replaced parts for most Utilimaster vehicles in the *Utilimaster Quick Reference Parts Guide*. This illustrated document includes more part numbers for bumpers, door hardware, electrical components, window glass, heater, air conditioner, hood, mirrors, sun visors, vents, mud flaps, roll-up door parts, seats, wiper, and many other parts. It also includes sealants, window replacement, and other repair kits.

Utilimaster Glossary of Terms

If you are not familiar with some of the terminology used in this manual, you can find many Utilimaster and industry associated terms and definitions in the *Utilimaster Glossary of Terms—Body Information Guide*.

Download Files

You can download the above guides (as Adobe® Acrobat® PDF files) from our web site at www.utilimaster.com. Click on the Ordering Parts button, to access the download page. To view the guide you must have the Adobe Acrobat Reader version 3.0 or higher installed on your computer. Acrobat readers are available free for all leading computer operating systems on the Adobe web site (www.adobe.com).

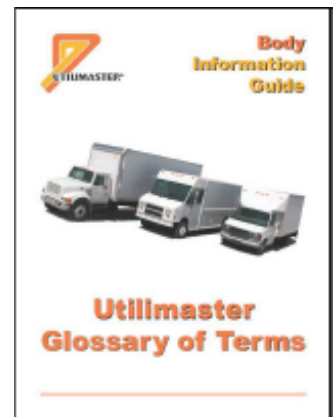
Contact Utilimaster

Browse our site for more information about Utilimaster and its products or contact Utilimaster Customer Service by using one of the following methods:

- Call 800-237-7806 (or 574-862-3219).
- Fax to 574-862-7637.
- Email to CustSvc@Utilimaster.com.
- Mail to the following address:

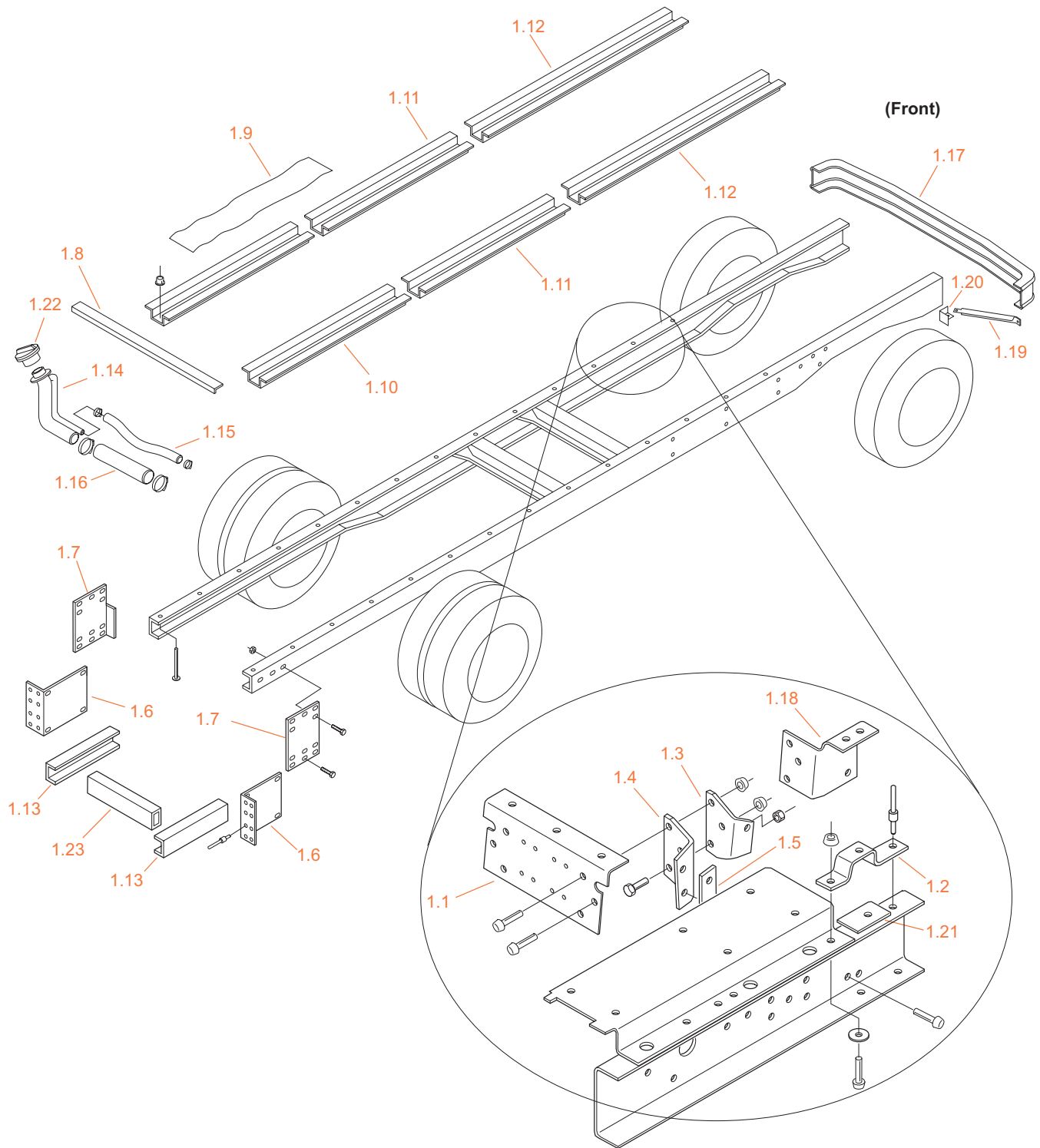
Utilimaster
Attn: Customer Service Department
65528 State Road 19
P.O. Box 585
Wakarusa, IN 46573-0585
U.S.A.

NOTE: When phoning Utilimaster, be aware that our 219 telephone area code changed to 574 in January 2002. The 800 numbers were unaffected.



Diagrams and Parts Lists

1—Chassis



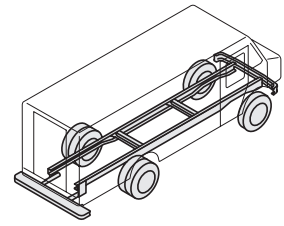
Chassis

Utilimaster, 65528 State Road 19, P.O. Box 585, Wakarusa, IN 46573-0585, U.S.A.

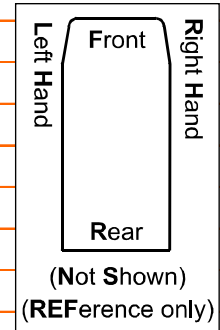
Email CustSvc@Utilimaster.com or Browse the web site www.utilimaster.com.

Call 800-237-7806 (or 574-862-3219) or Fax to 574-862-7637.

(See the Decoding Part Numbers section for Item, Part, and Description codes.)

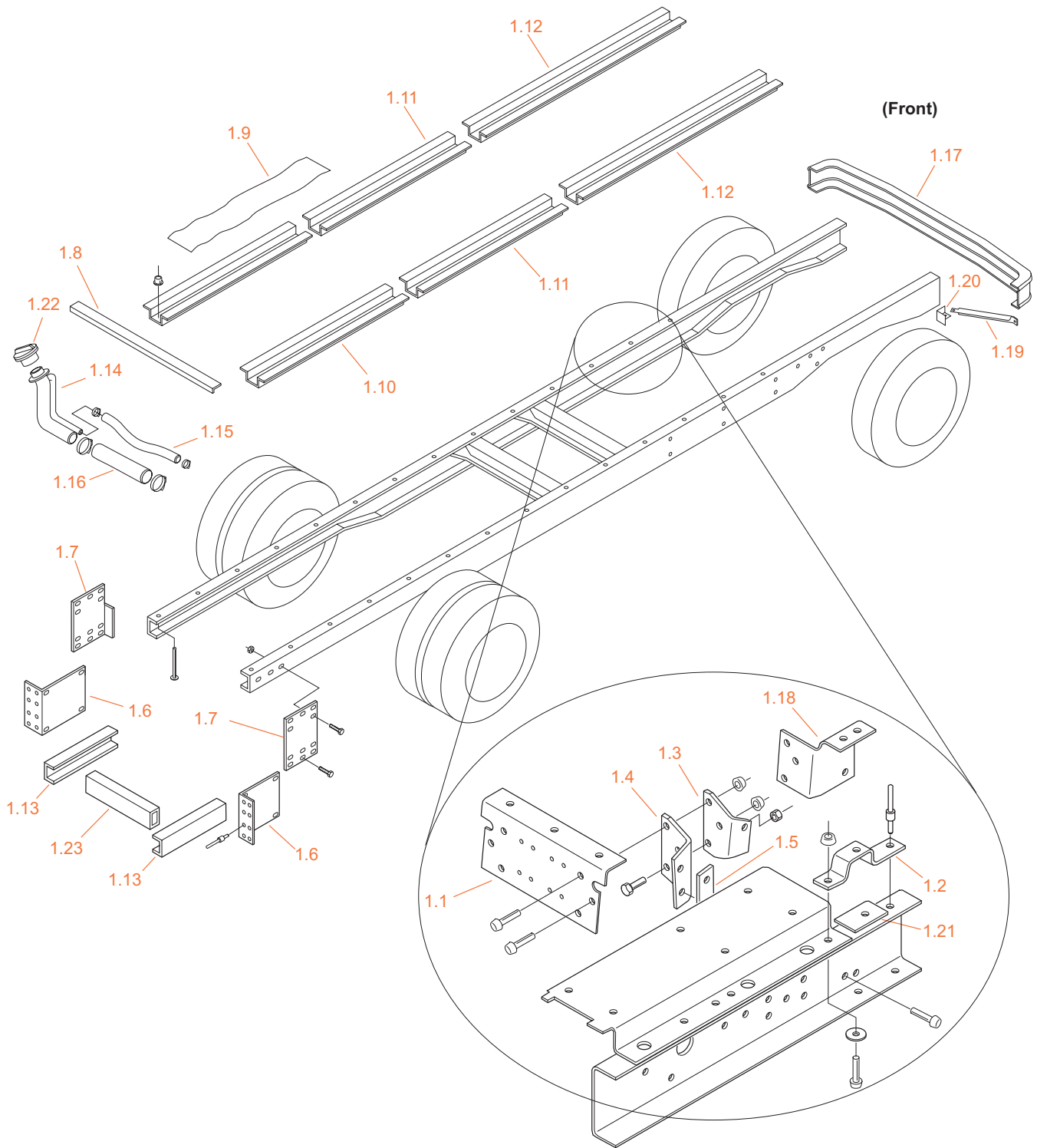


Item	Part Number	Description
1.0-31	51231296	FREIGHTLINER CHASSIS PREP ASSY #31
1.0-32	51231192	FREIGHTLINER CHASSIS PREP ASSY #32
1.0-35	51231207	FREIGHTLINER CHASSIS PREP ASSY #35
1.1	22101972	ANGLE SUPPORT
1.2 LH	22814631	SUPPORT TOE KICK LH
1.2 RH	22814632	SUPPORT TOE KICK RH
1.3 LH	22814440	ANGLE FRT TOE KICK SUPT LH
1.3 RH	22814441	ANGLE FRT TOE KICK SUPT RH
1.4	22817191	ANGLE RR TOE KICK SUPT
1.4 LH-31	22814442	ANGLE RR TOE KICK SUPT LH #31
1.4 RH-31	22814443	ANGLE RR TOE KICK SUPT RH #31
1.5	22814684	SPACER, SUPPORT (SAGINA W GEARS)
1.6 LH	22814005	ANGLE RR STR FRM SPR BMPR LH
1.6 RH	22814004	ANGLE RR STR FRM SPR BMPR RH
1.6.1	22816329	SUPPORT REAR STRUCTURE
1.6.2	22101976	ANGLE RR STR FRM 13" #32, 33
1.7.1 LH	22816178-CHART	SUPPORT BUMPER LH
1.7.1 RH	22816179-CHART	SUPPORT BUMPER RH
1.7.2 LH	22814584	ANGLE RR FRM LH 93.5W
1.7.2 RH	22814585	ANGLE RR FRM RH 93"5W
1.8	22101957	ANGLE RR STR SPRT 48" (Rear Roll-up Door)
1.9	12303705	TAPE VINYL 3" WHITE
1.10-31	Appendix 51231296	RISER REAR FRAME
1.10-32	Appendix 51231192	RISER REAR FRAME
1.10-35	Appendix 51231207	RISER REAR FRAME
1.11-31	Appendix 51231296	RISER MID FRAME
1.11-32	Appendix 51231192	RISER MID FRAME
1.11-35	Appendix 51231207	RISER MID FRAME
1.12-31	Appendix 51231296	RISER FRONT FRAME
1.12-32	Appendix 51231192	RISER FRONT FRAME
1.12-35	Appendix 51231207	RISER FRONT FRAME
1.13	Appendix 51231192	FRAME EXTENSION
1.14.1	01902508	PIPE ASM, FUEL TANK FILL
1.14.2	01902509	PIPE ASM, FUEL FILL DIESEL



Continued

1—Chassis (continued)



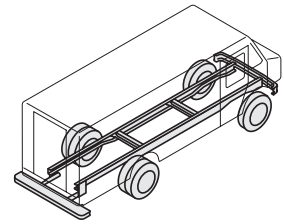
Chassis

Utilimaster, 65528 State Road 19, P.O. Box 585, Wakarusa, IN 46573-0585, U.S.A.

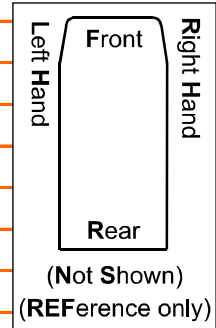
Email CustSvc@Utilimaster.com or Browse the web site www.utilimaster.com.

Call 800-237-7806 (or 574-862-3219) or Fax to 574-862-7637.

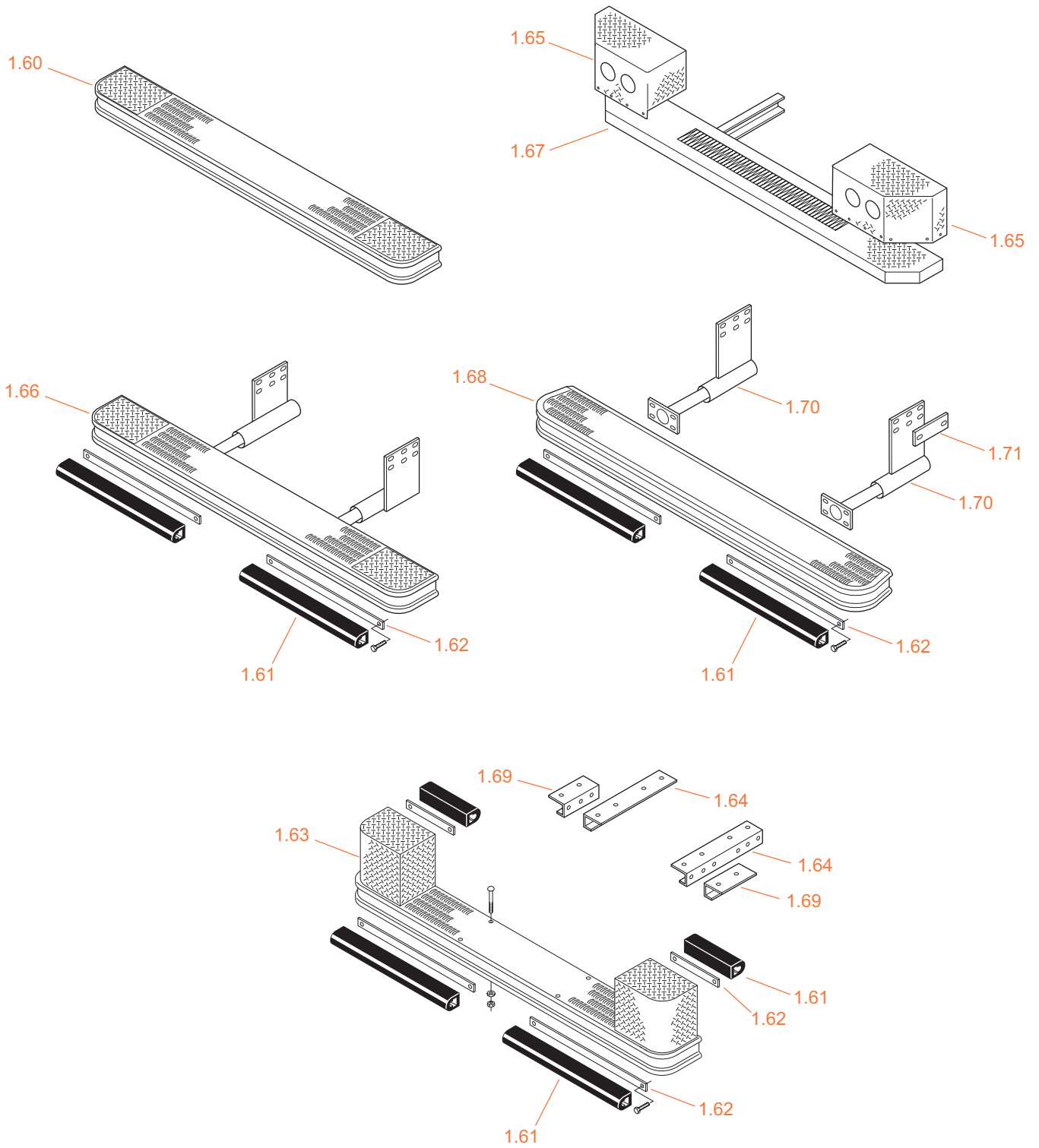
(See the Decoding Part Numbers section for Item, Part, and Description codes.)



Item	Part Number	Description
1.15.0	01400697	HOSE 19/32" GAS VENT
1.15.1	08707557	CLAMP HOSE
1.16.0	01400731	HOSE 13/4 GAS NITRILE
1.16.1	08707505	CLAMP HOSE 1-13/16-2-3/4
1.17-31	Chassis Supplied	BUMPER, FRONT
1.17-32	Parts Guide	BUMPER, FRONT
1.17-35	Chassis Supplied	BUMPER, FRONT
1.18 LH	22814646	SUPPORT ANGLE LH X-MEMBER #32
1.18 RH	22814647	SUPPORT ANGLE RH X-MEMBER #32
1.19 RH	22816597	SUPPORT FRONT BUMPER (RH ONLY) 10GA
1.20	22816598	BRACKET BUMPER SUPPORT MOUNT 7GA
1.21	22814648	SPACER ANGLE XMBR SUPPORT #32
1.22	Chassis Supplied	FUEL FILL CAP
1.23	22250039-04150	TUBE 12GA x 2 x 4 x 41.50
1.NS	08610833	SLEEVE 1/4"COMP OIL PRES Ref 51231455
1.NS	12605910	ANTIFREEZE PURPLE 50/50
1.Ref	51231507	FRAME ANGLE INSTALLATION
1.Ref	51231449	INSTALL FRAME ANGLE CHART #31, 32, 35
1.Ref	64236524	FUEL FILL INSTALL
1.Ref	51231485	INSTAL SUPPORT RH FRT BUMPER
1.Ref	51231455	ROUTING OIL PRESSURE LINE 31, 32, 35



1—Chassis, Rear Bumper Options



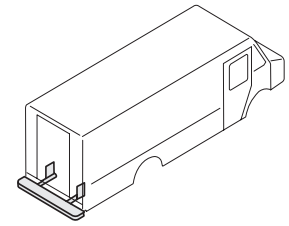
Chassis, Rear Bumper Options

Utilimaster, 65528 State Road 19, P.O. Box 585, Wakarusa, IN 46573-0585, U.S.A.

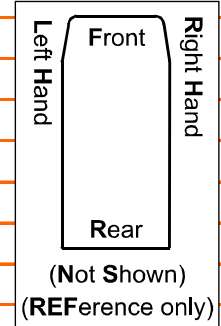
Email CustSvc@Utilimaster.com or Browse the web site www.utilimaster.com.

Call 800-237-7806 (or 574-862-3219) or Fax to 574-862-7637.

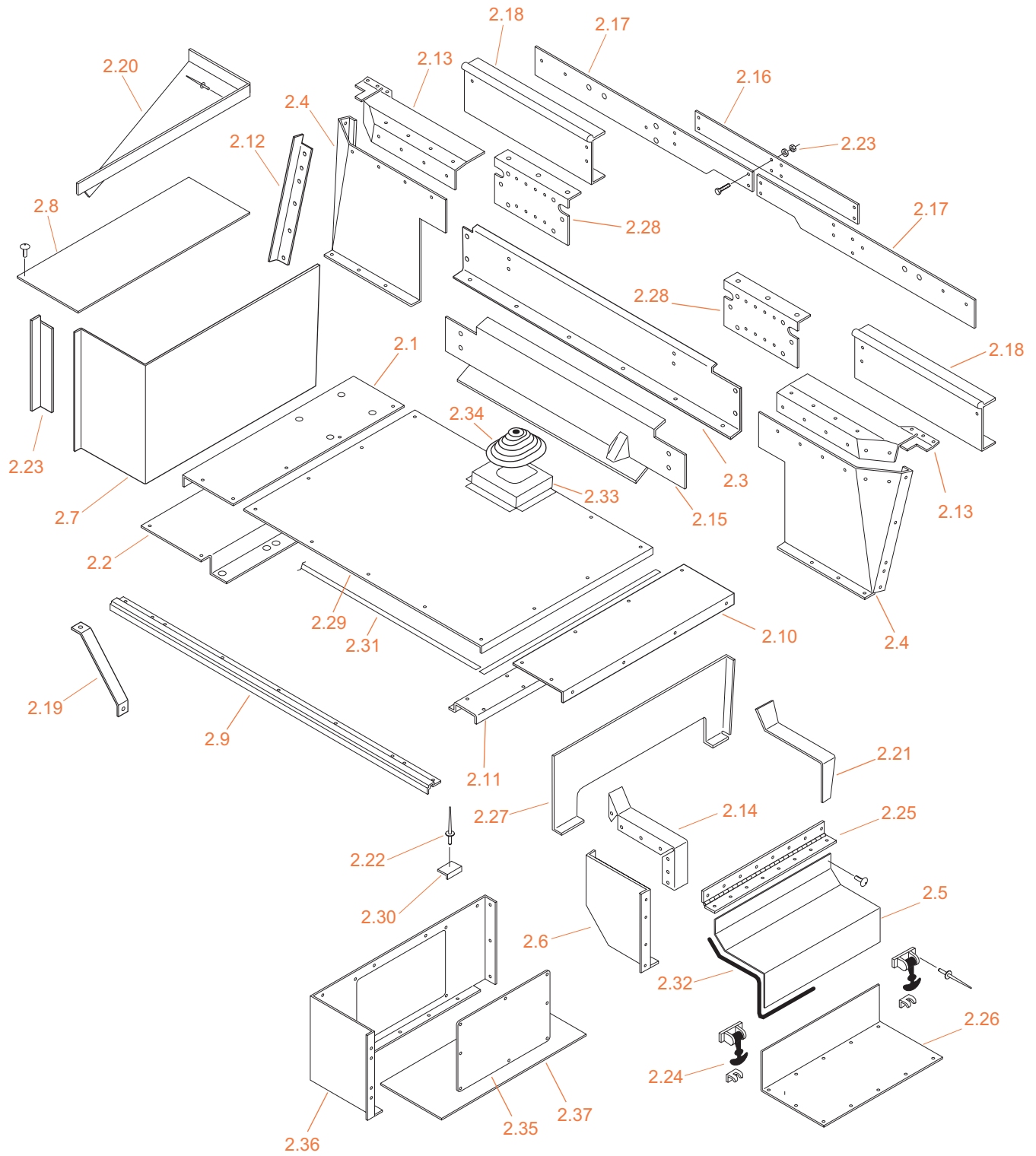
(See the Decoding Part Numbers section for Item, Part, and Description codes.)



Item	Part Number	Description
1.60.1	22813479-Width	BUMPER RR G/STRUT 10" (SPECIFY UNIT SIZE)
1.60.2	22813480-Width	BUMPER RR G/STRUT 12" (SPECIFY UNIT SIZE)
1.60.3	01902305-Width	ASY 10" RR G/S BMP W/REC (SPECIFY UNIT SIZE)
1.60.4	01902296-Width	10"G/S BPR REC&KID 2/HLS (SPECIFY UNIT SIZE)
1.61.1	01902173-Width	BUMPER RUBBER DOCK (SPECIFY UNIT SIZE)
1.61.2	01902562	BMPR RBR DOCK HOOD GUIDE 4.5"
1.61.3	01102890	BUMPER RUBBER D 2" x 12"
1.61.4	20510155	BUMPER RUBBER DOCK 2" x 30"L
1.61.5	20510672	BUMPER RUBBER DOCK 2"x30"L 45*BE
1.61.6	20510708	BUMPER RUBBER DOCK 93"
1.62-L	06917212-Length	WASHER RIBBON (SPECIFY LENGTH)
1.62-11	06921319	ALUM .063 x .88 x 11.5
1.62-29	06921320	ALUM .063 x .88 x 29.5
1.63	22813928-Width	BMPR 12" GS W/2HL KID (SPECIFY UNIT SIZE)
1.64.1	22813921	CHNL BMPR 10GA x 1 x 3 x 4 x 24 HLS
1.64.2	22817112	CHNL BMPR 7GA 1 x 3 x 4 x 24 HOLES
1.65.1 LH	22813540	KIDNEY WLDMT 8" BUMPER LH
1.65.1 RH	22813541	KIDNEY WLDMT 8" BUMPER RH
1.65.2 LH	22813504	KIDNEY WLDMT 8" BUMPER LH W/2LTS
1.65.2 RH	22813503	KIDNEY WLDMT 8" BUMPER RH W/2LTS
1.66.1	Appendix 51231252	BUMPER 10" FITZPATRICK CHART (SPECIFY UNIT SIZE)
1.66.2	51231196-CHART	BUMPER 12" FITZPATRICK CHART (SPECIFY UNIT SIZE)
1.67.1	51231231-Width	BMPR WLDMT 9" W/GS INS PTD (SPECIFY UNIT SIZE)
1.67.2	51231225-Width	BUMPER WLDMT 8"STEP PNTD (SPECIFY UNIT SIZE)
1.67.3	51231233-Width	BMPR WLDMT 12" W/GS INS PTD (SPECIFY UNIT SIZE)
1.67.4	51231229-Width	BUMPER WLDMT 12" STEP PTD (SPECIFY UNIT SIZE)
1.68	01903014-Width	BUMPER 10"G/STRUT SHOCK MTG (SPECIFY UNIT SIZE)
1.69.1	22817113	CHNL BMPR 7GA 1 x 3 x 4 x 14 HOLES
1.69.2	22817114	CHNL BMPR 7GA 1 x 3 x 4 x 10 HOLES
1.70	01903015	BRKT BUMPER MNT W/SHOCK ABSORBER
1.71	22817254	SPACER BUMPER .25 x 4 x 10.5
1.Ref	51231527	DOCK BUMPER ASSEMBLY REAR CHART
1.Ref	51231489	INSTALL SHOCK ABSORB BMPR CHT ALL
1.Ref	55231303	INSTL VISE HOLDER BUMPER MOUNT
1.Ref	51231537	INSTL REAR BUMPER CHANNEL
1.Ref	51231420	BMPR ASY RUBBER DOCK



2—Front Cab Floor



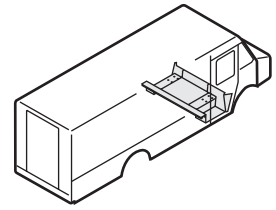
Front Cab Floor

Utilimaster, 65528 State Road 19, P.O. Box 585, Wakarusa, IN 46573-0585, U.S.A.

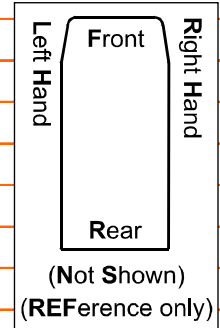
Email CustSvc@Utilimaster.com or Browse the web site www.utilimaster.com.

Call 800-237-7806 (or 574-862-3219) or Fax to 574-862-7637.

(See the Decoding Part Numbers section for Item, Part, and Description codes.)

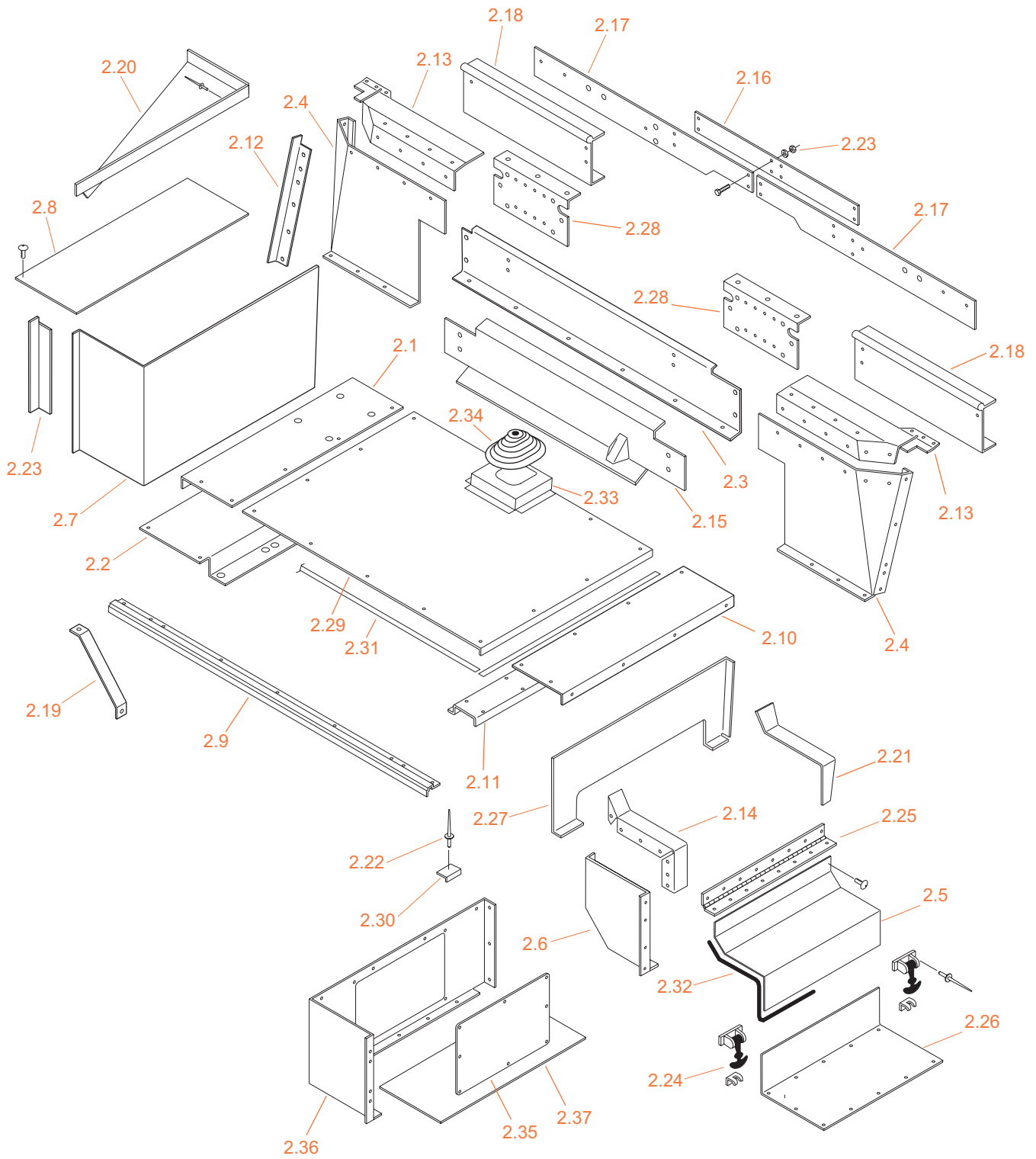


Item	Part Number	Description
2.0		FRONT CAB FLOOR ASSY
2.1.1	06601734	FLR CAB LH .100 SMOOTH #32-36
2.1.2	06601731	FLR CAB LH .100 T P #32-36
2.2-32	BSNR	SEATMOUNT LH
2.2-35	22813651	SEATMOUNT LH 7GA
2.3	06916362	FILLER LWR ENG CVR #35
2.4.1 LH	06915762-Width	SW FRONT LH
2.4.2 LH	06631376-Width	SW FRONT LH #32,33
2.4.1 RH	06916487-Width	SW FRONT RH
2.4.2 RH	06631375-Width	SW FRONT RH
2.5.1	01902608	LID BAT ACC RH TP WD WL #31 #35
2.5.2	06916495	LID BATT ACC RH TRDP #30, 32-35
2.5.3	06916550	LID BATTERY ACCESS RH SM 32-35
2.5.4	06924375	LID BAT ACS RH SM
2.5.5	06924374	LID BAT ACS RH TPL #30,31,32,33,35
2.6	06916489-Width	SW END RH #30-35
2.7.1	06916252-Width	SW BACK & END LH 4" LWR 32-35
2.7.2	06601728-Width	SW BACK & END LH #32, 33, 36
2.8.1	06900499-Width	SWELL BOTTOM T/P #32, 33
2.8.2	01902107-Width	SW/BTM WLD 4" L SM LH #32
2.8.3	01902238-Width	SW BOTTOM DRLESS #32-33
2.8.4	01902240-Width	SWELL BOTTOM DRLESS #35
2.9	06003895	IA 7921 FRT FLR SPRT 46.75 06003895
2.10.1	06916551	FLR CAB RH TRDPL
2.10.2	06916554	FLR CAB RH SMOOTH W/JUMP SEAT
2.10.3	06916552	FLR CAB RH SMTH W/SEAT
2.10.4	06916553	FLR CAB RH SMOOTH
2.10.5	06916484	CAB FLR RH TRDPL W/SEAT
2.10.6	06916486	CAB FLR RH TRDPL W/JUMP SEAT
2.10.7	06601736	FLR CAB RH SMOOTH #32-36
2.10.8	06601733	FLR CAB RH TP #32-36
2.10.9	06601732	FLR CAB RH TP W/SEAT #32-36
2.10.10	06601735	FLR CAB RH SM W/SEAT #32, 33, 36



Continued

2—Front Cab Floor (continued)



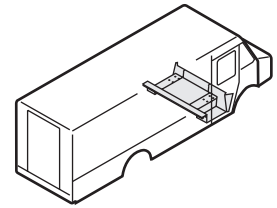
Front Cab Floor

Utilimaster, 65528 State Road 19, P.O. Box 585, Wakarusa, IN 46573-0585, U.S.A.

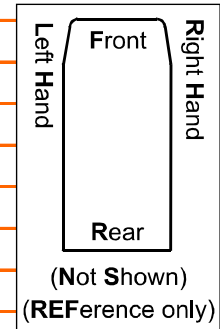
Email CustSvc@Utilimaster.com or Browse the web site www.utilimaster.com.

Call 800-237-7806 (or 574-862-3219) or Fax to 574-862-7637.

(See the Decoding Part Numbers section for Item, Part, and Description codes.)

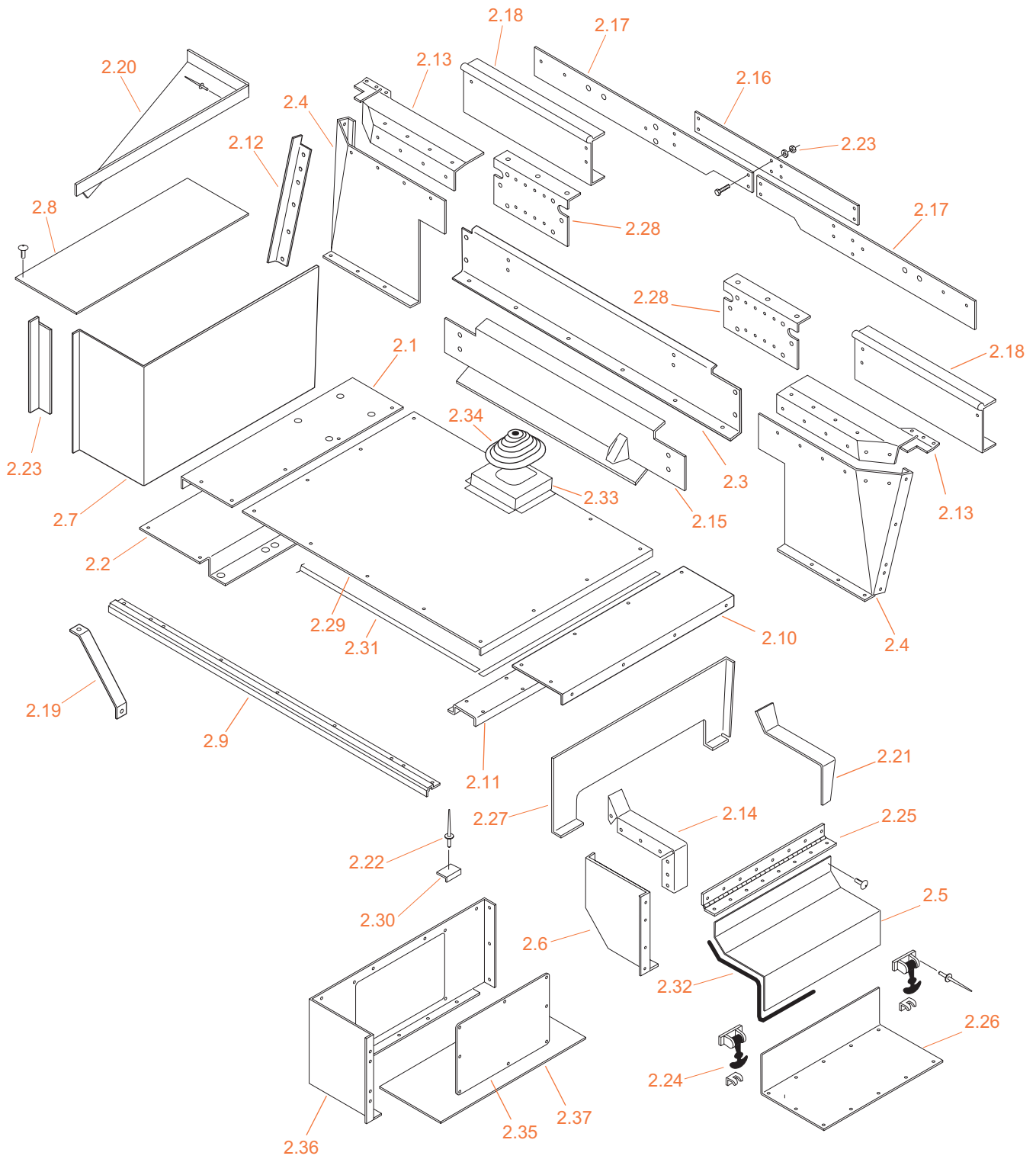


Item	Part Number	Description
2.11.1	22813742	SEATMOUNT RH 4"LWR
2.11.2	22813650	SEATMOUNT RH 7GA
2.11.3	22815263	MOUNT CAB FLR RH DP STP
2.12	06916161	ANGLE SWELL 4"LWR LH #32,33,35
2.13.1 LH	06916140	CAP S/WELL LH #35 or #31
2.13.1 RH	06916139	CAP S/WELL RH #35 or #31
2.13.2 LH	06631351	CAP STEPWELL LH MED,30,31
2.13.2 RH	06631352	CAP STEPWELL RH MED,30,31
2.13.3 LH	06915950-Width	CAP S/WELL LH #32
2.13.3 RH	06631367	STEPWELL CAP RH #32,33
2.14.1	01902602	ANGLE RR S/WELL RH WD WL #35
2.14.2	06916491	ANGLE FRM S/WELL RR RH 30,32-35
2.15.1	06916945	COVER CROSSMEMBER EATON #32
2.15.2	06916116	COVER CROSSMEMBER AUTO #33 & 32
2.15.3	06918327	CVR WLDMT CROSSMEMBER #35
2.15.4	06915938	CVR WLDMT CROSSMEMBER #35
2.16	22101994	CROSSMEMBER CENTER
2.17	22101995-Width	CROSSMEMBER SIDE
2.18 LH	06916098-Width	XMEMBER LH #35 06003873
2.18 RH	06916097-Width	XMEMBER RH 06003873
2.19	22814258-Chart	STRAP BOSTRAM PED STL 4"LWR
2.20.1	06918136	STEP INT 86.5W LH SMTH
2.20.2	06918135	STEP INT 93.5W LH SMTH
2.20.3	06918134	STEP INT 93.5 LH TPLT #31-35
2.20.4	06917407	STEP INT 86.5 LH TRDPL #31-35
2.21.1	06916490	ANGLE FRM S/WELL FRT RH #32-35
2.21.2	01902605	ANGLE FRT S/WELL RH WD WL #35
2.22	11400600	RIVET AVEX 3/16 x 3/8
2.23	06601779	FILLER PLT DD/SDN LH #32, 33, 36
2.24	08700576	HOLDOWN FLEXIBLE RUBBER
2.25	08705163	HINGE .093 x 3" x 24.75" SS PIN



Continued

2—Front Cab Floor (continued)



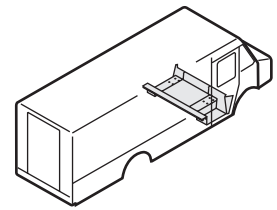
Front Cab Floor

Utilimaster, 65528 State Road 19, P.O. Box 585, Wakarusa, IN 46573-0585, U.S.A.

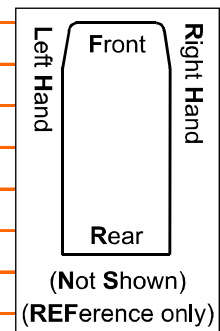
Email CustSvc@Utilimaster.com or Browse the web site www.utilimaster.com.

Call 800-237-7806 (or 574-862-3219) or Fax to 574-862-7637.

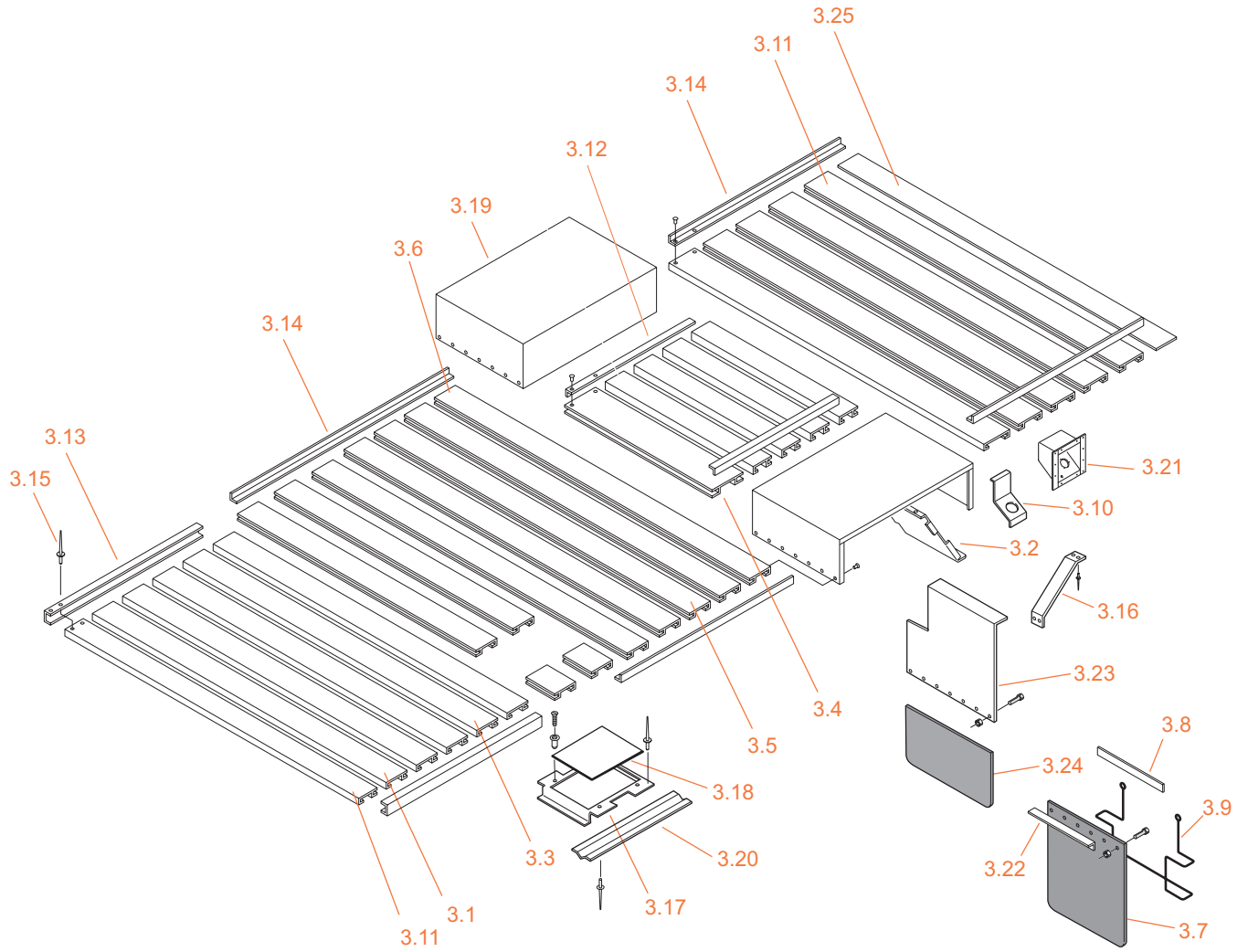
(See the Decoding Part Numbers section for Item, Part, and Description codes.)



Item	Part Number	Description
2.26.1	06916549-Width	S/W BTM RH SMOOTH 4" LWR
2.26.2	06916494-Width	S/W BTM RH TRDPL 4" LWR
2.27.1	06916488	S/W BACK RH 4" LWR
2.27.2	01902606	S/WEL BCK RH DP STP WD WL #31 #35
2.28	22101972	ANGLE SUPPORT
2.29.1	06925150	ASSY COVER TRANS SMOOTH ST 1P SEDAN AUTO #31, 35
2.29.2	06916941	COVER XMSN TRDPL EATON 5SP #32
2.29.3	06918119	CVR XMSN TP EATON 5SP W/SP #32
2.29.4	06919312	WELDMNT XMSN COV SM DEEP STEP #31, 35
2.29.5	06919313	CVR ASY XMSN TP DEEP STP #31, 35
2.29.6	BSNR	WELDMNT XMSN COV SM DEEP STEP
2.30	06003903-00200	IA5028 ANGLE 2.00 06003903
2.31	12300537	TAPE BLK 1/16 x 1" x 54'
2.32	05402183	SEAL "D" .375 x .625
2.33.1	06916967	MOUNT WLDMT SHIFTER BOOT #35
2.33.2	06916936	MOUNT WLDMT SHIFTER BOOT #32
2.34	01102401	BOOT SHIFTER STD E3HT 7B 118DA
2.35	01902402	COVER ASY BATTERY #32, 33, 36
2.36	01902396	SW BACK & END W/BAT RH CHART
2.37	06915309	SWELL BTM CHART SMOOTH #32, 33
2.NS	12400712	SIKAFLEX ALUM 11 FL OZ 221
2.Ref	52233279	BAT ACS LID ASSY 4" LWR CHT
2.Ref	01902698-Width	SWELL ASY LH 86.5W DRLS #31 35
2.Ref	06918158	SW ASY RH 4"LWR SM 86.5 #31-35
2.Ref	06916555-Width	SWELL ASY RH 4"LWR W 31-35
2.Ref	01902642-Width	SWELL ASY LH DRLS #32 33
2.Ref	01902628-Width	S/WL ASY RH W/BAT TP 78W 32-33
2.Ref	06918159	STEPWELL LH ASSY 4" LOWER SM CHART
2.Ref	52232782	** ASY RH BAT ACCESS 4"LWR TRDPLT
2.Ref	52232840	INSTALL S/WELL BKR ANGLE #30-36
2.Ref	52232781	ASY RH BAT ACCESS 4"LWR SMOOTH



3—Cargo Floor



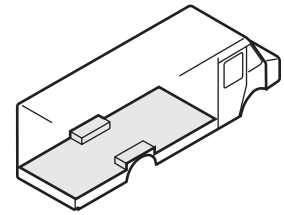
Cargo Floor

Utilimaster, 65528 State Road 19, P.O. Box 585, Wakarusa, IN 46573-0585, U.S.A.

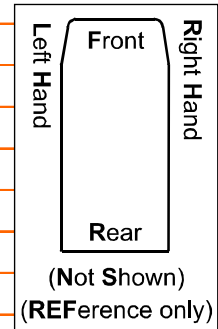
Email CustSvc@Utilimaster.com or Browse the web site www.utilimaster.com.

Call 800-237-7806 (or 574-862-3219) or Fax to 574-862-7637.

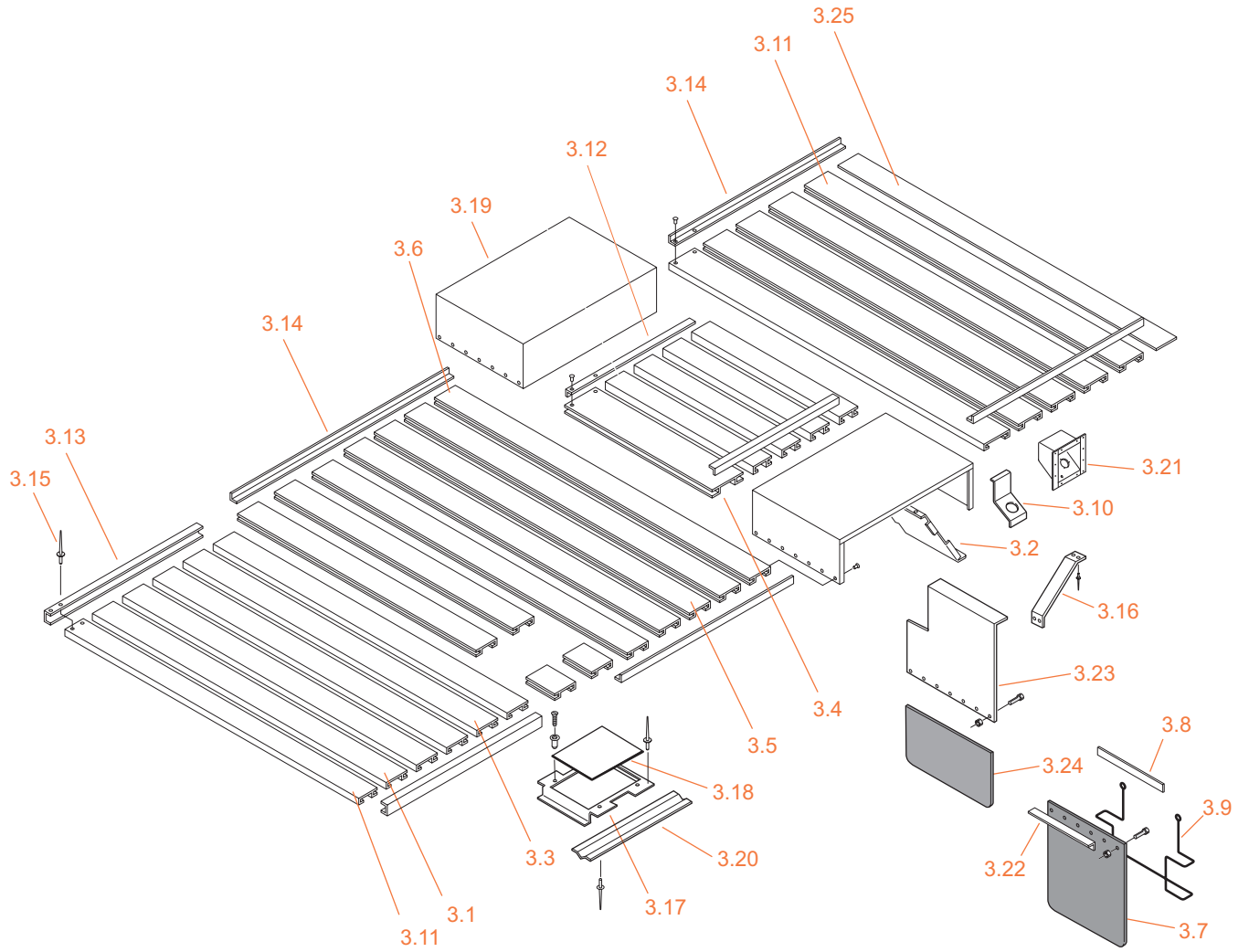
(See the Decoding Part Numbers section for Item, Part, and Description codes.)



Item	Part Number	Description
3.0		FLOOR ASSY
3.1.1	06003884-09331	AE 6" FLOOR 93.31 06003884
3.1.2	06000738-09044	AE 6" FL RIBBED 90.44 06000738
3.2	06918163-Width	SHIELD FUEL FILL #32
3.3.1	06003886-09331	IA 7852 8" FLR 93.31 06003886
3.3.2	06000740-09331	AE 8" FLOOR RIBBED 93.31 06000740
3.4.1	06003888-05050	IA 7854 DM FLR 50.50 06003888
3.4.2	06000742-05806	AE DM FLR RIBBED 58.06 06000742
3.5.1	06003885-09331	AE 7" FLOOR 93.31 06003885
3.5.2	06000739-09331	AE 7" FL RIBBED 93.31 06000739
3.6.1	06003887-09331	IA 7853 WW FLR 93.31 06003887
3.6.2	06000741-09331	AE WW FLR RIBBED 93.31 06000741
3.7	01505069	M/FLAP 18 PLAIN
3.8	22000724	PLATE 12GA x 1.5 x 17 HLS
3.9	01520043	ANTI SAIL BRKT
3.10.1	06919625	BRKT MNTG FUEL FILL #31, 32, 35
3.10.2	06918951	**BRKT FUEL FILL FRTLNR #31, 32, 35
3.11.1	06003889-09331	IA 7855 SF FLOOR 93.31 06003889
3.11.2	06000743-09331	AE ST/FIN RIBBED 93.31 06000743
3.12	06002048-Length	IA 3299 ANGLE 06002048
3.13	06000185-03950	AE DP/FLOOR 39.50 06000185
3.14	06002049-Length	IA 2072 ANGLE 06002049
3.15	11400024	MAGNA-LOCK 1/4" STL
3.16.1	06917566	BRACE MUD FLAP
3.16.2	06922457	BRACE MUD FLAP
3.17	06916677	BRKT FUEL SENDING UNIT
3.18.1	52232787	COVER WLDMT ACCESS
3.18.2	52232801	COVER TP ACCESS ASSY #30, 32, 35
3.18.3	52233144	COVER WLDMT FUEL SNDG ACS
3.18.4	52233209	** COVER WLDMT FUEL ACCESS
3.19.1	01902803	WHEEL WELL ASY LOPRO (6.44) 93.5W
3.19.2	01902763-Width	WLDMT WHEELWELL 1-PC .080 STD
3.19.3	01902609-Width	WLDMT W/WELL 1-PC .080 WIDE AISL
3.19.4	01902381-Width	W/W WLDMT WIDE AISLE #32
3.20	22814663	BRACE FUEL FILL ACCESS
3.21	06919623	WLDMT DISH FUEL FILL 31, 32, 35
3.22	22100829	BRKT MUD FLAP



3—Cargo Floor (continued)



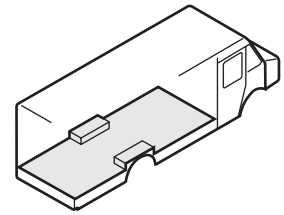
Cargo Floor

Utilimaster, 65528 State Road 19, P.O. Box 585, Wakarusa, IN 46573-0585, U.S.A.

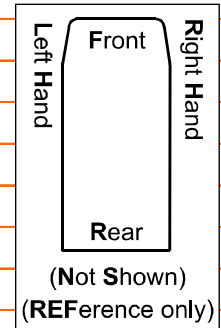
Email CustSvc@Utilimaster.com or Browse the web site www.utilimaster.com.

Call 800-237-7806 (or 574-862-3219) or Fax to 574-862-7637.

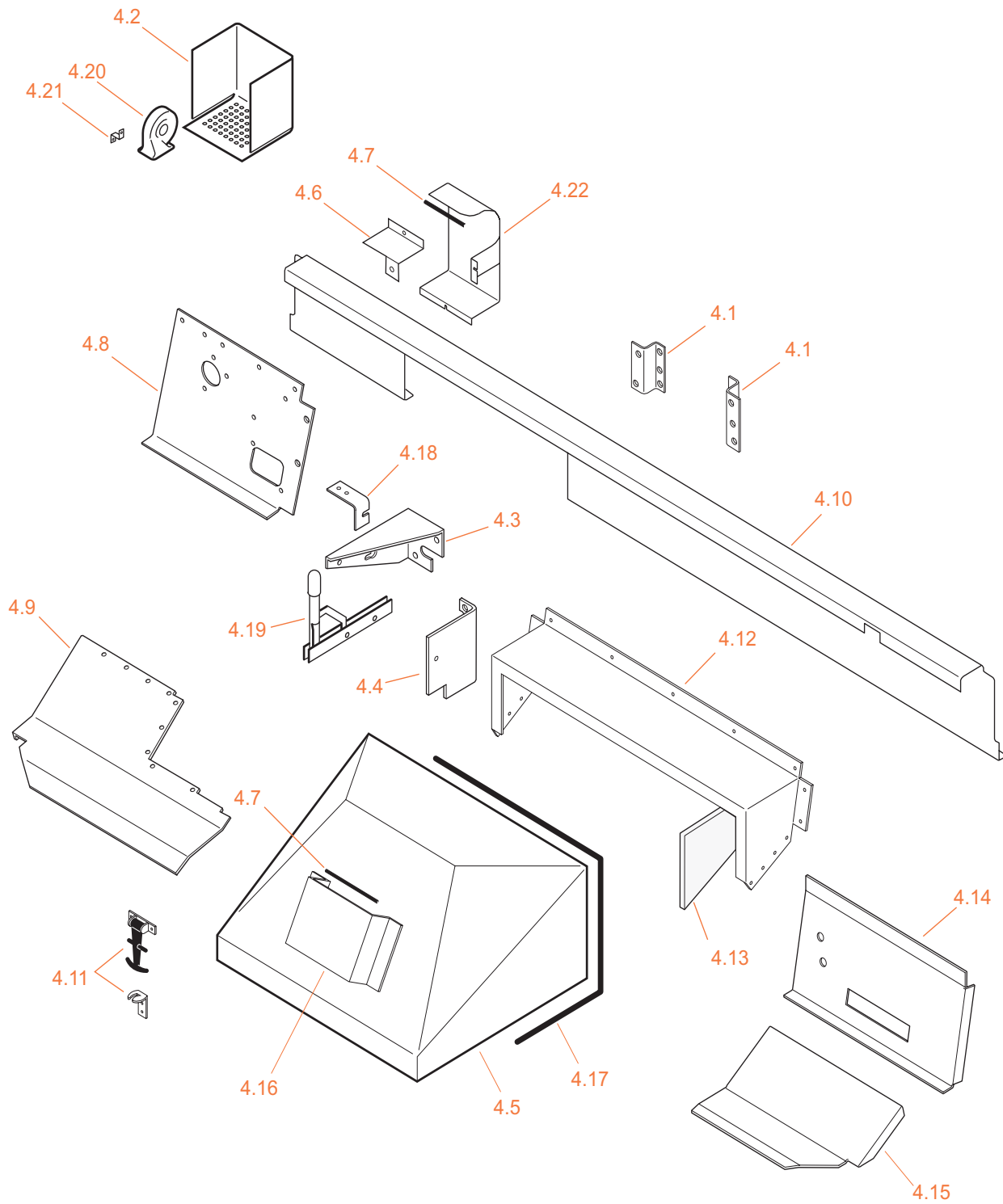
(See the Decoding Part Numbers section for Item, Part, and Description codes.)



Item	Part Number	Description
3.23.1 LH	06920826	BACKER MUD FLAP LH W/SIDE FUEL
3.23.2 LH	06919328	** BACKER MUDFLAP RAILS TO F/TANK
3.23.3 LH	06917005	BACKER MUD FLAP LH #35
3.23.1 RH	06917004	BACKER MUD FLAP RH
3.23.2 RH	06917006	** BACKER MUD FLAP #32, 36
3.24.1	01901684	MUDFLAP SRW 11-3/8 x 12 PLAIN
3.24.2	01800117	MUDFLAP 12 x 18 PLAIN POLY STD
3.25.1	06502878-Width	FLOOR FILLER 9.5"
3.25.2	06502876-Width	FLOOR FILLER 5.5"
3.25.3	06502875-Width	FLOOR FILLER 4.5"
3.NS	12300840	TAPE BUTYL 1/8 x 1-1/4 50' ROLL
3.NS	12301749	TAPE BLACK BTYL 1/16 x 1"
3.NS	12300537	TAPE BLK 1/16 x 1" x 54'
3.NS	12303705	TAPE VINYL 3" WHITE
3.Ref	52232800	COVER TP ACCESS INST #30, 32, 35
3.Ref	52232713	COV ASY FUEL SNDG UNIT #30, 32
3.Ref	52233037	MUD FLAP INSTALL #32, 35
3.Ref	64236526	MUD FLAP ASY CHART #30, 31, 35
3.Ref	52233007	MUD FLAP INSTALL #30, 31, 35
3.Ref	52232777	MUD FLAP INSTALL #32, 35
3.Ref	06919765-CHART	CUTOUT 8" RIB FLR PLANK
3.Ref	52232713	COV ASY FUEL SNDG UNIT



4—Cowling, 5.9L Engine



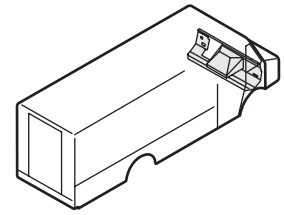
Cowling, 5.9L Engine

Utilimaster, 65528 State Road 19, P.O. Box 585, Wakarusa, IN 46573-0585, U.S.A.

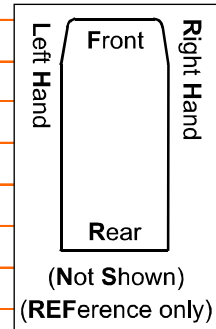
Email CustSvc@Utilimaster.com or Browse the web site www.utilimaster.com.

Call 800-237-7806 (or 574-862-3219) or Fax to 574-862-7637.

(See the Decoding Part Numbers section for Item, Part, and Description codes.)

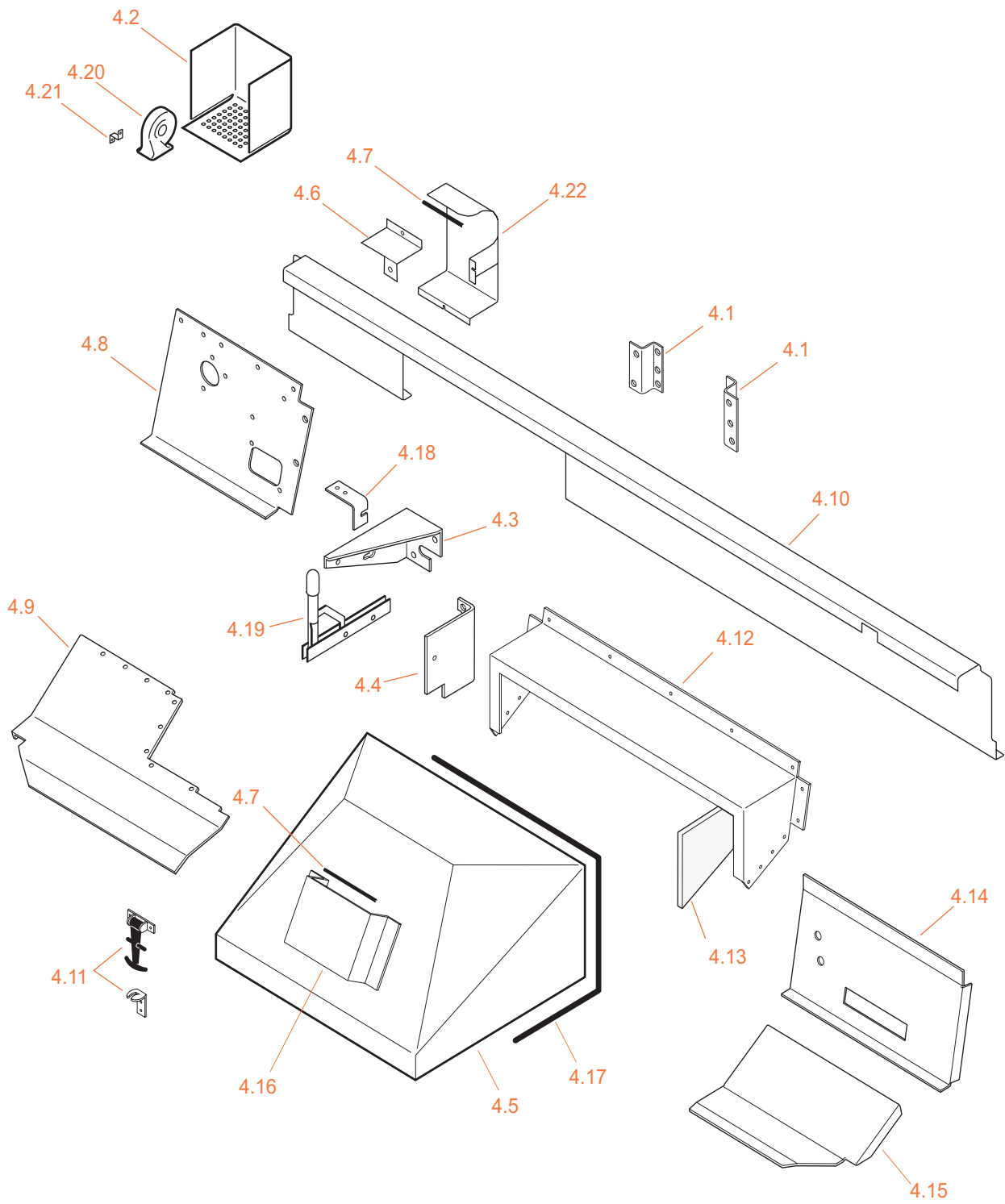


Item	Part Number	Description
4.0		FREIGHTLINER COWL AND ENGINE COVER
4.1 LH	22815087	BRKT RELAY LH
4.1 RH	22815088	BRKT RELAY RH
4.2	06919224	MOUNT HORN (Keyless)
4.3.1	22816412	BRKT PARK BRAKE 86.5 (A-1000 Trans)
4.3.2	22814014	** BRKT PRKNG BRAKE 93.5W #32, 35
4.3.3	22816614	BRKT PARK BRAKE 4.38x1.13 #31, 32, 35
4.4.1	06919937	FILLER STEERING ISLAND ISB
4.4.2	06919938	FILLER STEERING ISLAND #35 ISB
4.5.1	06631391	CVR WLDMT ENGINE #35
4.5.2	54232203-CHART	COV ASY ENGINE W/CARPET #32
4.5.3	06920216	WLDMT COVER ENGINE #35
4.6	06921517	SUPT FUSE BCK COV BRAKE (A-1000 Trans)
4.7	05302302	TRIM LOCK BLK 1/8" W/ALUM INST
4.8.1	06919835-Width	COWL METAL LH #35 W/ISB FEDX
4.8.2	06918946-Width	MTL COWL LH #31, 35 ISB
4.8.3	06923459-Width	METAL COWL LH LOWER
4.9	06916302-Width	RISER FLR LH #35
4.10.1	06917392-CHART	** CHNL UPR COWL W/AIR BRAKE
4.10.2	06919067-CHART	** CHNL,UPR COWL W/O AIR BRK
4.10.3	06917387-CHART	** CHANNEL UPR COWL #32
4.10.4	06922206-CHART	COWL CHNL TOP W/O AIR #31, 35
4.11	08700570	LATCH ENG COVER
4.12.1	06916306	COVER TOP ENG FIXED #35
4.12.2	06924513	COVER TOP ENGINE FIXED M2000
4.13	20510267	SND DEADNR DSL
4.14.1	06601650-Width	METAL COWL RH #32, 35, 36 (Heat Only)
4.14.2	06601759-Width	COWL MTL RH W/AC 32, 35, 36
4.14.3	06601759-Width	COWL MTL RH W/AC 32, 35, 36
4.15	06916303-Width	RISER FLR RH #35
4.16.1	06912974	HOLDER DOCUMENT .063 x 2 x 12
4.16.2	06923109	HOLDER DOCUMENT .063 x 3 x 12
4.17	05402168	SEAL



Continued

4—Cowling, 5.9L Engine (continued)



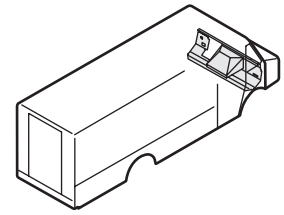
Cowling, 5.9L Engine

Utilimaster, 65528 State Road 19, P.O. Box 585, Wakarusa, IN 46573-0585, U.S.A.

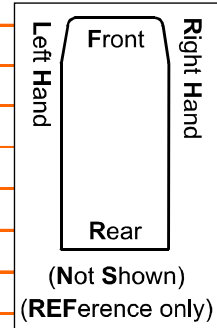
Email CustSvc@Utilimaster.com or Browse the web site www.utilimaster.com.

Call 800-237-7806 (or 574-862-3219) or Fax to 574-862-7637.

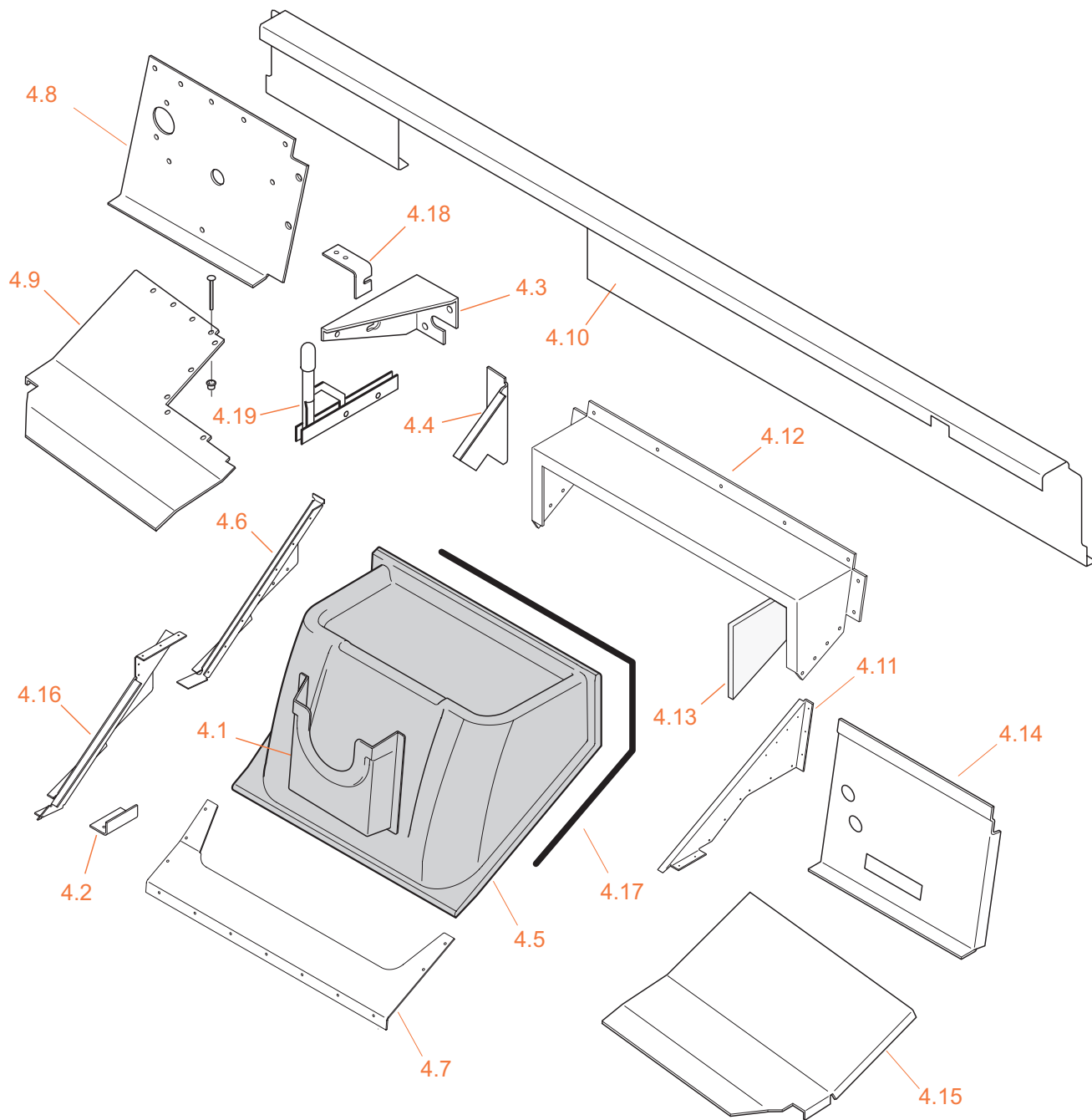
(See the Decoding Part Numbers section for Item, Part, and Description codes.)



Item	Part Number	Description
4.18.1	06921600	SPRT BRKT BRAKE (A-1000 Trans)
4.18.2	06917992	BRAKE HAND SUPT BRKT #32, #35
4.19	Chassis Component	HANDLE, PARK BRAKE
4.20.1	Chassis Component	HORN LOW NOTE
4.20.2	16512555	HORN 125 DECIBELS (KEYLESS)
4.21	06921073	BRKT MOUNT "Z" 1.50 06011300 (Keyless)
4.22.1	06921028	CVR FUSE BLOCK FTLNR (STD TRANS)
4.22.2	06921516	CVR FUSE BLOCK BRAKE (A-1000 Trans)
4.NS	14000625	CARPET, 1 SQ YRD
4.NS	08707404	CLAMP VINYL-COATED 2"
4.NS	17900474	PLENUM SPACER 1" (FUSE COVER)
4.NS	11005664	BOLT HEX 1/4-20 x 3-1/2 (FUSE COVER)
4.NS	11008175	WASHER NEO 1/4 x 5/8 OD (FUSE CVR)
4.NS	20510628	DEADNER SND HVY DTY
4.Ref	54232677	INSTL HORN SECURITY (Keyless)
4.Ref	64236707	INSTALL FUSE BLOCK COVER
4.Ref	64236285	DEADNER LAYOUT COWL
4.Ref	54232223	BRAKE PARKING INSTL
4.Ref	54232112	CVR ASY ENGINE
4.Ref	54232532	ASY INSTL LH FLR RSR/COWL
4.Ref	54232723	INSTL COWL MTD ACS MOD (KEYLESS)
4.Ref	64236054	DOC HOLDER LOCATION
4.Ref	64236822	INSTL FUSE BLOCK & CVR (STD Trans)
4.Ref	64236866	INSTAL FUSE BLK & CVR (A1000 Trans)
4.Ref	54232675	INSTL HORN (KEYLESS)



4—Cowling, 4.3L Mercedes Engine



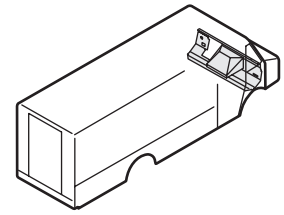
Cowling, 4.3L Mercedes Engine

Utilimaster, 65528 State Road 19, P.O. Box 585, Wakarusa, IN 46573-0585, U.S.A.

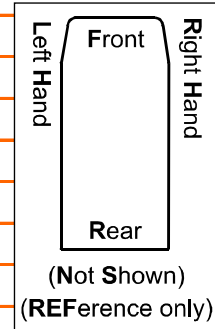
Email CustSvc@Utilimaster.com or Browse the web site www.utilimaster.com.

Call 800-237-7806 (or 574-862-3219) or Fax to 574-862-7637.

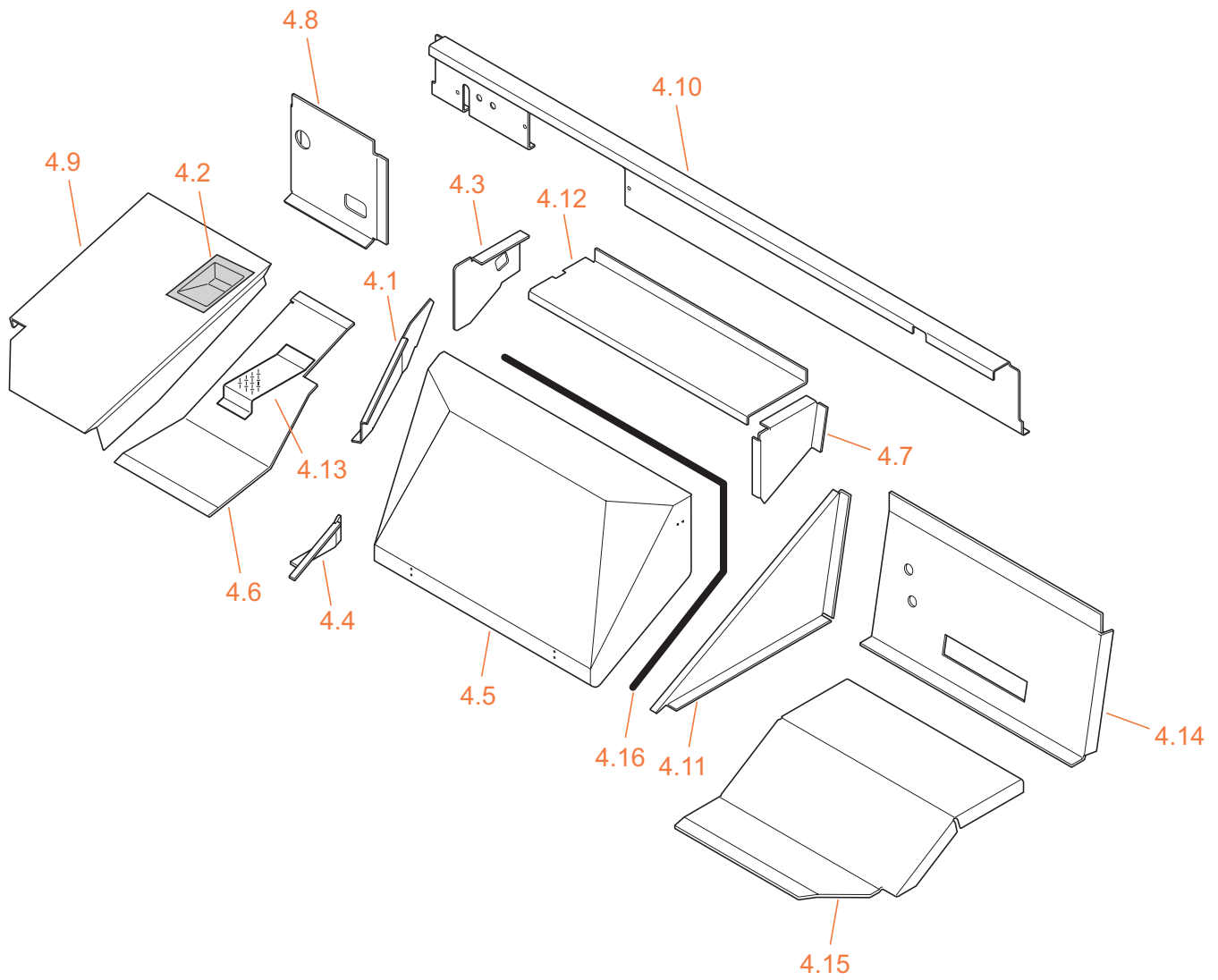
(See the Decoding Part Numbers section for Item, Part, and Description codes.)



Item	Part Number	Description
4.0		COWL ASY ONE PIECE CROSSMEMBER
4.1.0	20510333	HOLDER FORMS
4.1.1	11600505	FASTENER PUSH'N GRIP BLACK
4.2	06922643	ANGLE FIX ENGINE COVER SEALING
4.3	22816615	BRKT PARK BRAKE
4.4.1	06922692	**FILLER ENGINE CVR 1PC XM
4.4.2	06924137	FILLER ENGINE COVER
4.5.0	20510706	ENGINE COVR ASSY F/G DSL
4.5.1	20510720	SOUND DEADNER ENG COVER FGLS #31, 35
4.6.1	06918578	**COVER LH FRT FIXED ENG CVR 1PC/XM
4.6.2	06923419	COVER ENGINE FIXED LH
4.7	06922631	FILLER LOWER ENGINE COVER
4.8.1	06922629-Width	**COWL METAL LH 1PC XM
4.8.2	06923459	METAL COWL LH LOWER CHART
4.9	06922630-Width	RISER FLR LH 1PC XM
4.10	06922528-CHART	COWL MTL TOP 1PC XM
4.11	06922635	COVER ENGINE RH FIXED 1PC XM
4.12.1	06922633	**COVER ENGINE FIXED CENTER 1PC XM
4.12.2	06923418	COVER ENGINE FIXED CENTER
4.13	20510267	SND DEADNR DSL
4.14	06922636-Width	COWL MTL RH 1PC XM
4.15	06922638-Width	RISER FLR RH 1PC XM
4.16	06917761	COVER LH FRT FIXED ENG UPR 1PC XM
4.17	05402168	SEAL
4.18	06921600	BRAKE HAND SUPT BRKT
4.19	Chassis Component	HANDLE, PARK BRAKE
4.NS	12400713	SIKAFLEX BLACK 11 FL OZ
4.NS	12400712	SIKAFLEX ALUM 11 FL OZ
4.Ref	54232816	COVER ASSY ENGINE FGLS
4.Ref	54232794	ASSY FRONT FLOOR



4—Cowling, 3.9L Mechanical (4BT) Engine



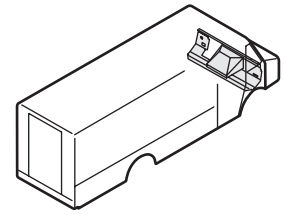
Cowling, 3.9L Mechanical (4BT) Engine

Utilimaster, 65528 State Road 19, P.O. Box 585, Wakarusa, IN 46573-0585, U.S.A.

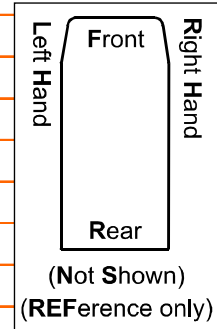
Email CustSvc@Utilimaster.com or Browse the web site www.utilimaster.com.

Call 800-237-7806 (or 574-862-3219) or Fax to 574-862-7637.

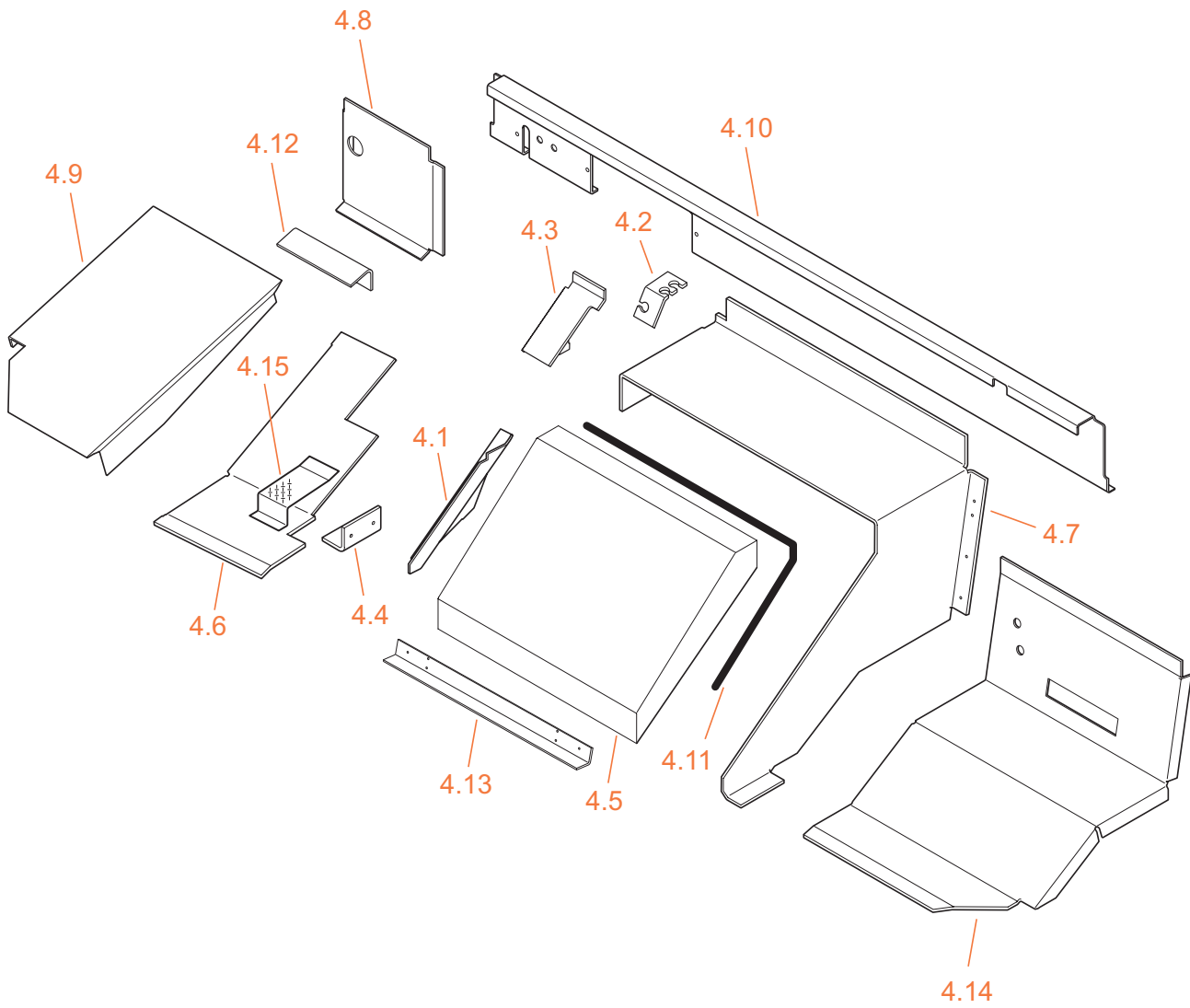
(See the Decoding Part Numbers section for Item, Part, and Description codes.)



Item	Part Number	Description
4.0		COWL ASSY 4BT
4.1	06916844	COVER REAR LH FIXED ENGINE
4.2	20510309	PAN PEDAL RECESS EATON XMSN 32
4.3	06916863	CVR ENG FIXED LH UPPER #32
4.4	06916843	COVER ENGINE FIXED LH LOWER #32
4.5	06917178	COVER WLDMT ENGINE W/O FILM #32
4.6	06916864	RISER FLR CTR LH #32
4.7	06601757	COVER ENG FIXED RH #32
4.8	06915604-Width	METAL, COWL LH #32
4.9	06601651-Width	RISER FLOOR LH B/W AR #32
4.10	06922203-Width	CHANNEL UPPER COWL MANUAL #32
4.11	06601431	COV ENGINE RH FIXED #32,33
4.12	06916866	COVER ENGINE FIXED TOP #32
4.13	06918254	SUPPORT ACCELERATOR FOOT #32
4.14	06601650-Width	METAL COWL RH #32, 35, 36
4.15	06601434-Width	RISER FLR RH #32, 33
4.16	05402168	SEAL
4.NS	12400713	SIKA FLEX BLACK 11 FL OZ
4.NS	12400712	SIKA FLEX ALUM 11 FL OZ



4—Cowling, 3.9L Electronic (ISB) Engine



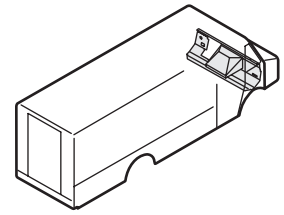
Cowling, 3.9L Electronic (ISB) Engine

Utilimaster, 65528 State Road 19, P.O. Box 585, Wakarusa, IN 46573-0585, U.S.A.

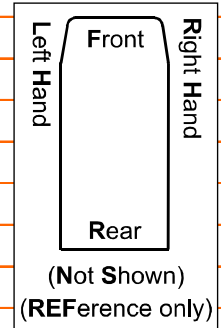
Email CustSvc@Utilimaster.com or Browse the web site www.utilimaster.com.

Call 800-237-7806 (or 574-862-3219) or Fax to 574-862-7637.

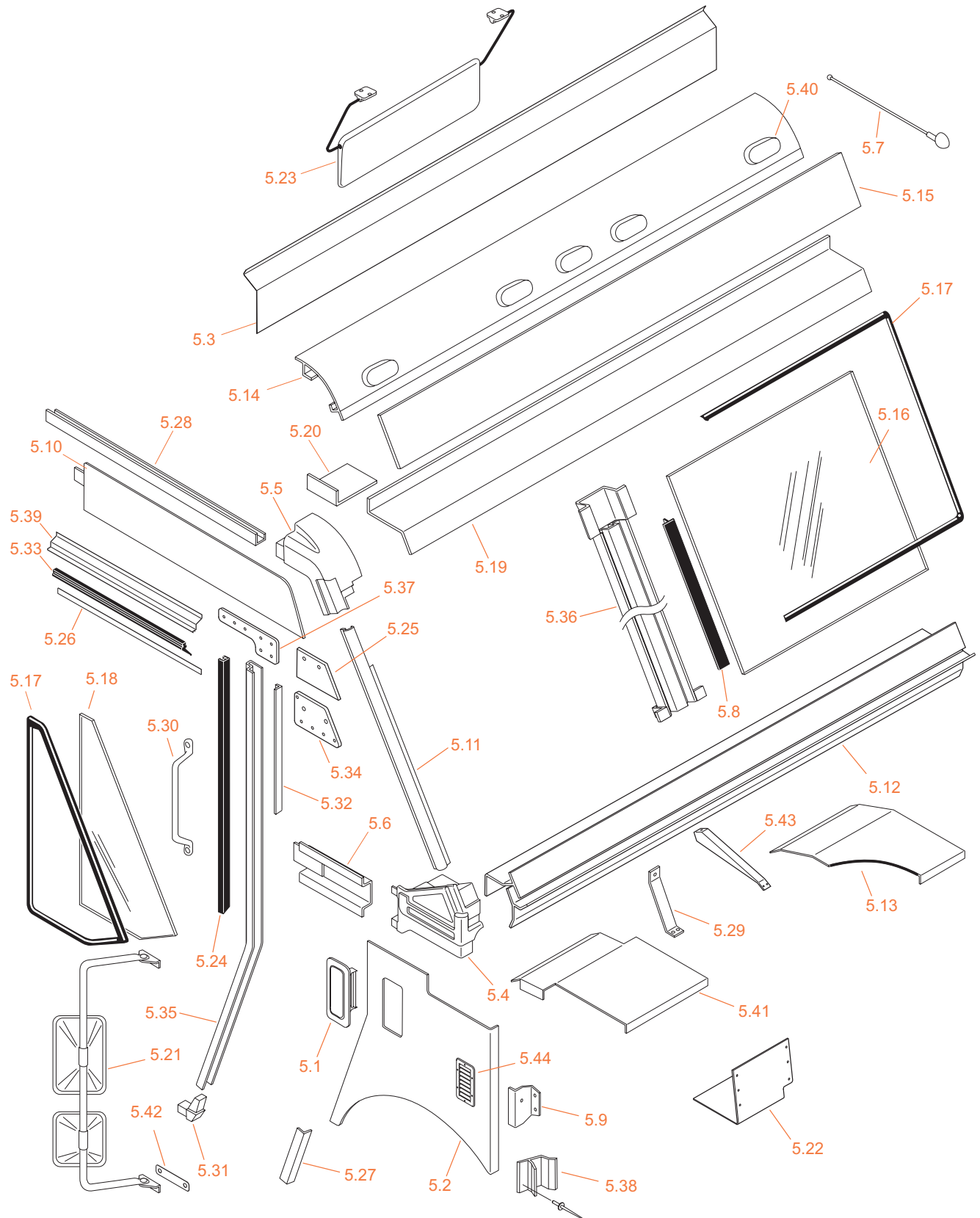
(See the Decoding Part Numbers section for Item, Part, and Description codes.)



Item	Part Number	Description
4.0		COWL ASY ISB-00 ENGINE
4.1	06923708	COVER, ENGINE FIXED LH
4.2	06923917	CABLE SUPPORT
4.3	06923707	FILLER, ENGINE COVER
4.4	06922643	ANGLE FIX ENGINE COVER SEALING #35
4.5	06923616	ASSY, ENGINE COVER
4.6	06923709	RISER, FLOOR LEFT CENTER
4.7	06923635	COVER, ENGINE FIXED CENTER
4.8	06923861-Width	COWL, LH LOWER
4.9	06601651-Width	RISER FLOOR LH B/W AR #32
4.10	06922528-CHART	COWL MTL TOP 1PC/XMR PB #31,35
4.11	05402168	SEAL
4.12	06923863	FLANGE, FLOOR RISER MTG
4.13	06923637	COVER, FIXED ENGINE BOTTOM
4.14-H	06922774-Width	RISER FLOOR/COWL RH (HEAT ONLY) #35
4.14-A	BSNR	RISER FLOOR/COWL RH (A/C)
4.15	06918254	SUPPORT ACCELERATOR FOOT #32
4.Ref	54232867	COWL FRT FLOOR ASSY CHART



5—Front Structure



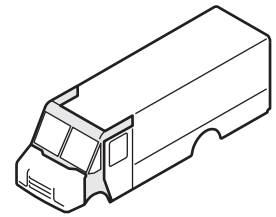
Front Structure

Utilimaster, 65528 State Road 19, P.O. Box 585, Wakarusa, IN 46573-0585, U.S.A.

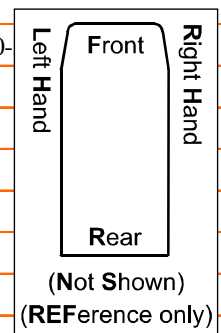
Email CustSvc@Utilimaster.com or Browse the web site www.utilimaster.com.

Call 800-237-7806 (or 574-862-3219) or Fax to 574-862-7637.

(See the Decoding Part Numbers section for Item, Part, and Description codes.)

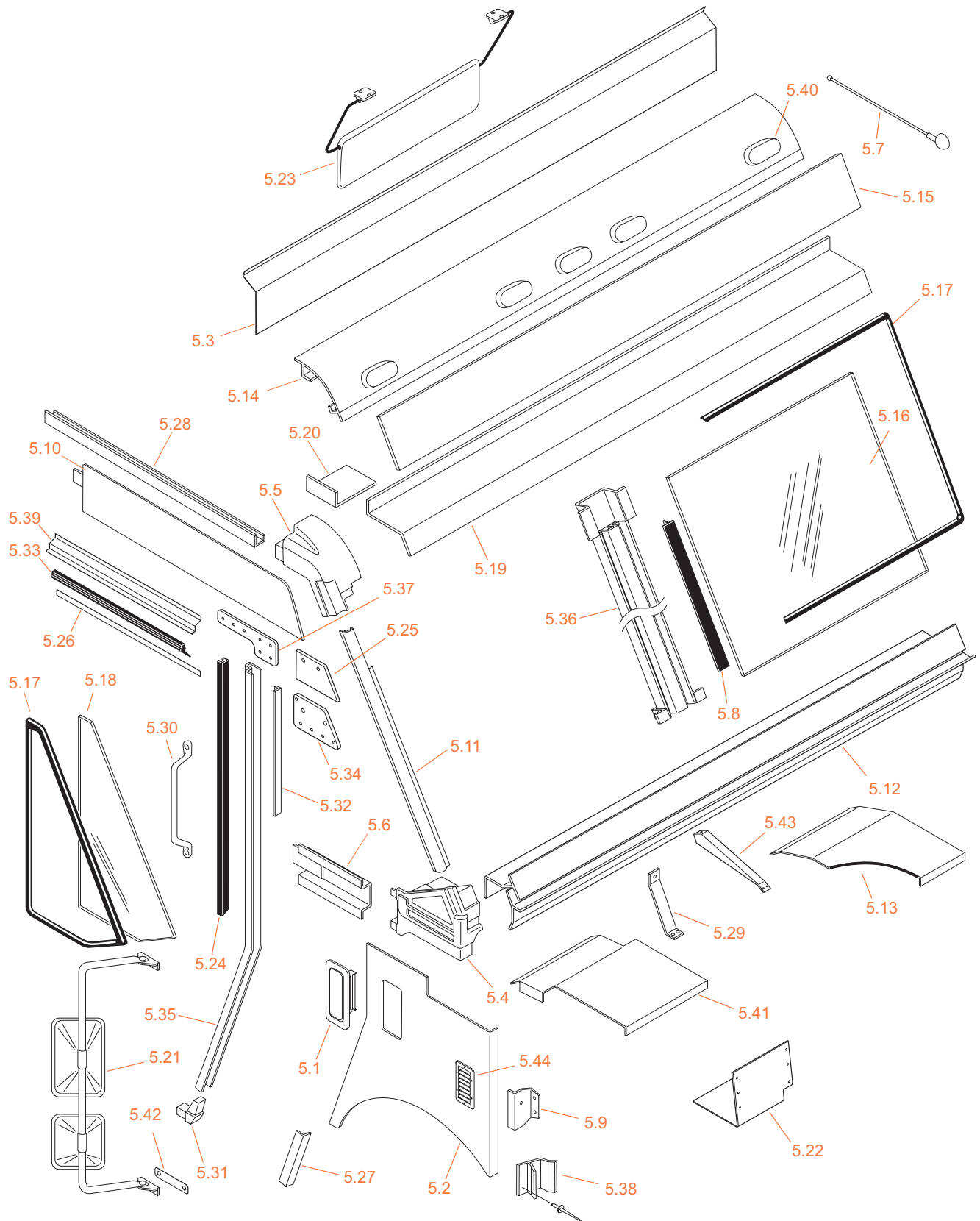


Please note that the front structure construction changed in model year 2000.			
Item	Previous No.	Current No.	Description
5.0			FRONT STRUCTURE ASSY
5.1	07100165		VENTILATOR 2-WAY ALUM
5.2	Appendix 54000000		QUARTER PANEL
5.3-81	06920734-Width		COVER O/H STORAGE W X 81H .080
5.4.1 LH	06800097	06800121	CASTING COWL LH W/LOGO #30-36
5.4.1RH	06800096	06800122	CASTING COWL RH W/LOGO #30-36
5.4.2 LH	NA	06800121-Blank	CASTING COWL W O/LOGO LH
5.4.2 RH	NA	06800122-Blank	CASTING COWL W O/LOGO RH
5.5 LH	06800092		CASTING FRT ROOF LH
5.5 RH	06800093		CASTING FRT ROOF RH
5.6.1 LH	06917279-CHART	06921078-CHART	STIFFENER ASY QTR PANEL
5.6.1 RH	06917279-CHART	06921134-CHART	STIFFENER ASY QTR PANEL
5.6.2 LH	06921049-CHART	06921210	STIFFENER ASY QTR PANEL LH (Keyless)
5.6.2 RH	06921050-CHART	06921209	STIFFENER ASY QTR PANEL RH (Keyless)
5.7	16512491		ANTENNA FLEXIBLE 16"
5.8	09300504		MOLDING-T WINDSHIELD 1.5"
5.9	06601730		BRKT HD GAS CYL MNT
5.10.1 LH	06601604		HEADER METAL LH 81H #30-36
5.10.1 RH	06601605		HEADER METAL RH 81H #30-36
5.10.2 LH	06918153		HEADER METAL LH 81H W/VENT
5.10.3 LH	06918153		** HEADER MTL LH 81H W/VNT #31,35
5.10.4 LH	06601470		HEADER METAL LH 85H #30-36
5.10.4 RH	06601469		HEADER METAL RH 85H #30-36
5.10.5 LH	06601602		HEADER METAL LH 73H #30-36
5.10.5 RH	06601603		HEADER METAL RH 73H #30-36
5.10.6 LH	06923439		HEADER MTL LH 81H W/VNT #30-
5.11 LH	06012416-Length	06921113-Length	IAH1965 POST LH WS 06000748
5.11 RH	06012417-Length	06921114-Length	IAH1965 POST RH WS 06000748
5.12-1	06915605-Width	06921136-Width	COWLING CHANNEL #32
5.12-2	06000837-Length	06003864-Length	IA 7446 CAP 06003864
5.12-3	06915949-Width	06921137-Width	COWLING CHANNEL #31,#35
5.12-4	06000847-Length	06003864-Length	IA 9342 CAP 06000847
5.12-5	06919809	06921759	06000837 COWL NTCH #31 CNG



Continued

5—Front Structure (continued)



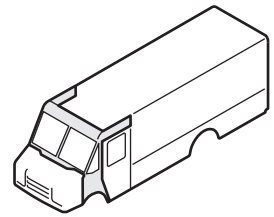
Front Structure

Utilimaster, 65528 State Road 19, P.O. Box 585, Wakarusa, IN 46573-0585, U.S.A.

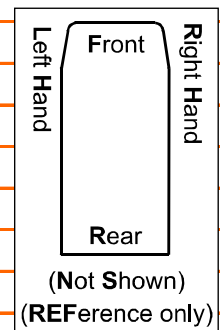
Email CustSvc@Utilimaster.com or Browse the web site www.utilimaster.com.

Call 800-237-7806 (or 574-862-3219) or Fax to 574-862-7637.

(See the Decoding Part Numbers section for Item, Part, and Description codes.)

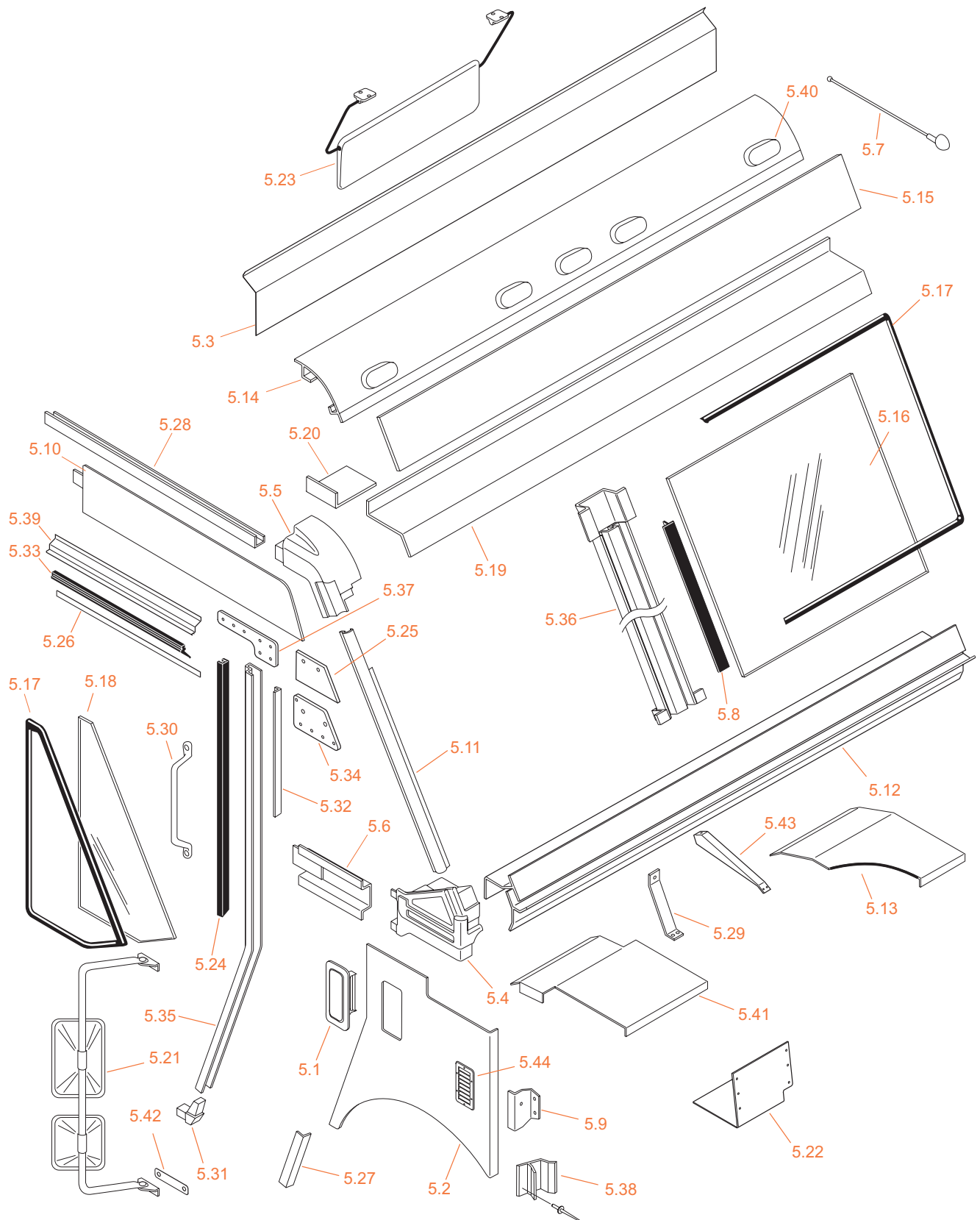


Please note that the front structure construction changed in model year 2000.			
Item	Previous No.	Current No.	Description
5.13.0	06916592-Width		FENDER UPR INR LH #32,35
5.13.1	NA	06923973	FENDER UPR INR LH CNG
5.13.2	05302302		TRIM LOCK BLK 1/8"W/ALUM INST
5.14	06000774-Length		IA9177 ROOFCAP 06000774
5.15.1	06502660		HEADER WINDSHIELD 93.5x73
5.15.2	06920084		HDR POS PRESS 86.5Wx81H
5.15.3	06502656		HEADER WINDSHIELD 93.5x85
5.15.4	06502658		HEADER WINDSHIELD 78.5x73
5.15.5	06502659		HEADER WINDSHIELD 86.5x73
5.15.6	06502661		HEADER WINDSHIELD 78.5x81
5.15.7	06502662		HEADER WINDSHIELD 86.5x81
5.15.8	06502663		HEADER WINDSHIELD 93.5x81
5.15.9	06502665		HEADER WINDSHIELD 86.5x85
5.15.10	06502953		HEADER WINDSHIELD 93.5x81
5.15.11	06502954		HEADER WINDSHIELD 93.5x85
5.15.12	06919264		HDR POS PRESS WINDSHIELD #32 #33
5.16.1	09801350		GLASS WSHLD W/TNT 2PC SHD BAND
5.16.2	09801351		GLASS WSHLD N/TINT 1PC 78.5W
5.16.3	09801349-Width		GLASS WSHLD N/TINT 2PC
5.17	05705483		MOLDING WIDE BONDED GLASS 1" L
5.18 LH	09801354		GLASS LH QTR WDW BONDED
5.18 RH	09801360		GLASS RH QTR WDW BONDED
5.19.1	06916523-Width		STIFFENER WINDSHIELD HEADER
5.19.2	06922031-Width		STIFFENER WINDSHIELD HEADER
5.19-93	NA	06921932	STIFFENER WINDSHIELD 93.5W
5.19-86	NA	06921933	STIFFENER WINDSHIELD 86.5W
5.19-78	NA	06921934	STIFFENER WINDSHIELD 78.5W
5.20	06601844		BRKT SHELF TO HEADER
5.21.1 LH	08610411		** MIRROR KIT LH S/STEEL
5.21.1 RH	08610412		** MIRROR KIT RH S/STEEL
5.21.2 LH	08610407		** MIRROR KIT LH WHITE
5.21.2 RH	08610408		** MIRROR KIT RH WHITE
5.21.3 LH	08610409		** MIRROR KIT LH BLACK



Continued

5—Front Structure (continued)



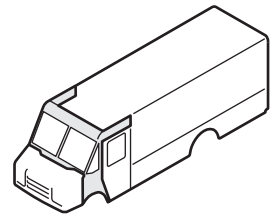
Front Structure

Utilimaster, 65528 State Road 19, P.O. Box 585, Wakarusa, IN 46573-0585, U.S.A.

Email CustSvc@Utilimaster.com or Browse the web site www.utilimaster.com.

Call 800-237-7806 (or 574-862-3219) or Fax to 574-862-7637.

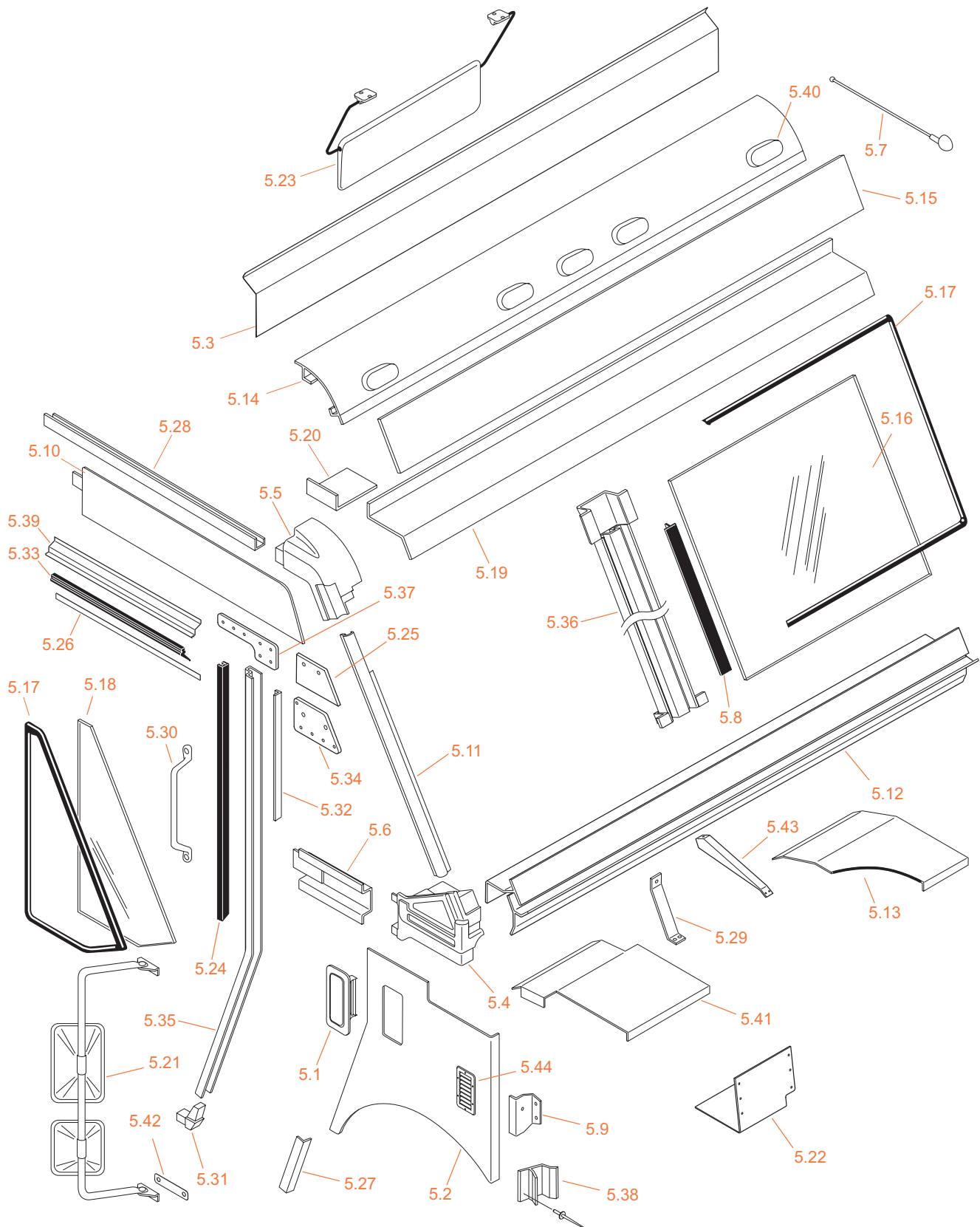
(See the Decoding Part Numbers section for Item, Part, and Description codes.)



Please note that the front structure construction changed in model year 2000.			
Item	Previous No.	Current No.	Description
5.21.3 RH		08610410	** MIRROR KIT RH BLACK
5.21.4 LH		08610914	MIRROR ASSY LH 6 x 16" RE-TRAC
5.21.4 RH		08610911	MIRROR ASSY RH 6 x 16" RE-TRAC
5.21.5		08610913	MIRROR CONVEX SPT 5.5 x 4"
5.22.1		06601770	BRKT BTL O/FLOW RAD
5.22.2		06916855	BRKT BTL O/FLOW RAD #35
5.23		13672250	SUNVISOR 8 x 28 / 9" ARM BLK VNL
5.24		05705475	SEAL QUARTER POST
5.25	06917278	06921077	MOUNT UPPER QTR WDO
5.26		06601704	FILLER UPR DR SEAL
5.27.1 LH		06916474	LEG QTR METAL LH 4" LWR FRTLNER
5.27.1 RH		06916475	LEG QTR METAL RH 4" LWR FRTLNER
5.27.2 LH		06918529	LEG QTR PANEL LH #32
5.27.2 RH		06918530	LEG QTR PANEL RH #32
5.28		06012473	AE TRACK 76.50 06000645
5.29 LH		06915692	BRACE INNER FENDER LH #32&35
5.29 RH		06916679	BRACE UPR INNER FNDR RH #32,35
5.30.1		08704342	HANDLE GRAB OFFSET
5.30.2		08704347	HANDLE ALUM GRAB
5.30.3		08704354	HANDLE GRAB ANODIZED
5.31		06800090	CASTING DR/STEPWELL 18*
5.32		06601707	GUARD WIRE A-PILLAR
5.33		05402172	SEAL DOOR 39" 05402151
5.34	22813194	22816539	GUSSET 1/4 POST TO WINDSHIELD
5.35.1 LH		06921290	POST QTR LH SLDR W/4"LWR
5.35.1 RH		06915770	QR PST RH 4" LWR 06000260
5.35.2 LH		06921022	POST QTR LH SL DR KYLS ENTRY #32-35
5.35.2 RH		06921023	POST QTR RH SL DR KYLS ENTRY
5.35.3 LH		06916696	QTR POST SDN DR LH#35 06003861
5.35.3 RH		06916701	QTR POST SDN DR RH#35 06003861
5.35.3 RH		06012488	QTR PST RH SDN #32,33 06003861
5.35.3 LH		06915771	QR PST LH 4"LWR 32-35 06000260
5.35.4 LH		06916548	QTR POST DD #35 06000260
5.35.4 RH		06916724	QTR POST RH DD #35 06000260

Continued

5—Front Structure (continued)



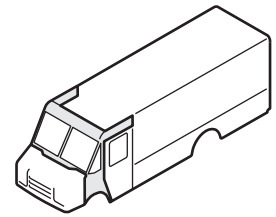
Front Structure

Utilimaster, 65528 State Road 19, P.O. Box 585, Wakarusa, IN 46573-0585, U.S.A.

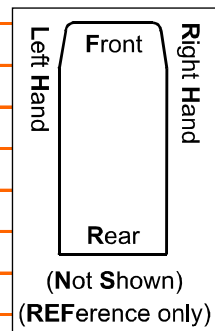
Email CustSvc@Utilimaster.com or Browse the web site www.utilimaster.com.

Call 800-237-7806 (or 574-862-3219) or Fax to 574-862-7637.

(See the Decoding Part Numbers section for Item, Part, and Description codes.)

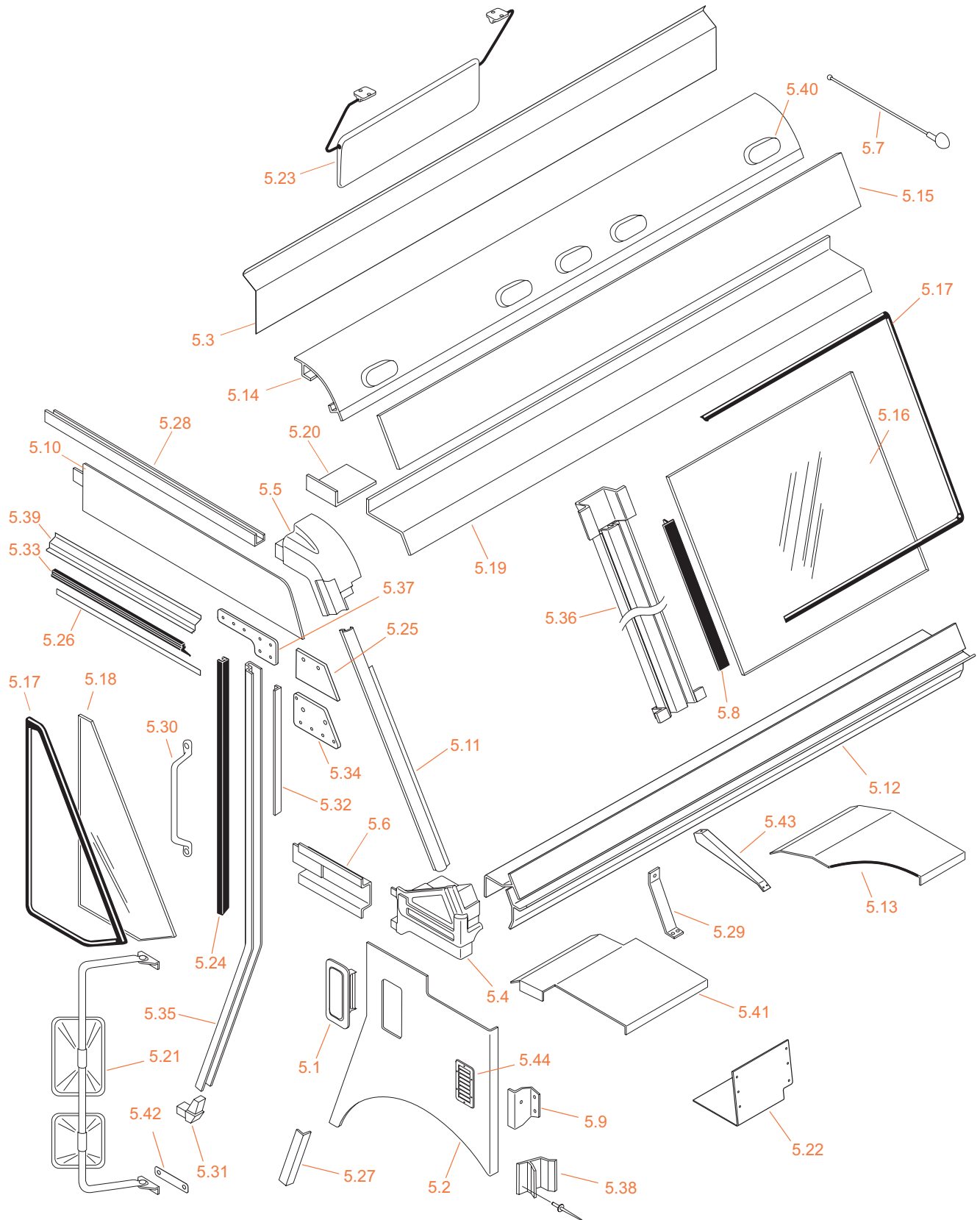


Please note that the front structure construction changed in model year 2000.			
Item	Previous No.	Current No.	Description
5.35.5 LH	06920640		QTR POST SHORT SEDAN DOOR LH #31
5.35.6 LH	06012412		QTR POST LH #32,33 06000260
5.35.6 RH	06012413		QTR POST RH #32,33 06000260
5.35.7 LH	06014435		QTR POST LH DD #32-33 06000260
5.35.7 RH	06014436		QTR POST RH DD #32-33 06000260
5.35.8 LH	06923155		QTR POST LH 4 LWR 32-35 HNSN 06000260
5.35.8 RH	06923154		QRT POST RH 4 LWR 32-35 HNSN 06000260
5.36	06913672	06921962	POST ASY CENTER W/S
5.37	22813195		GUSSET 1/4 PST TO TRACK
5.38	06000747-Length		IA9000 HOOD GUIDE 06000747
5.39	06001990-03900		IA6000 DRSEAL 39.00 06001990
5.40.1	16512589		LITE AMB LED LOPRO W/BOSS M133A
5.40.2	12605903		GASKET PM LED LITE
5.40.3	15200401		LIGHT CLEARANCE AMBER
5.40.4	15200548		LIGHT CLEARANCE AMBER
5.40.5	15200559		LIGHT CLEARANCE YELLOW
5.40.6	15206160		CLEARANCE LITE YELLOW
5.40.7	16100074		CLEARANCE LIGHT AMBER
5.40.8	16512990		LIGHT LED LOPRO AMBER
5.40.9	16512528		LIGHT CLEARANCE AMBER
5.40.10	16512992		GASKET 21251R LED CLEAR LT
5.41.1	06916363-Width	06923956-Width	FENDER INR UPR RH #35
5.41.2	06916593-Width		FENDER INNER UPPER RH #35
5.42	08610525		GASKET MIRROR BRACKET
5.43	06920706		BRACKET INNER FENDER
5.44	See Heater Section		LOUVER ASSY ABS
5.NS	12605827		SIKA-PRIMER 250ML
5.NS	12605959		SIKA AKTIVATOR
5.NS	12100624		SEALANT LIQUID RUBBER
5.NS	12605925		CLEANER



Continued

5—Front Structure (continued)



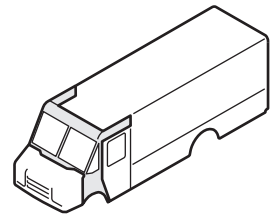
Front Structure

Utilimaster, 65528 State Road 19, P.O. Box 585, Wakarusa, IN 46573-0585, U.S.A.

Email CustSvc@Utilimaster.com or Browse the web site www.utilimaster.com.

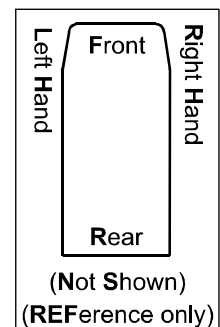
Call 800-237-7806 (or 574-862-3219) or Fax to 574-862-7637.

(See the Decoding Part Numbers section for Item, Part, and Description codes.)

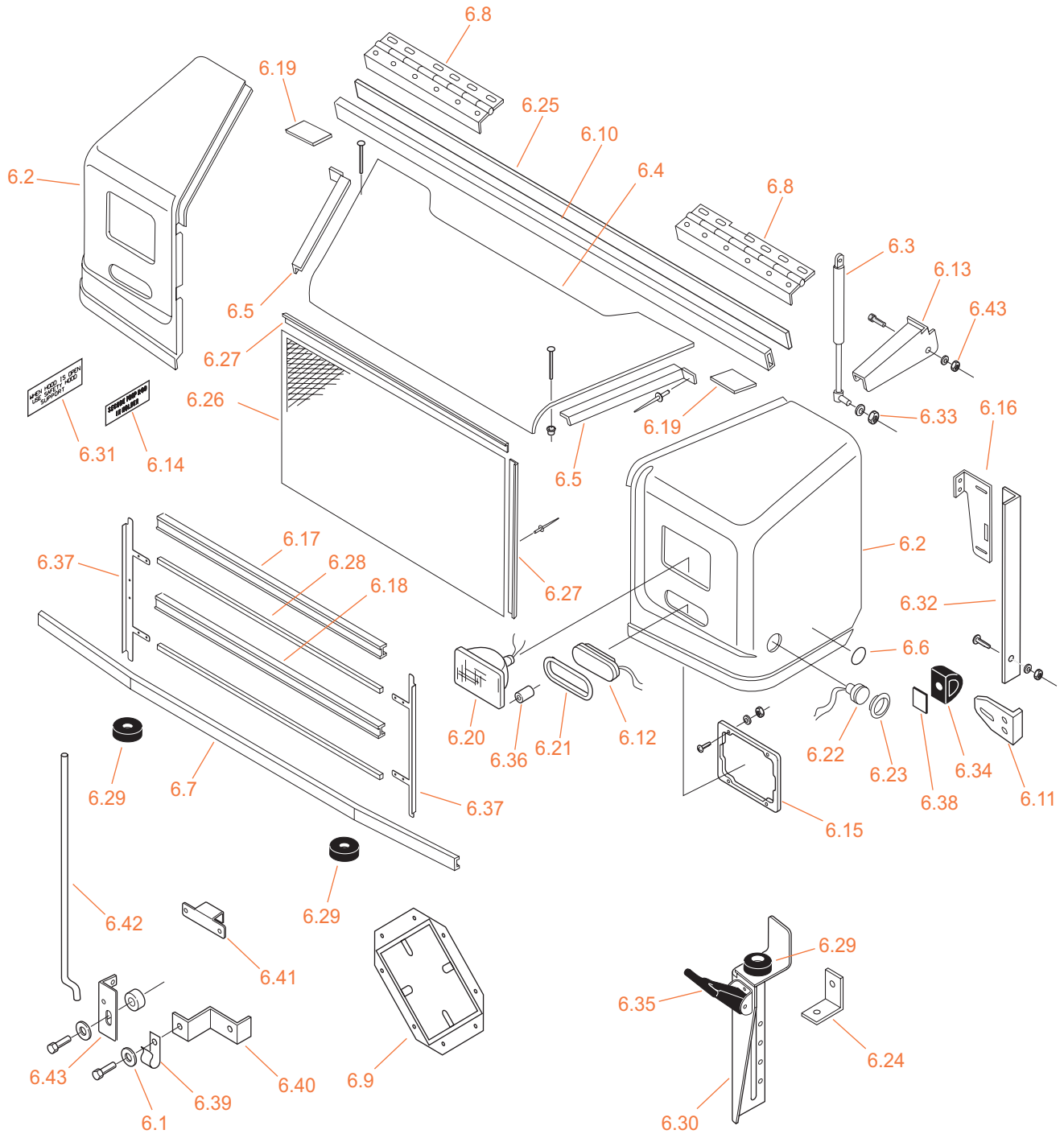


Please note that the front structure construction changed in model year 2000.

Item	Previous No.	Current No.	Description
5.Ref	NA	54232627-CHART	Q/PNL S/ASY LH KYLS ENT CHT
5.Ref	NA	54232628-CHART	Q/PNL S/ASY RH KYLS ENT CHT
5.Ref	NA	54232092-CHART	Q/PNL S/ASY 85H SLDR RH W/V#35
5.Ref	NA	54232832-CHART	Q/PNL S/ASY 81H SLDR LH W/VT KYLS#35
5.Ref	NA	54232833-CHART	Q/PNL S/A 81H SLDR RH WO/VT KYLS #35
5.Ref	NA	54232698-CHART	PANEL S/ASSY QTR SPECIAL RH CHART
5.Ref	NA	54232697-CHART	Q/PNL S/ASY 79H SLDR LH W/VENT #35
5.Ref	NA	54232679-CHART	PANEL ASSY QTR LH CHART #30-36
5.Ref	NA	54232680-CHART	PANEL ASSY QTR RH CHART #30-36
5.Ref	NA	54232711-CHART	PANEL ASSY QTR LH KYLS ENT 35&36
5.Ref	NA	54232712-CHART	PANEL ASSY QTR RH KEYLESS ENT #35&36
5.Ref	NA	54232833-CHART	RH QTR PANEL ASSY 1PC XMBR CHART
5.Ref	NA	54232832-CHART	LH QTR PANEL ASSY 1PC XMBR CHART
5.Ref	54232147-CHART	NA	** Q/PANEL ASSY LH CHART #30-36
5.Ref	54232149-CHART	NA	** Q/PANEL ASSY RH CHART #30-36
5.Ref	58230448		INSTL FLEXIBLE RADIO ANTENNA
5.Ref	54232124		QTR GLASS TRIM INSTALL
5.Ref	54232127		W/S TRIM MOLD INSTALL
5.Ref	54232141		FENDER UPPER INNER INSTALL
5.Ref	54232743		INSTALL FRT CLEARANCE LIGHT 16512877
5.Ref	54232768		STRUCTURE ASSY FRT
5.Ref	54232830		FRONT RF CAP LIGHT 16512990 INSTL
5.Ref	58231056		INSTALLATION MIRROR HEATED 08610778
5.Ref	54232604		INSTALL CAP ROOF FRT CLR LITE 16512589



6—Hood, RIM



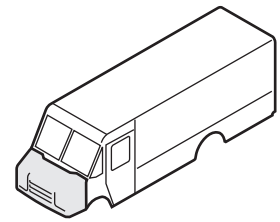
Hood, RIM

Utilimaster, 65528 State Road 19, P.O. Box 585, Wakarusa, IN 46573-0585, U.S.A.

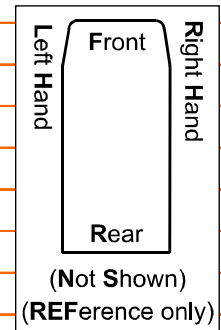
Email CustSvc@Utilimaster.com or Browse the web site www.utilimaster.com.

Call 800-237-7806 (or 574-862-3219) or Fax to 574-862-7637.

(See the Decoding Part Numbers section for Item, Part, and Description codes.)

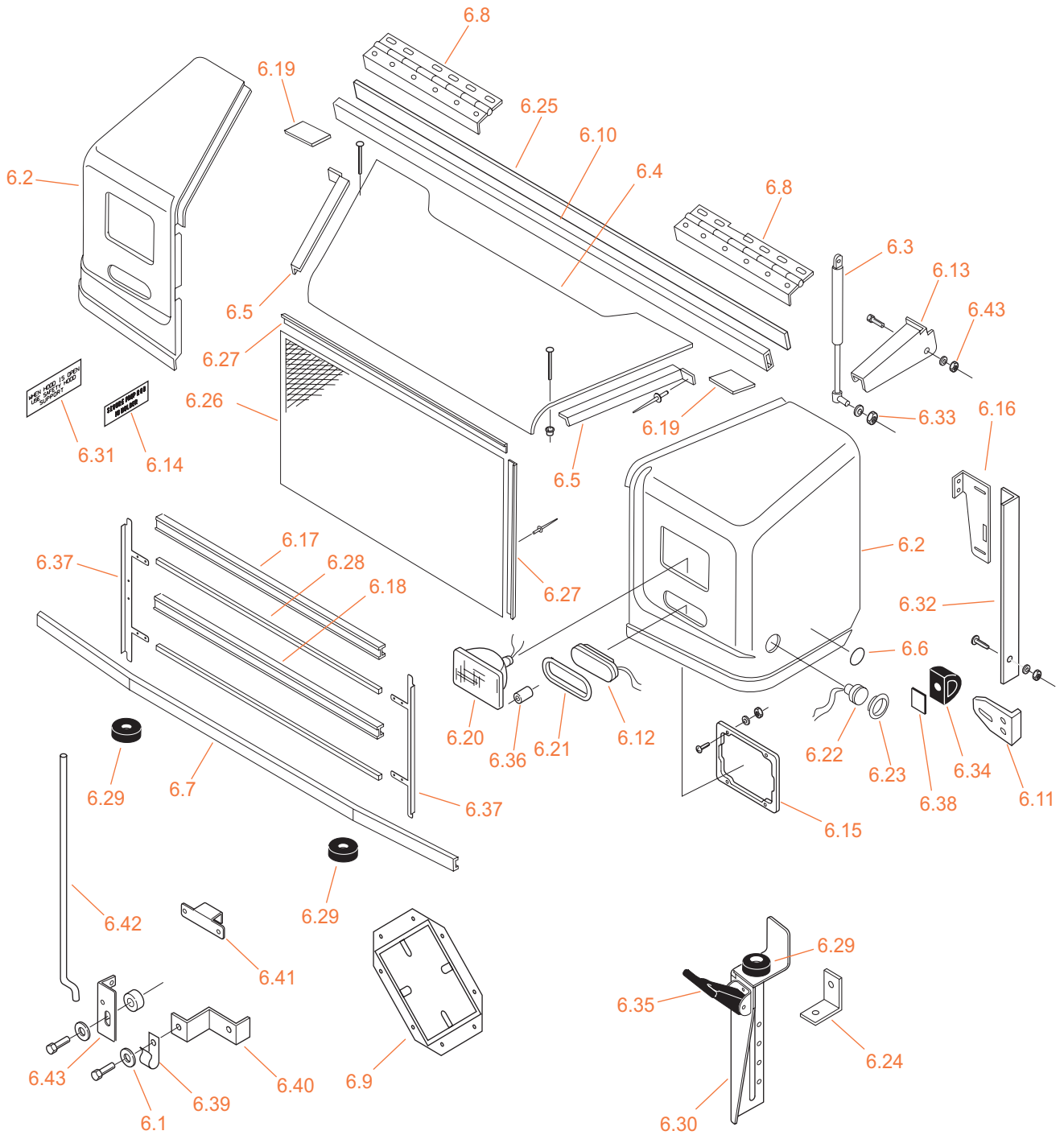


Item	Part Number	Description
6.0		RIM HOOD ASSY
6.1	11002810	WASHER 5/16 LOCK ZINC
6.2 LH	20201089	FENDER RIM LH
6.2 RH	20201090	FENDER RIM RH
6.3.1	08610334	SPRING GAS 135# W/O LCK
6.3.2	08610335	SPRING GAS W\LOCK 135#
6.3.3	08610130	SPRING GAS W/LOCK 180#
6.4.1	06917395	HOOD RIM CENTER 78.5W 1PC W/S
6.4.2	06601747-Width	HOOD RIM CENTER 2PC W/S (SPECIFY UNIT WIDTH)
6.4.3	11400051	HUCK TRUSS HEAD
6.4.4	11404001	HUCK MAGNA-GRIP COLLAR
6.4.5	11305092	BOLT (IN PLACE OF 6.4.3 AND 6.4.4)
6.4.6	11000039	NUT (IN PLACE OF 6.4.3 AND 6.4.4)
6.4.7	11008141	WASHER (IN PLACE OF 6.4.3 AND 6.4.4)
6.5 LH	06601815	SUPPORT CENTER RIM HOOD LH
6.5 RH	06601816	SUPPORT CENTER RIM HOOD RH
6.6.1	16200033	REFLECTOR AMBER TAPE RND
6.6.2	15201618	REFLECTOR AMBER
6.7	06916417	IA 8427 HD SPRT 06000722 (SPECIFY UNIT WIDTH)
6.8.1 LH	08610455	HINGE RIM HD LH 78.5W 1PC W/S
6.8.2 LH	08610395-Width	HINGE RIM HOOD LH (SPECIFY UNIT WIDTH)
6.8 RH	08708530-Width	HINGE RIM HOOD RH (SPECIFY UNIT WIDTH)
6.9.1	03101390	PLACARD FRM HAZMAT STD KT BASE
6.9.2	03101863	PLACARD HAZMAT SOLID
6.9.3	03101872	PLACARD HAZMAT SOLID
6.10	06000303-08950	IAH451 TUBE 06000303
6.11	06919033	MOUNTING ANGLE RIM HOOD
6.12.1	16100076	LIGHT FRONT TURN
6.12.2	16512585	LIGHT OVAL TURN TRKLITE
6.12.3	16400435	PIGTAIL, LIGHT FRONT TURN
6.13 LH	22102017	SPRT UPR GAS SPR LH RIM HD
6.13 RH	22102018	SPRT UPR GAS SPR RH RIM HD
6.14	03101830	DECAL, PROP ROD
6.15.1	22813774	BRKT HOOD RIM INCAN HDLAMP
6.15.2	22102015	BRKT HDLMP MNT RIM HD HALO



Continued

6—Hood, RIM (continued)



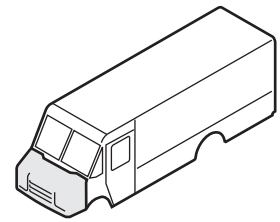
Hood, RIM

Utilimaster, 65528 State Road 19, P.O. Box 585, Wakarusa, IN 46573-0585, U.S.A.

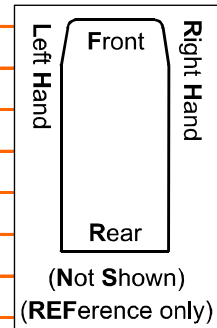
Email CustSvc@Utilimaster.com or Browse the web site www.utilimaster.com.

Call 800-237-7806 (or 574-862-3219) or Fax to 574-862-7637.

(See the Decoding Part Numbers section for Item, Part, and Description codes.)

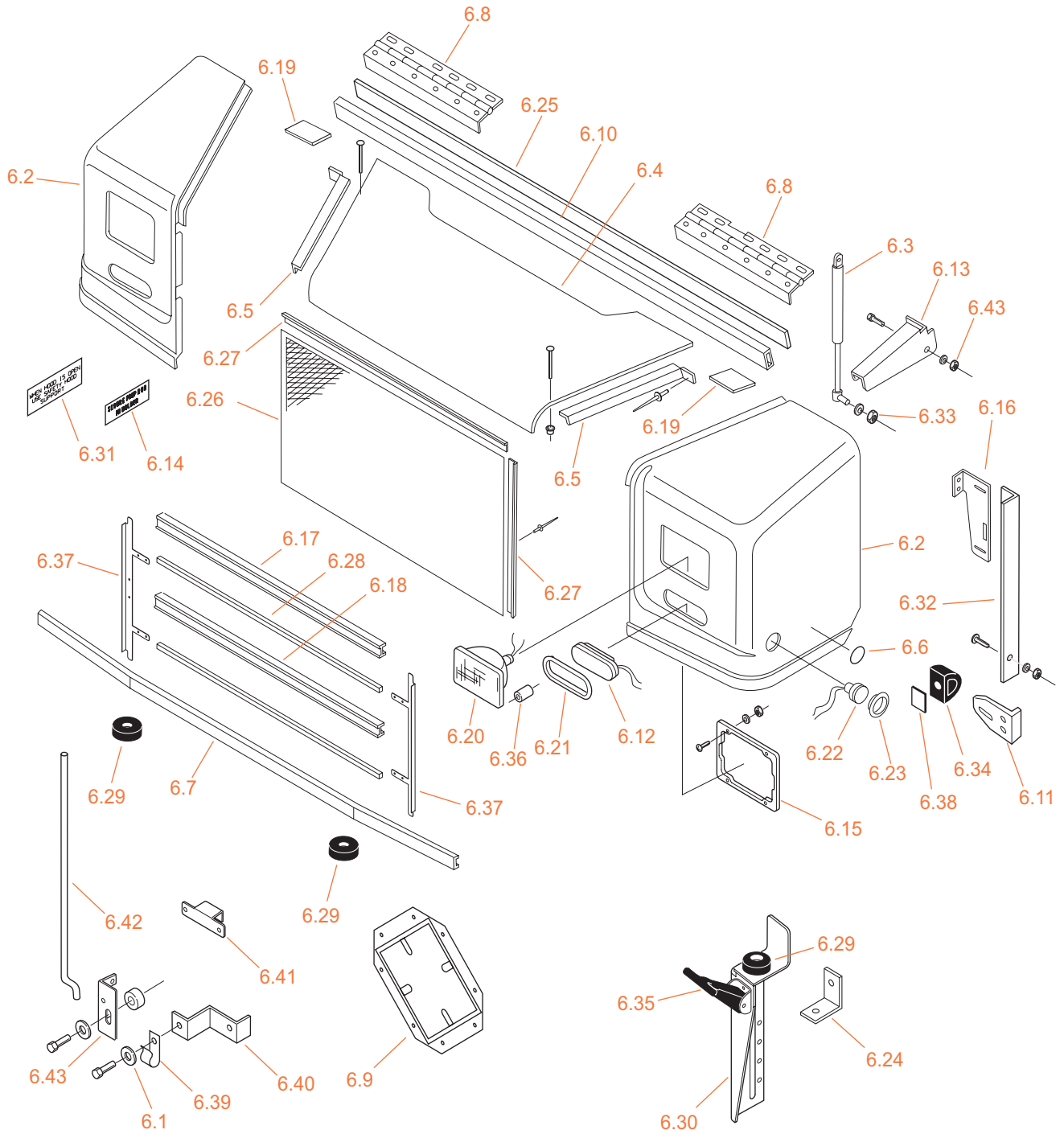


Item	Part Number	Description
6.16 LH	06919034	SUPPORT STRUT RIM HOOD LH
6.16 RH	06919035	SUPPORT STRUT RIM HOOD RH
6.17	06000722-Length	IA8427 HD SPRT (SPECIFY LENGTH)
6.18	06000723-Length	IA8428 HD SPRT (SPECIFY LENGTH)
6.19	06916925	SHIM RIM HOOD HINGE
6.20.1	15206129	HEADLIGHT INCAN
6.20.2	15200593	HEADLIGHT ASY HALOGEN
6.20.3	15206029	BEZEL, HEAD LIGHT
6.21	16100073	GROMMET FRONT LAMP
6.22.1	16512170	LIGHT AMBER LED 2.5" ROUND
6.22.2	16100105	LIGHT SIDE MARKER
6.23	16512754	GROMMET SIDE MARKER (CLOSED)
6.24	22814266	MOUNT RIM HOOD BMPR STOP
6.25	12300812	TAPE FOAM 3/16 x 1" x 50'
6.26	08610450-Length	MESH, RIM HOOD 3 x 3 x 18 (SPECIFY SIZE)
6.27	06002023-Length	TRIM, IA727 ANGLE (SPECIFY LENGTH)
6.28	06000113-Length	IAH454 TUBE 06000113 (SPECIFY SIZE)
6.29.1	05705473	RUBBER BMPR 1.5 DIA x .625
6.29.2	05705659	BUMPER RUBBER 1.5DIA x .625
6.29.3	23002147SK	KIT RIM BUMPER STOPS 2.5 OD (05705702 Bumper Only)
6.30.1 LH	22813997	** MNT HOOD BMPR & LATCH LH 33,35
6.30.1 RH	22813998	** MNT HOOD BMPR & LATCH RH 33,35
6.30.2 LH	22816443	MNT HOOD BMPR & LATCH LH 33,35
6.30.2 RH	22816444	MNT HOOD BMPR & LATCH RH 33,35
6.30.3 LH	22816592	MOUNT HOOD BUMPER LATCH LH #33,35
6.30.3 RH	22816593	MOUNT HOOD BUMPER LATCH RH #33,35
6.31.1	03000828	DECAL WHEN HOOD IS OPEN USE
6.31.2	03101307	DECAL GAS SPRING/HOOD PROP REL
6.31.3	03101838	DECAL HOOD PROP ROD CATCH 3" x 5"
6.32 LH	06919383-Length	IA637 HD RM BRC LH 06002050 (SPECIFY LENGTH)
6.32 RH	06919384-Length	IA637 HD RM BRC RH 06002050 (SPECIFY LENGTH)
6.33	08610361	STUD BALL 10MM x 5/16-18 x .75
6.34	01100442	BUMPER-LIFT UP NOSE 1-3/4"
6.35	08700570	LATCH ENG COVER



Continued

6—Hood, RIM (continued)



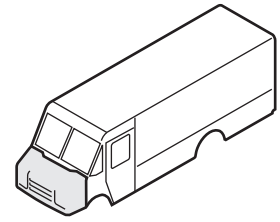
Hood, RIM

Utilimaster, 65528 State Road 19, P.O. Box 585, Wakarusa, IN 46573-0585, U.S.A.

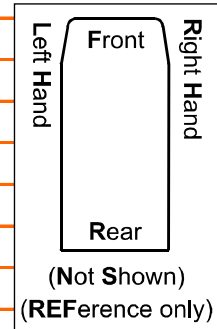
Email CustSvc@Utilimaster.com or Browse the web site www.utilimaster.com.

Call 800-237-7806 (or 574-862-3219) or Fax to 574-862-7637.

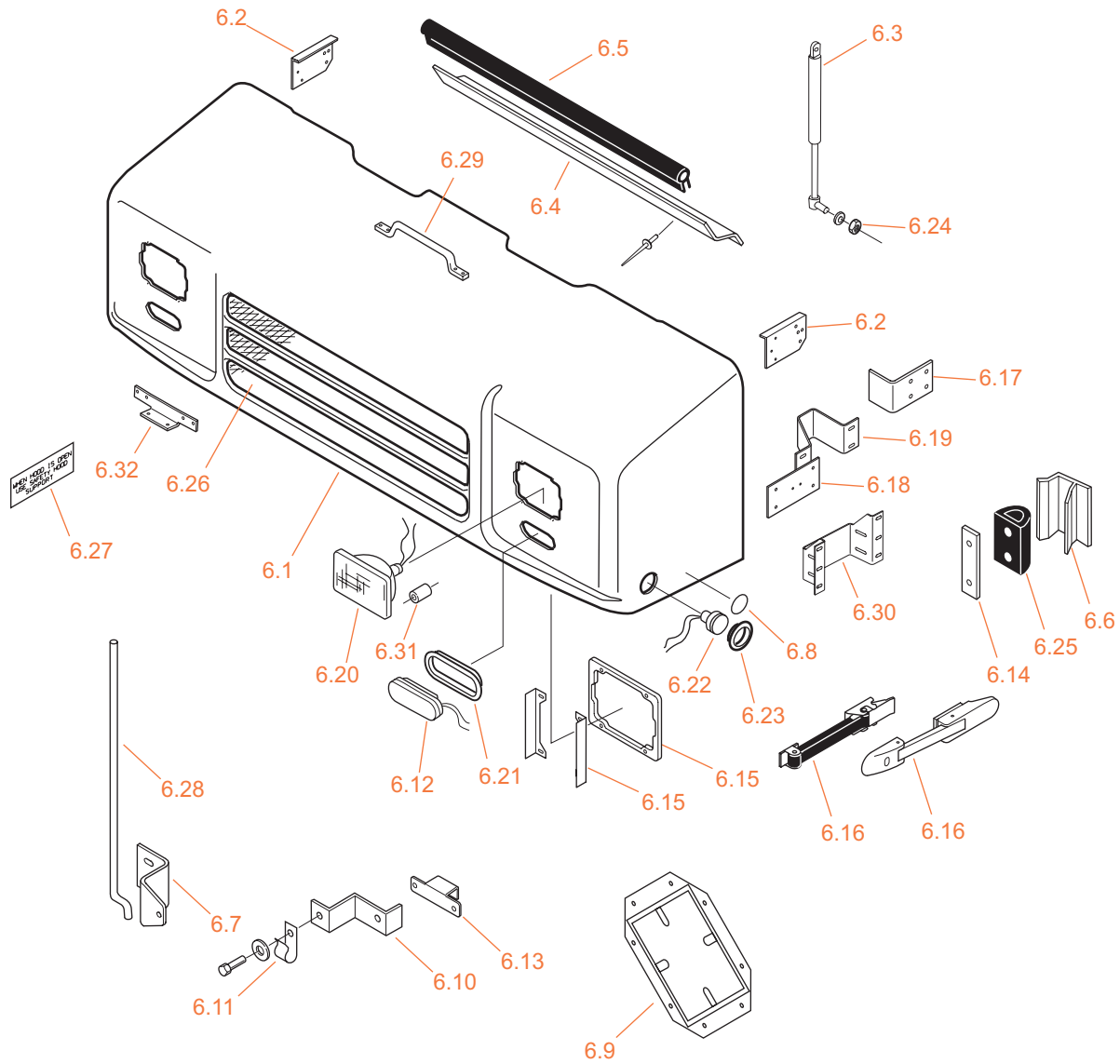
(See the Decoding Part Numbers section for Item, Part, and Description codes.)



Item	Part Number	Description
6.36	17900474	PLENUM SPACER 1" HALO
6.37	06922059	SUPPORT GRILL BARS
6.38	06921490	ALUM .125 x .88 x 1.5
6.39	08610687	CLIP HOOD ROD 5.5MM
6.40	22814609	BRACKET PROP ROD CATCH
6.41	22813778	CATCH HOOD PROP
6.42	22813919	HOOD PROP RIM HOOD
6.43.0	22813777	BRKT HOOD PROP ROD
6.43.1	22814032	SPACER TUBE HOOD PROP .5"
6.NS	23002060	HOOD, SHELL ONLY (Specify Width)
6.NS	16512701	GUARD HEAD LIGHT (CAGE)
6.NS	21311241	WINTER COVER GRILL 20.75 x 47.50
6.Ref	54232625	INSTL GRAB HANDLE ON RIM HOOD
6.Ref	54232775	GRILL BAR INSTALL
6.Ref	54232547	RIM HOOD ASY W/2PC WSHLD CHART
6.Ref	54232774	RIM HOOD ASSY W/2PC W/S CHART
6.Ref	54232733	HOOD ASSY RIM HALG W/DPSTK ACS CHT
6.Ref	54232546	RIM HOOD ASY 78.5W W/1PC WSHLD
6.Ref	54232158	MESH, RIM HOOD (Specify Width)
6.Ref	54232545	INSTALL FNDR BRACE CHT RIM HD
6.Ref	51231290	STOP HOOD BMPR INSTAL
6.Ref	64236281-CHART	HOOD PROP INSTALL RIM
6.Ref	20510272	FENDER RIM LH RECT INCAN HDLT
6.Ref	20510271	FENDER RIM RH RECT INCAN HDLT



6—Hood, Fiberglass



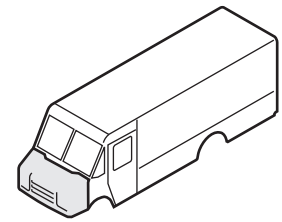
Hood, Fiberglass

Utilimaster, 65528 State Road 19, P.O. Box 585, Wakarusa, IN 46573-0585, U.S.A.

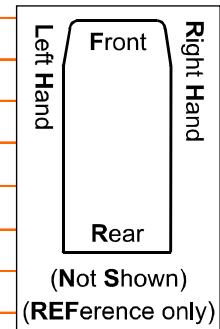
Email CustSvc@Utilimaster.com or Browse the web site www.utilimaster.com.

Call 800-237-7806 (or 574-862-3219) or Fax to 574-862-7637.

(See the Decoding Part Numbers section for Item, Part, and Description codes.)

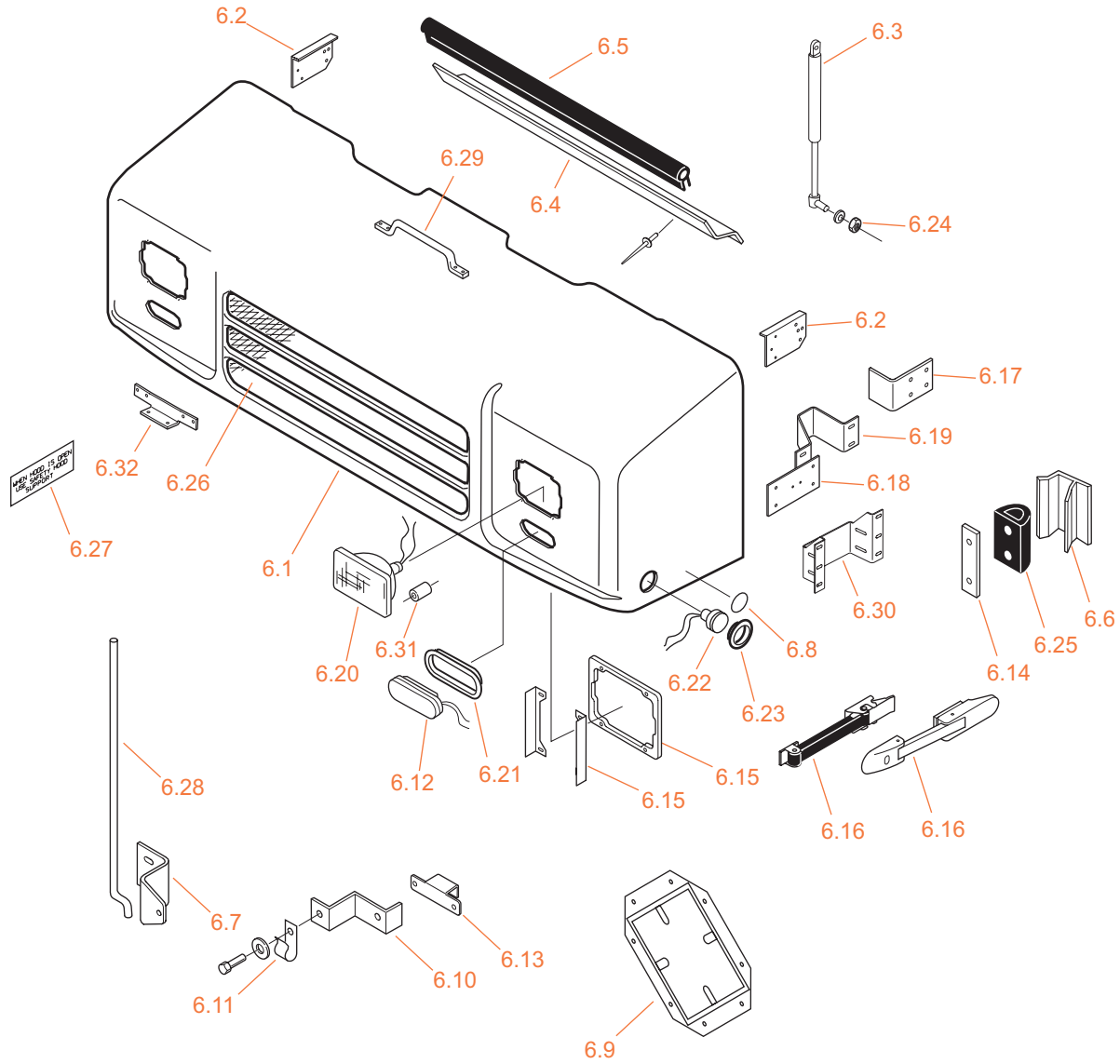


Item	Part Number	Description
6.0		HOOD FIBERGLASS 31, 32, 35
6.1.1*	20510505-CHART	HOOD FGL RCT HAL 31, 32, 35
6.1.2*	20510504-CHART	HOOD FGL RECT INCANDES
6.2 LH	22814961	SPRT UPR GAS SPR LH RTM HOOD
6.2 RH	22814960	SPRT UPR GAS SPR RH RTM HOOD
6.2.1	06919665	BRKT HOOD GUIDE MOUNT RTM
6.3.1	08610334	SPRING GAS 135# W/O LCK
6.3.2	08610335	SPRING GAS W\LOCK
6.4	06918875	FILLER COWL F/G RTM HOOD
6.5	05402186	SEAL HOOD FIBERGLASS
6.6	06000747-Length	IA9000 HOOD GUIDE 06000747
6.7	BSNR	BRACKET HOOD PROP ROD
6.8	16200033	REFLECTOR AMBER TAPE ROUND
6.9	See RIM Hood	HAZMAT PLACKARD
6.10	22814609	BRACKET PROP ROD CATCH
6.11	08610687	CLIP HOOD ROD 5.5MM
6.12	See RIM Hood	LIGHT FRONT TURN
6.13	22813778	CATCH HOOD PROP
6.14.1	06919446	BACKER DOCK BUMPER RTM HOOD
6.14.2	06919116	BACKER DOCK BUMPER RTM HOOD
6.15	See RIM Hood	BRKT HOOD RIM INCAN HDLAMP
6.16.1	08704958	LATCH FLEX DRAW
6.16.2	08610842	LATCH HOOD
6.16.3	08700313	HOLD DOWN HOOD
6.17	06919444	BRACKET HD GUIDE MOUNT FGLS
6.18	06924048	BRKT HD GUIDE OUTER F/G RTM
6.19 LH	06919095	BRKT HOOD GUIDE INNER LH RTM
6.19 RH	06919105	BRKT HOOD GUIDE INNER RH RTM
6.20	See RIM Hood	HEADLIGHT ASSY
6.21	16100073	GROMMET FRONT LAMP
6.22	See RIM Hood	LIGHT SIDE MARKER
6.23	16512754	GROMMET 2.5" RND W/BCK
	*Detail 6.1 includes hood hinges and other components affixed to fiberglass hood.	



Continued

6—Hood, Fiberglass (continued)



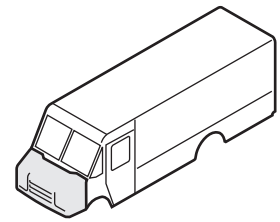
Hood, Fiberglass

Utilimaster, 65528 State Road 19, P.O. Box 585, Wakarusa, IN 46573-0585, U.S.A.

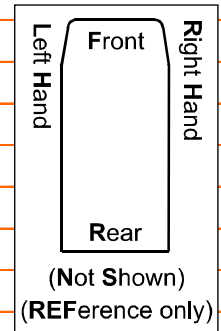
Email CustSvc@Utilimaster.com or **Browse** the web site www.utilimaster.com.

Call 800-237-7806 (or 574-862-3219) or **Fax** to 574-862-7637.

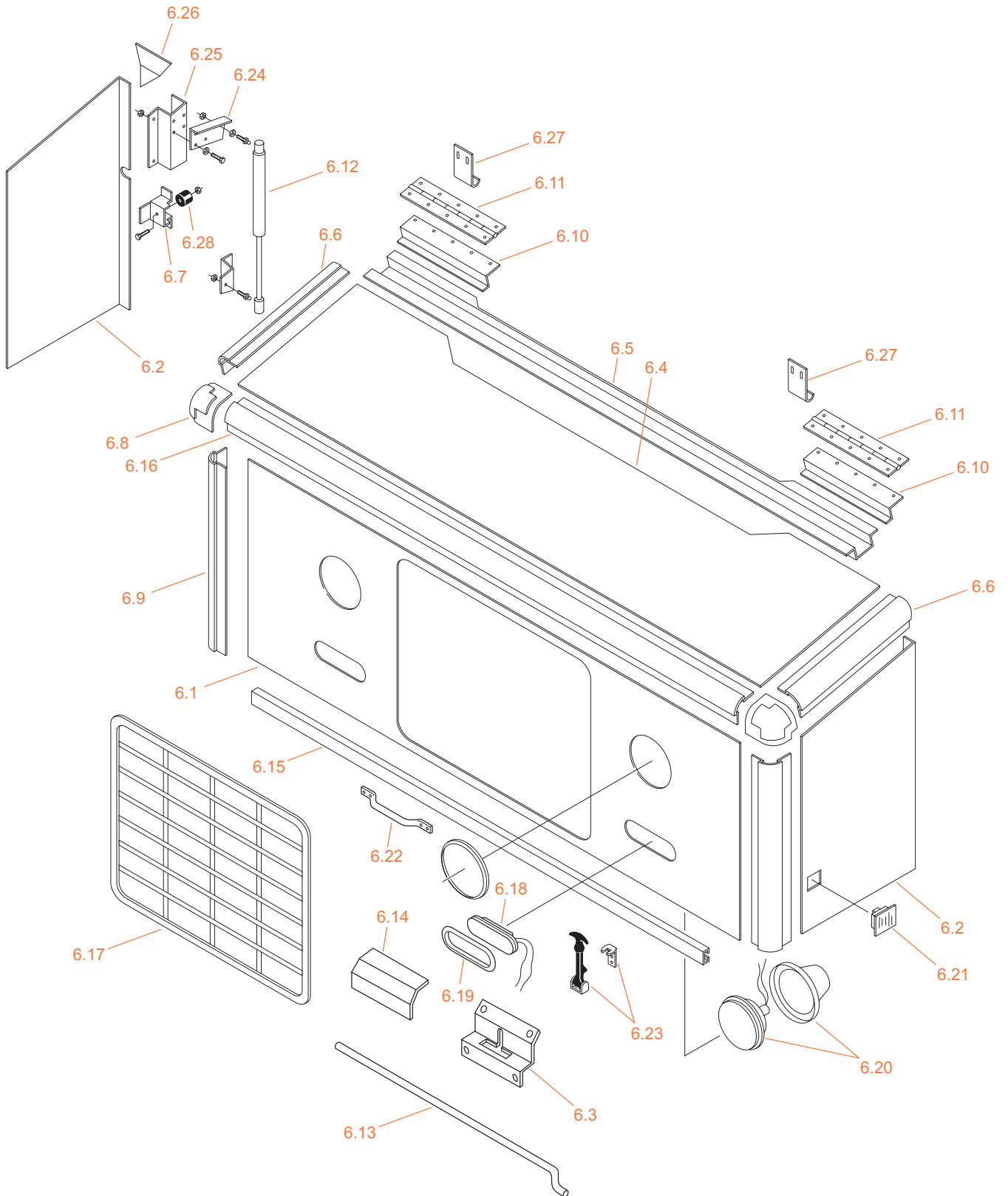
(See the Decoding Part Numbers section for Item, Part, and Description codes.)



Item	Part Number	Description
6.24	08610361	STUD BALL 10MM x 5/16-18 x .75
6.25.1	01902625	BMPR RBR DOCK HOOD GUIDE 3.5"
6.25.2	01100442	BUMPER-LIFT UP NOSE 1-3/4"
6.26	08610450	MESH.032 BLK EPOX (SPECIFY SIZE)
6.27	03000828	DECAL WHEN HOOD IS OPEN USE
6.28	22813919	HOOD PROP HOOD
6.29.1	08704342	HANDLE GRAB OFFSET
6.29.1	08704347	HANDLE ALUM GRAB
6.29.2	54232654	BACKER ASY RTM HOOD HANDLE
6.30	06924049	BRKT HD GUIDE INNER F/G RTM
6.31	17900474	PLENUM SPACER 1" HALO
6.32	22817153	PATCH PLATE F/G HOOD LOWER TUBE
6.Ref	54232507-CHART	HOOD FGL RECT INCANDES
6.Ref	54232508-CHART	HOOD FGL RECT HALO
6.Ref	54232653	INSTALL GRAB HANDLE HOOD
6.Ref	54232523	INSTL COWL FILLER F/GLS RTM HD ALL



6—Hood, Aluminum



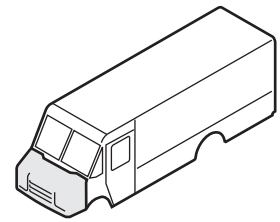
Hood, Aluminum

Utilimaster, 65528 State Road 19, P.O. Box 585, Wakarusa, IN 46573-0585, U.S.A.

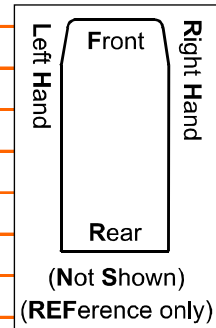
Email CustSvc@Utilimaster.com or Browse the web site www.utilimaster.com.

Call 800-237-7806 (or 574-862-3219) or Fax to 574-862-7637.

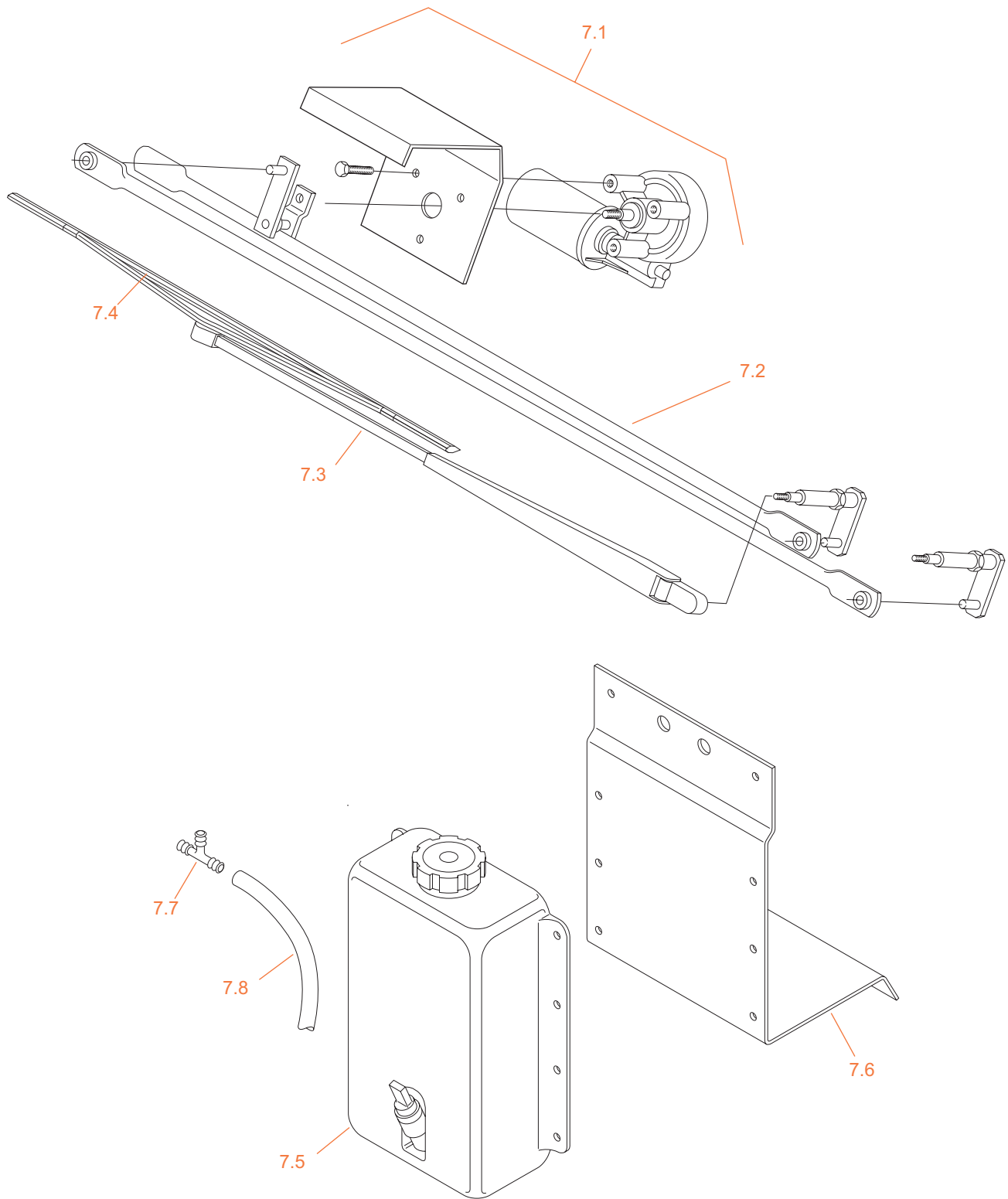
(See the Decoding Part Numbers section for Item, Part, and Description codes.)



Item	Part Number	Description
6.0		HOOD ASSEMBLY, ALUMINUM
6.1	BSNR	METAL, GRILL
6.2	BSNR	METAL, FENDER
6.3	BSNR	CATCH HOOD PROP
6.4	BSNR	METAL, HOOD
6.5	06601800-09350	STIFFENER 93.5W L/UP NOSE A&B
6.6 LH	06915794	CRNR *OE LH 2'1-15/16 06012019
6.6 RH	06915795	CRNR *OE RH 2'1-15/16 06012019
6.7	06600740	BRACKET HOOD ALIGN FRT WALKIN
6.8	06800020	CASTING HOOD CORNER
6.9	06012019-Length	IA4051 CRNR 06012019
6.10	06013029-Length	IA4701 TRACK 06013029
6.11	08705163-Length	HINGE .093 x 3" x L SS PIN
6.12	08610334	SPRING GAS 135# W/O LCK
6.13	BSNR	PROP ROD
6.14	22813856	BCKR HOOD CATCH
6.15	06003854-Length	IA7337 CHNL 06003854
6.16	06013009-Length	IA4175 HOOD 06013009
6.17	54231731	GRILL ASSEMBLY, FORMED 21.50
6.18	16100076	LIGHT FRONT TURN
6.19	16100073	GROMMET FRONT LAMP
6.20	BSNR	HEAD LIGHT ASSY
6.21	16100078	LIGHT SIDE MARKER
6.22	08704347	HANDLE ALUM GRAB
6.23	08700570	LATCH ENG COVER
6.24 LH	22101879	ALIGN BRKT HOOD LH# #30-36
6.24 RH	22101881	ALIGN BRKT HOOD RH# #30-36
6.25 LH	06601799	MOUNT GAS SPRING UPR LH
6.25 RH	06601798	MOUNT GAS SPRING UPR RH
6.26 LH	06601609	GUSSET HOOD LH #30-33 35,36
6.26 RH	06601610	GUSSET HOOD RH #30-33 35,36
6.27	22101878	BRKT COWL ALIGNMENT #32-35
6.28	BSNR	HOLDER DR SOFT SOCKET



7—Wiper System



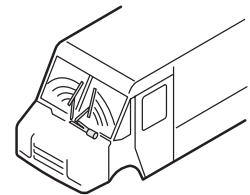
Wiper System

Utilimaster, 65528 State Road 19, P.O. Box 585, Wakarusa, IN 46573-0585, U.S.A.

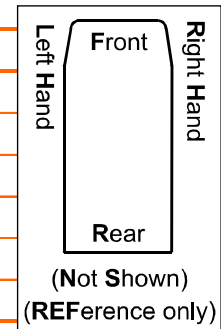
Email CustSvc@Utilimaster.com or Browse the web site www.utilimaster.com.

Call 800-237-7806 (or 574-862-3219) or Fax to 574-862-7637.

(See the Decoding Part Numbers section for Item, Part, and Description codes.)

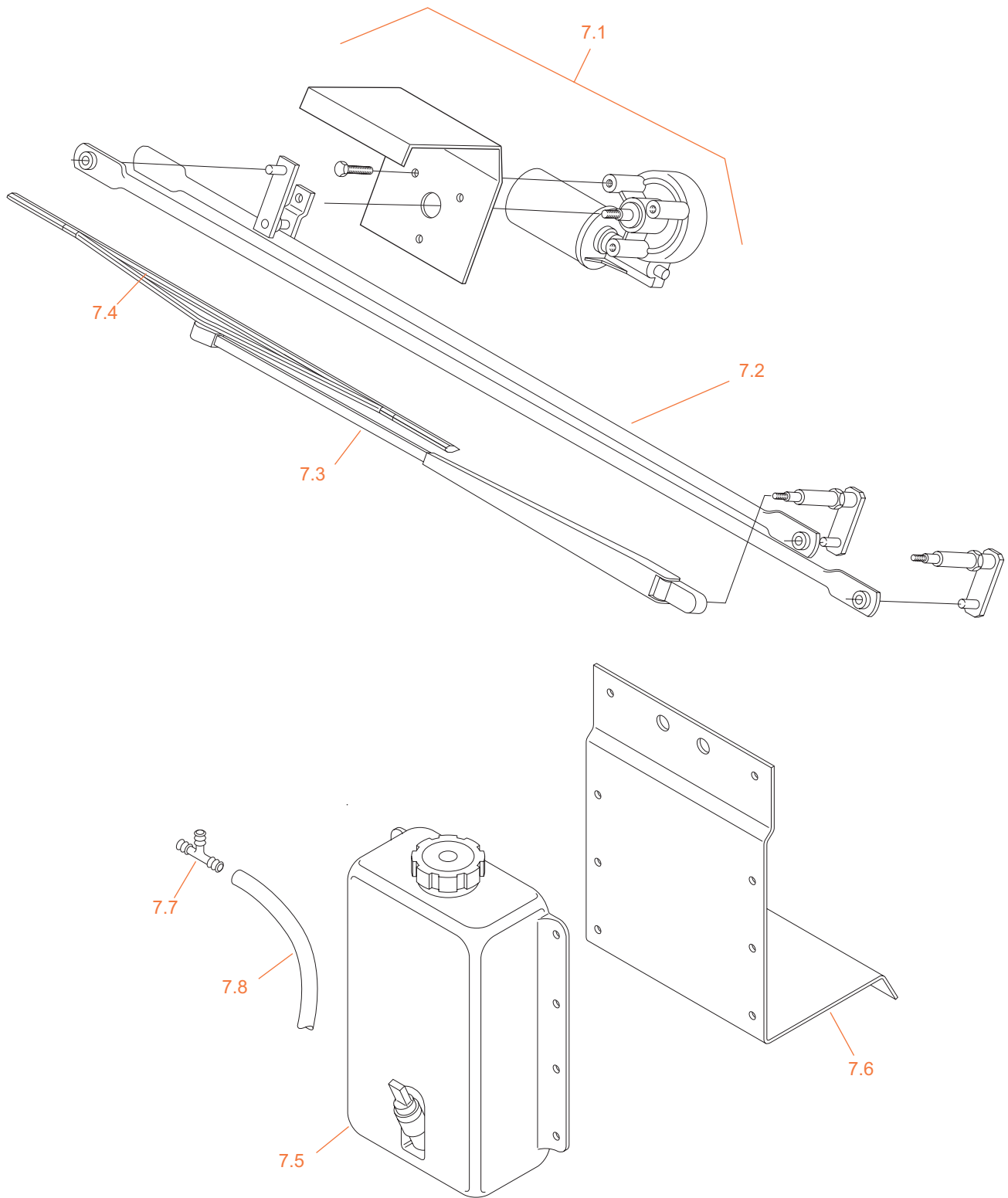


Item	Part Number	Description
7.0	64236779-CHART	WIPER ASY SINGLE
Bosch System (Prior to March 1999)		
7.1	08706624	MOTOR BRKT ASY WIPER
7.2.1	08610466	LINKAGE 78.5W TRUCK
7.2.2	09801393	LINKAGE 86.5-93.5W
7.3 LH	08706629	WIPER ARM LH LG SYSTEM
7.3.1 RH	08706628	WIPER ARM RH SMALL SYS
7.3.2 RH	08706628	WIPER ARM SYSTEM RH
Trico System (March 1999 to April 2001)		
7.1	09801548	MOTOR BRKT ASY WIPER
7.2.1	09801531	LINKAGE 78.5W TRUCK
7.2.2	09801569	LINKAGE 86.5-93.5W
7.3 LH	09801539	WIPER ARM LH LG SYSTEM
7.3.1 RH	09801533	WIPER ARM RH SMALL SYS
7.3.2 RH	09801534	WIPER ARM SYSTEM RH
Trico System (After April 2001)		
7.1	09801632	MOTOR BRKT ASY WIPER
7.2.1	09801630	LINKAGE 78.5W TRUCK
7.2.2	09801631	LINKAGE 86.5-93.5W
7.3 LH	09801539	WIPER ARM LH LG SYSTEM
7.3.1 RH	09801533	WIPER ARM RH SMALL SYS
7.3.2 RH	09801534	WIPER ARM SYSTEM RH
7.4	09801532	WIPER BLADE 24"
7.5.1	08713382	BOTTLE WASHER ASY 4QT
7.5.2	08610254	BTL WASHER ASY 1GL
7.6	06601770	BRACKET WASHER BOTTLE 4QT
7.7.1	08713438	TEE WASHER 1/8 X 1/8 X 3/16
7.7.2	09801594	** TEE WASHER 1/8 X 1/8 X 3/16
7.7.3	09801600	TEE WASHER 1/8 X 1/8 X 5/32
7.8	01400711	HOSE 5/32" W/S WASHER



Continued

7—Wiper System (continued)



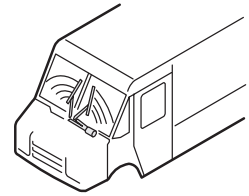
Wiper System

Utilimaster, 65528 State Road 19, P.O. Box 585, Wakarusa, IN 46573-0585, U.S.A.

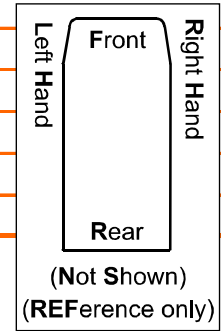
Email CustSvc@Utilimaster.com or **Browse** the web site www.utilimaster.com.

Call 800-237-7806 (or 574-862-3219) or **Fax** to 574-862-7637.

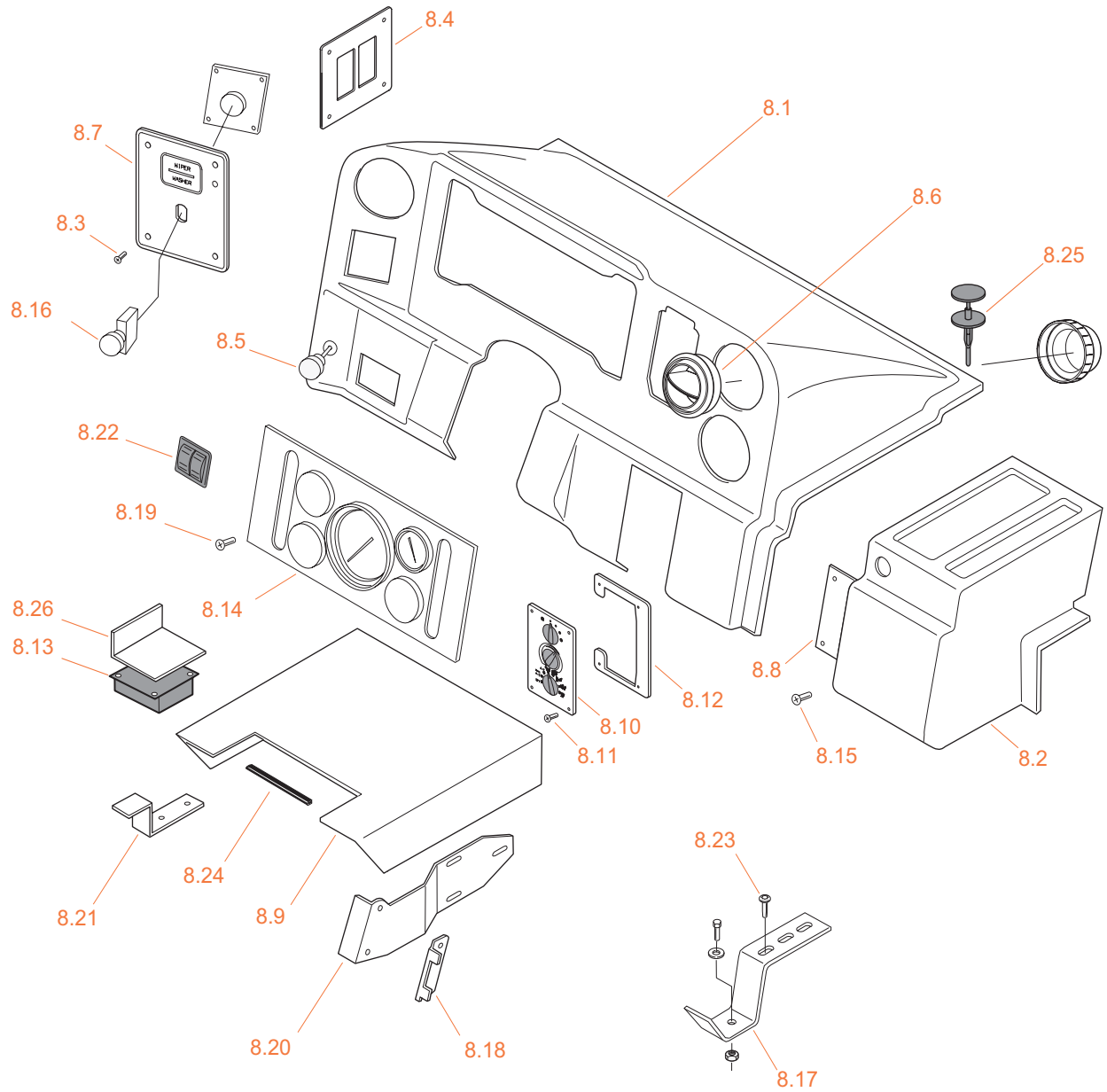
(See the Decoding Part Numbers section for Item, Part, and Description codes.)



Item	Part Number	Description
7.NS	09801535	WIPER PARTS PACK
7.NS	09801536	WIPER SM MANUAL MAINTENANCE
7.NS	09801542	WIPER LG MANUAL MAINTENANCE
7.NS	16100186	WIPER DELAY MODULE
7.NS	16512188	WIPER MODULE W/CONN



8—Dash



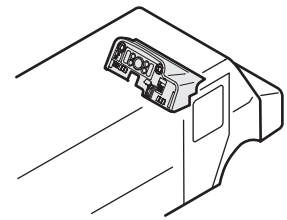
Dash

Utilimaster, 65528 State Road 19, P.O. Box 585, Wakarusa, IN 46573-0585, U.S.A.

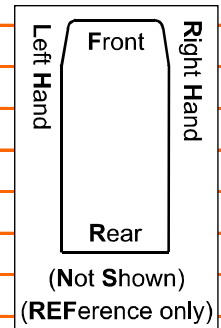
Email CustSvc@Utilimaster.com or Browse the web site www.utilimaster.com.

Call 800-237-7806 (or 574-862-3219) or Fax to 574-862-7637.

(See the Decoding Part Numbers section for Item, Part, and Description codes.)

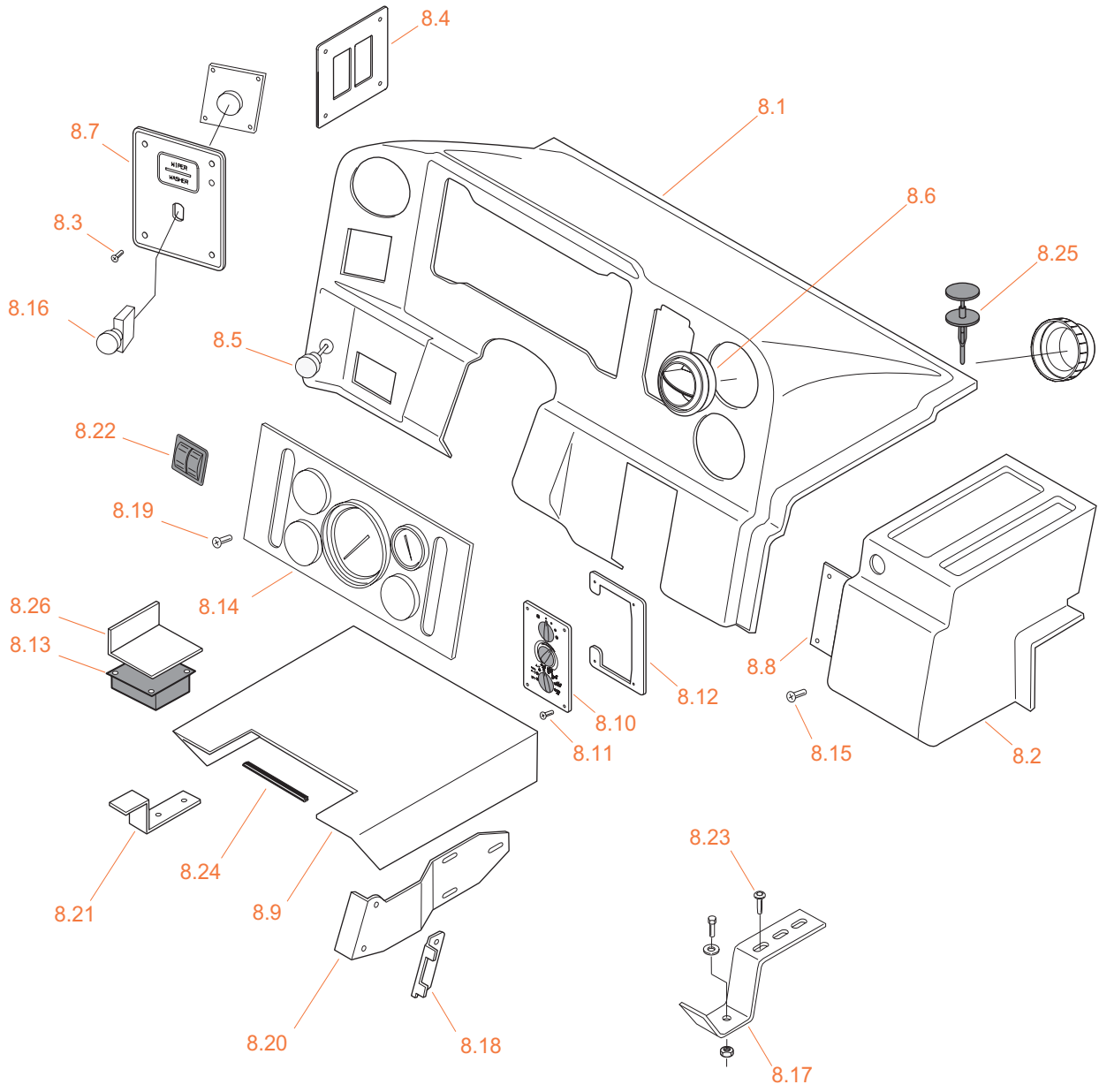


Item	Part Number	Description
8.0	64236023	DASH INST FRTLNR
8.1	20510046	DASH ABS FRMD
8.2	20510268	COVER HEATER CABLE
8.3	11300342	SCRW #6 x 3/4
8.4	22815089	BRKT TOGGLE PANEL ISB FRTLNR
8.5	Chassis Supplied	SWITCH-HEADLAMP
8.6	17990611	HEATER LOUVER (2-PIECE)
8.7	16511924	PLATE MTG WIPER SWITCH
8.8	06921519	PLATE CUP HOLDER REINF (A-1000 Transmission)
8.9.1	22813472	SUPPORT DASH #31,35
8.9.2	22816002	SUPPORT DASH #32
8.9.3	22815296	SUPPORT DASH #32
8.10	See Heater Section	HEATER CONTROL
8.11	11301612	SCREW #8 x 1
8.12	06915592	MOUNT HEATER CONTROL .09AL
8.13	16512776	MODULE ACCESS CNTRL KYLS
8.14	Chassis Supplied	PANEL INSTRUMENT
8.15	11300251	SCRW #8 x 3/4 MODI TRS
8.16.0	16015628	SWITCH WIPER
8.16.1	08400137	KNOB, WIPER SWITCH
8.17	06917489	SUPPORT DASH LOWER
8.18	22813473	SUPPORT DASH RIGHT SIDE
8.19	11600517	SCREW #6-32 x 1-1/4 PN PH
8.20.1	22813474	MOUNT SHIFTER RH #32,35
8.20.2	22813991	SUPPORT DASH RH #32,35
8.21	22813767	SUPPORT UPPER DASH
8.22.1	16511993	SWTCH BODY ON/OFF (POWER VENT)
8.22.2	16511793-END	BEZEL SWITCH END
8.22.3	16511793-MID	BEZEL SWITCH MIDDLE
8.22.4	16511793-SGL	BEZEL SWITCH SINGLE
8.22.5	16511995	SW BODY ON/OFF/ON (AUX HEATER)
8.22.6	16512004	ACTR LIGHTS/RED LENS
8.22.7	16512005	ACTUATOR FAN/RED LENS
8.22.8	16512034	ACTR PWR VENT RD LENS



Continued

8—Dash (continued)



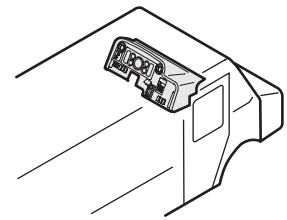
Dash

Utilimaster, 65528 State Road 19, P.O. Box 585, Wakarusa, IN 46573-0585, U.S.A.

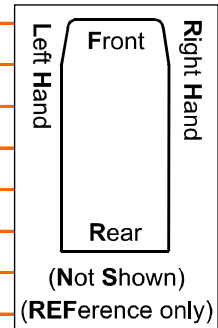
Email CustSvc@Utilimaster.com or Browse the web site www.utilimaster.com.

Call 800-237-7806 (or 574-862-3219) or Fax to 574-862-7637.

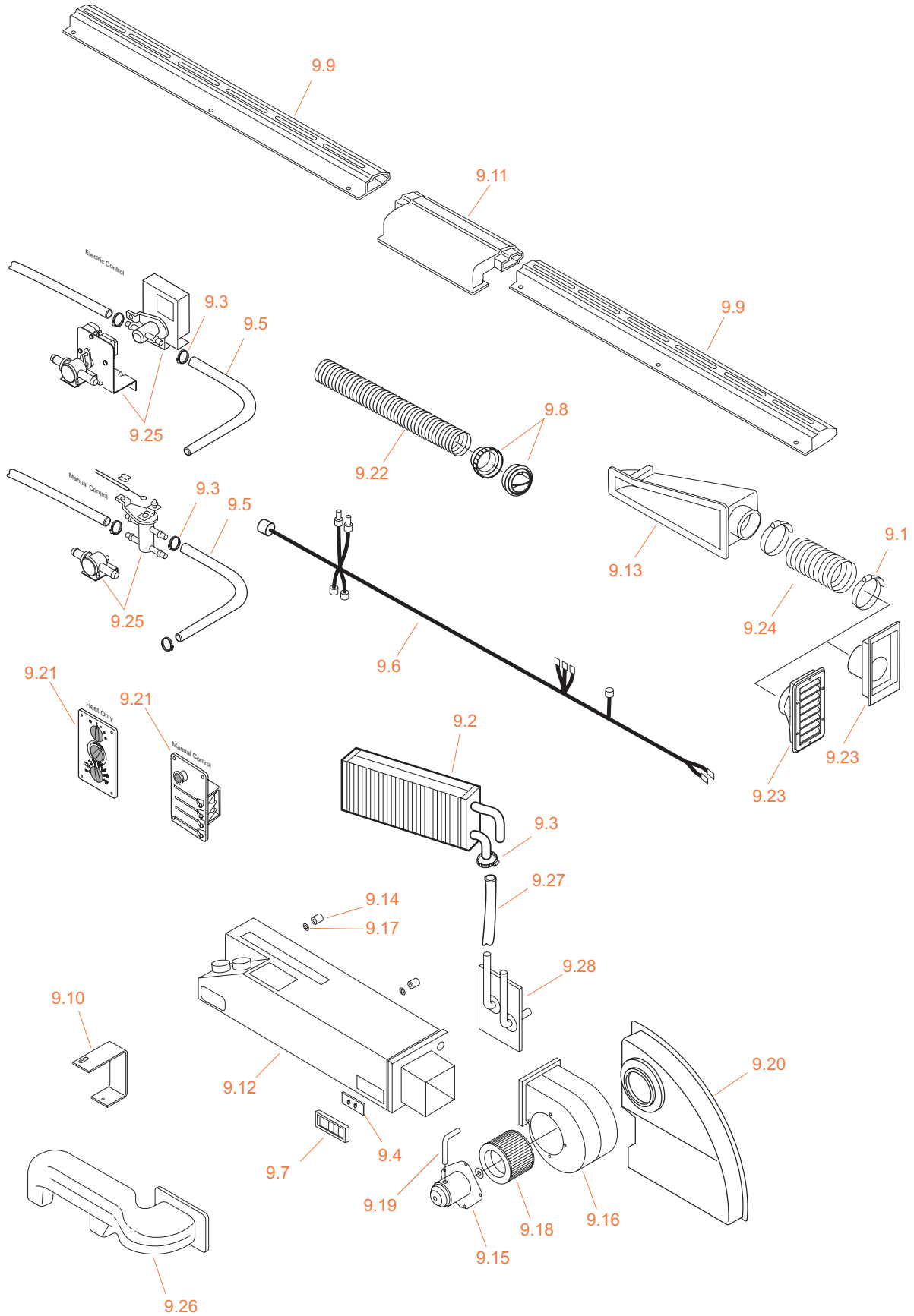
(See the Decoding Part Numbers section for Item, Part, and Description codes.)



Item	Part Number	Description
8.22.9	16512068	BODY OFF/MOM-ON SW
8.22.10	16100095	ACTUATOR NO LIGHT
8.22.11	16511807	ACTUATOR "CARGO LPS"
8.22.12	16511815	ACTUATOR "BEACON"
8.22.13	16511994	SWITCH BODY ON/ON
8.22.14	16511996	ACTUATOR W/GREEN LENS
8.22.15	16511997	ACTUATOR FANS
8.22.16	16511998	ACTUATOR DOME LAMP
8.22.17	16511999	ACTUATOR MIRROR DEF
8.22.18	16512000	ACTUATOR LIGHTS
8.22.19	16512001	ACTUATOR STROBE LIGHT
8.22.20	16512002	ACTUATOR SPOT LIGHT
8.22.21	16512003	ACTUATOR AUX HEATER
8.22.22	16512026	ACTUATOR POWER VENT
8.22.23	16512027	ACTR AUX HTR/RED LENS
8.23	11305082	SCREW 1/4-20 x 1 TORX F PNHD
8.24	05302302	TRIM LOCK BLK 1/8" W/ALUM INST
8.25	08706705	TUF LOK FSTNER
8.26	06922129	BRACKET MOUNT LH DR ACCESS MOD
8.NS	01000128	SHUTDWN MURPHY
8.NS	01000113	SHUTDOWN MURPHY
8.NS	16511926	FLASHER DOOR AJAR
8.NS	12300537	TAPE BLK 1/16 x 1" x 54'
8.Ref	64236955	INSTALL MURPHY SHUTDOWN CHART
8.Ref	64236273	** MURPHY S/DWN INST DASH #32,35
8.Ref	64236640-CHART	INSTALL ADD LWR DASH SPT
8.Ref	64236187	INSTALL DASH FASTENER



9—Heat (Only) System



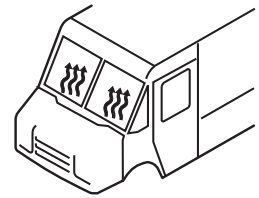
Heat (Only) System

Utilimaster, 65528 State Road 19, P.O. Box 585, Wakarusa, IN 46573-0585, U.S.A.

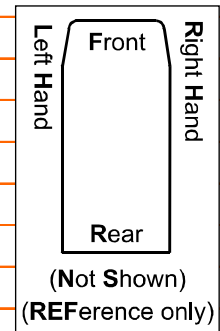
Email CustSvc@Utilimaster.com or Browse the web site www.utilimaster.com.

Call 800-237-7806 (or 574-862-3219) or Fax to 574-862-7637.

(See the Decoding Part Numbers section for Item, Part, and Description codes.)

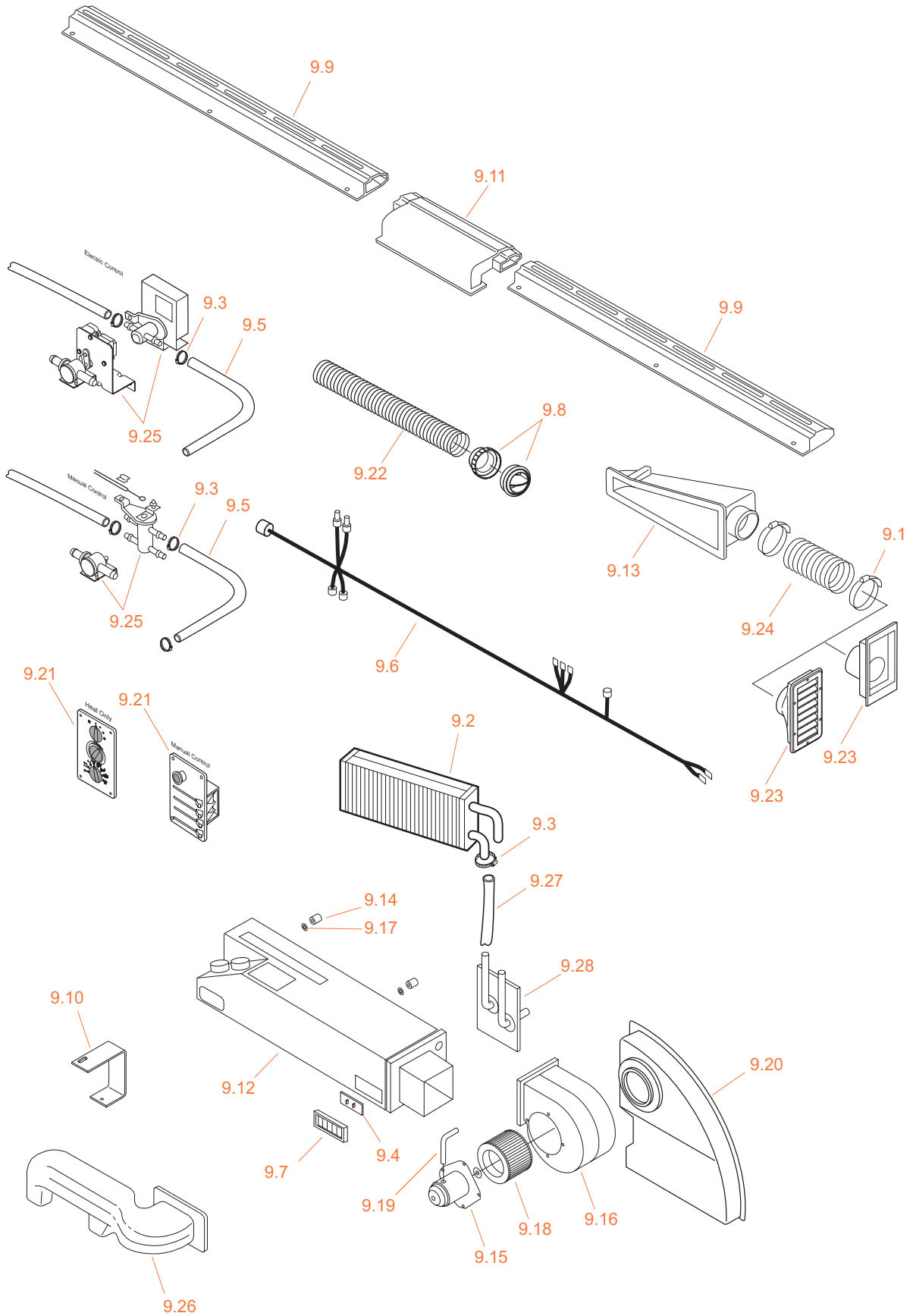


Item	Part Number	Description
9.0 H		PLENUM HTR ELECT 2"
9.1	08707558	CLAMP HOSE 4.5"
9.2.1	17900938	HEATER CORE W/END CAP
9.2.2	17900937	HEATER CORE W/90° TUBE
9.2.3	17990741	KIT 2" HTR CORE (ONLY) 31, 32, 33, 35
9.3	08707557	CLAMP, HOSE
9.4	17990626	RESISTOR
9.5.1	18504604	HOSE SILICONE 5/8" I.D. HTR HS
9.5.2	19200949	HOSE 5/8 ID GRN STRIPE
9.6	17990533	HARNESS, HEATER LAMPS
9.7	07200065	DUCT RH FLOOR DUMP
9.8	17990611	HEATER LOUVER
9.9 LH	17990654	DEFROST DUCT LH
9.9 RH	17990655	DEFROST DUCT RH
9.10	06917488	SUPPORT FOOT DUMP
9.11	17900544	TRANSITION DUCT ASSY
9.12.1 E	17900777	PLENUM HTR ELECT 2"
9.12.2 E	17900853	PLENUM HTR ELECT
9.12.1 M	17900778	** PLEN HTR CABL TUB/FIN
9.12.2 M	17900893	PLENUM HEATER CABLE
9.12.3 M	17900894	PLENUM HEATER CABLE
9.13	17900585	FRESH AIR INLET
9.14	17900730	SPACER PLENUM 5/8" LG
9.15	17900620	BLOWER MOTOR ONLY
9.16 .0	17900701	BLWR MOTOR ASY W/LNG LIFE MTR
9.16.1	17990649	BLOWER HOUSING
9.16.2	17900438	CLIP, BLOWER HOUSING
9.17	17900733	CLIP RTNR PLEN SPACER
9.18	17990588	BLOWER WHEEL
9.19	17900439	VENT TUBE
9.20	17990659	INLET DUCT



Continued

9—Heat (Only) System (continued)



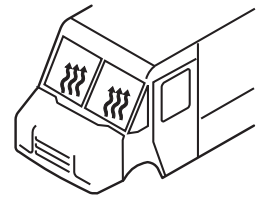
Heat (Only) System

Utilimaster, 65528 State Road 19, P.O. Box 585, Wakarusa, IN 46573-0585, U.S.A.

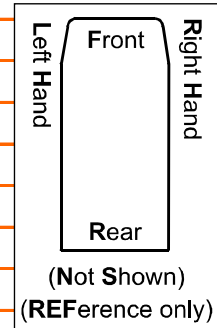
Email CustSvc@Utilimaster.com or Browse the web site www.utilimaster.com.

Call 800-237-7806 (or 574-862-3219) or Fax to 574-862-7637.

(See the Decoding Part Numbers section for Item, Part, and Description codes.)

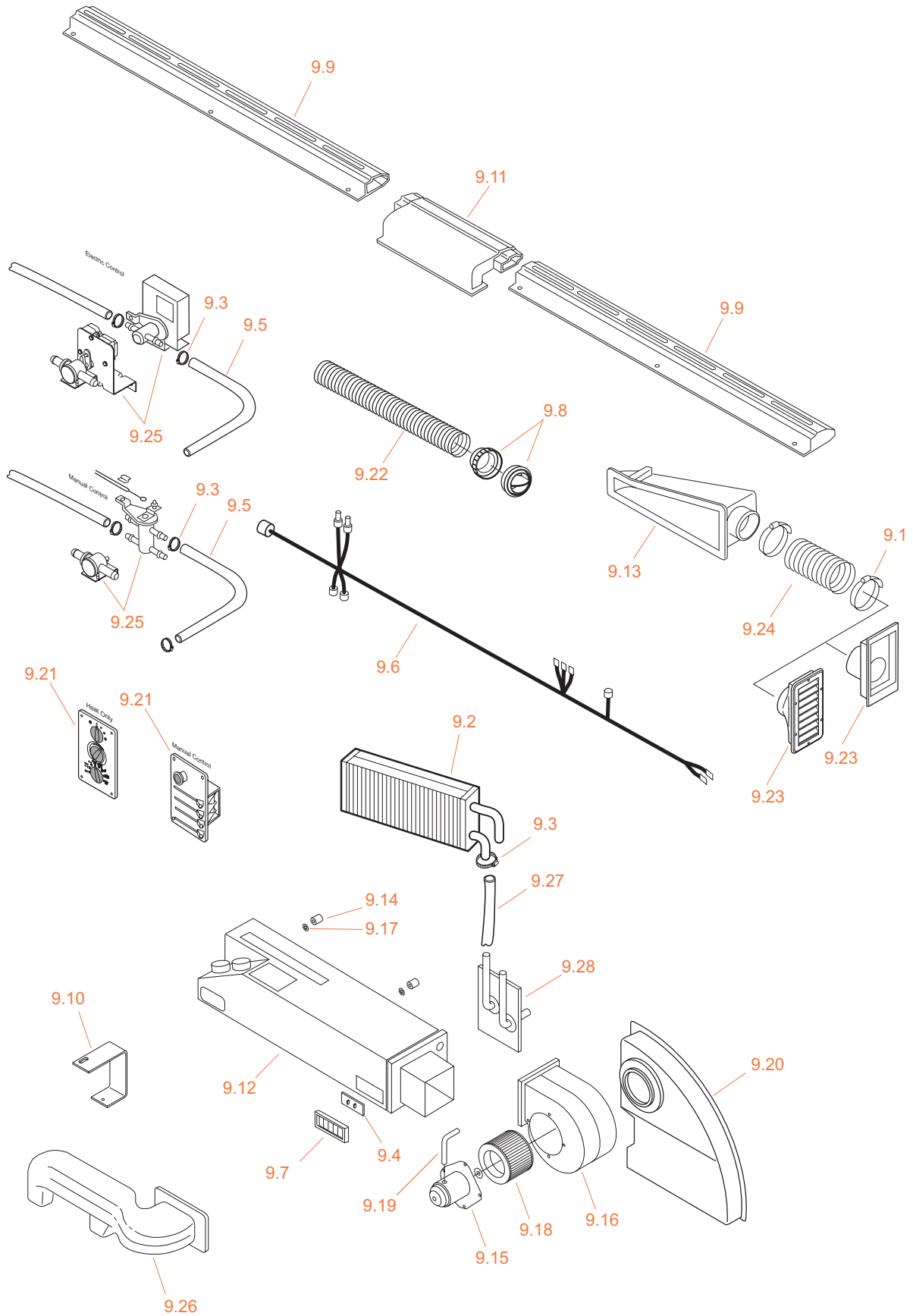


Item	Part Number	Description
9.21 E	17900758	HEAD ELEC CTRL HTR
9.21 M	17900586	CONTROL HEAD ASSY HTR
9.21.1	17990869	BLOWER SWITCH
9.21.2	17990722	SWITCH CONTROL HD POTENT
9.21.3	17990723	SWITCH HEAT MODE W\HARNESS
9.21.4	17990724	SWITCH AC MODE W\HARNESS
9.21.5	17990717	BLOWER SWITCH KNOB
9.21.6	17990632	CONTROL LEVER
9.21.7	17990633	CONTROL LEVER KNOB
9.21.8	17900758	CONTROL PLATE
9.21.9	07206223	CONTROL PLATE DECAL (HEAT ONLY)
9.21.10	17900746	CONTROL HOUSING
9.21.11	17990718	CONTROL KNOB POTENT
9.21.12	17990719	CONTROL KNOB MODE
9.21.13	17990725	CONTROL MODULE HEAT
9.22	17900493	HOSE 2.5" FLEX HEAT DUCT
9.23.1	07206117	PLENUM INLET AIR
9.23.2	17900920	LOUVER ASSEMBLY ABS
9.24	01401392	HOSE 4" ID x 6' AIR DUCT BLACK
9.25.1	23002134	VALVE (ONLY) COOLANT PLSTIC RETROFIT
9.25.2	17900974	VALVE COOLANT W\SERVO WATER RESIS
9.25.3	23002127	VALVE AND SEVO SK W\ADAPTORS
9.25.4	17900374	**VALVE SHUTOFF 2-PORT METAL MANUAL
9.25.5	17900712	**VALVE SHUTOFF ELECT
9.25.6	17900857	**VALVE COOLANT SEALED METAL ELECT
9.26	07206127	DUCT, LH FLOOR DUCT
9.27.1	17900748	HTR HOSE MOLDED BKHD
9.27.2	17900490	HOSE HTR .63 MOLDED 90°
9.28.1	17900814	TUBE BLKHD FTG STD
9.28.2	17900722	**TUBE BLKHD FTG



Continued

9—Heat (Only) System (continued)



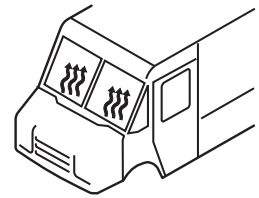
Heat (Only) System

Utilimaster, 65528 State Road 19, P.O. Box 585, Wakarusa, IN 46573-0585, U.S.A.

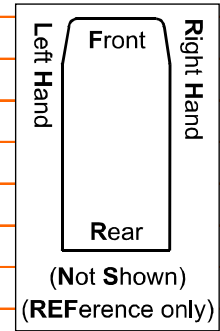
Email CustSvc@Utilimaster.com or Browse the web site www.utilimaster.com.

Call 800-237-7806 (or 574-862-3219) or Fax to 574-862-7637.

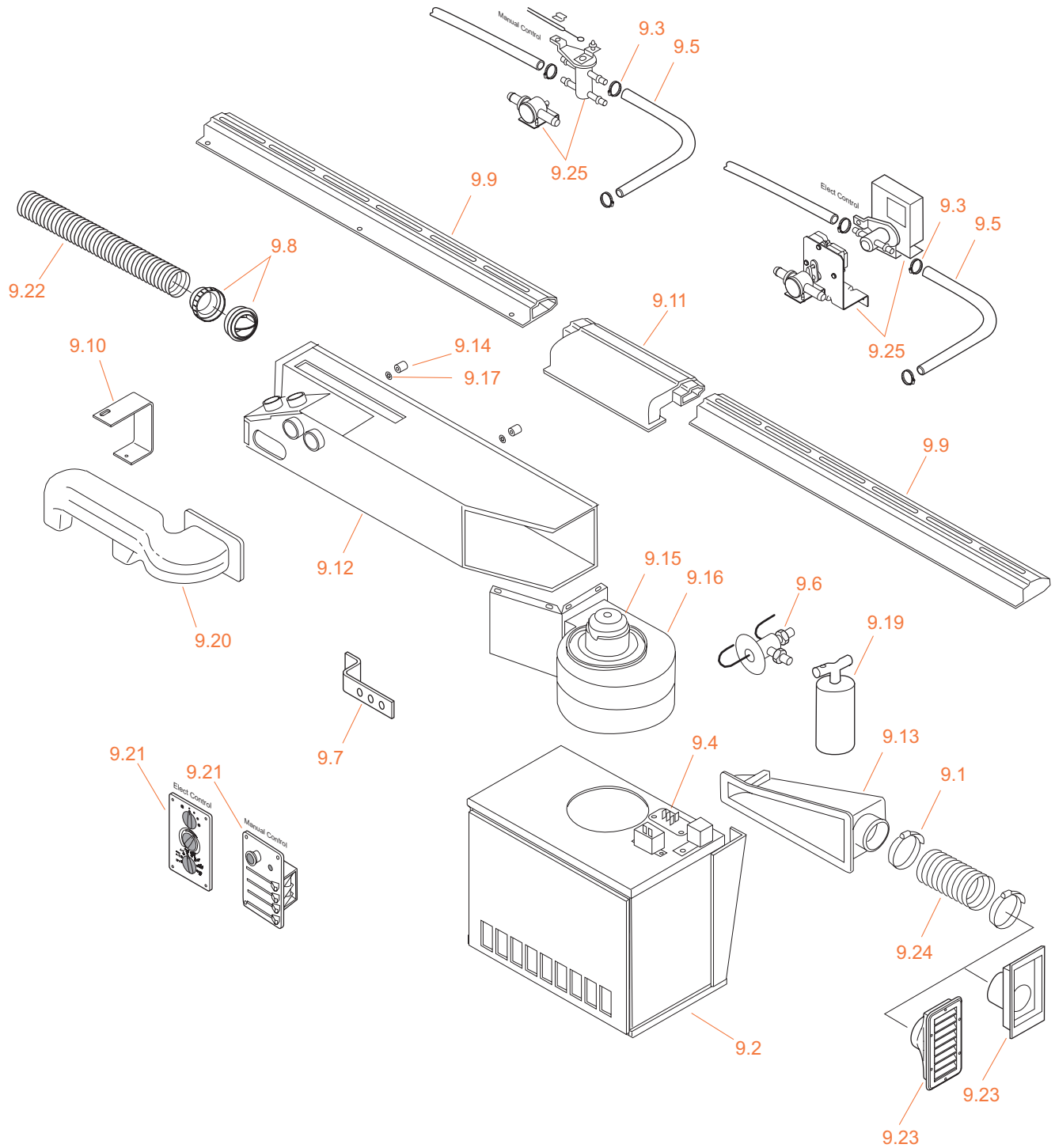
(See the Decoding Part Numbers section for Item, Part, and Description codes.)



Item	Part Number	Description
9.NS	08706165	CLAMP, HOSE 5/8"
9.NS	17990720	MOTOR ACTUATOR WATER VALVE
9.NS	17990721	MOTOR ACTUATOR ALL DR
9.NS	16512931	PLENUM BULB
9.NS	17990638	HEATER RELAY
9.NS	08707479	CLAMP VINYL-COATED 1-1/2"
9.NS	08707481	CLAMP VINYL COATED 7/8"
9.NS	12300540	SEALANT BLACK
9.NS	08707556	CLAMP HOSE 11/16 1-1/4
9.NS	17208044	HEATER 65,000 BTU
9.NS	17208031	HEATER AUX 50K BTU
9.NS	17990648	HTR AUX 12,500 BTU
9.NS	17900587	HARDWARE SACK HEATER
9.NS	17990698	CABLE HTR CNTRL 50"
9.Ref	64236585	INSTL PLENUM SPACER HEAT
See also Heating and Air Conditioning System.		



9—Heating and Air Conditioning System



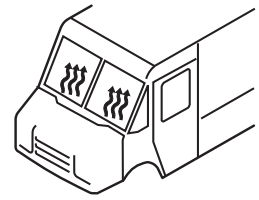
Heating and Air Conditioning System

Utilimaster, 65528 State Road 19, P.O. Box 585, Wakarusa, IN 46573-0585, U.S.A.

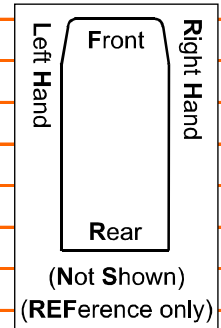
Email CustSvc@Utilimaster.com or Browse the web site www.utilimaster.com.

Call 800-237-7806 (or 574-862-3219) or Fax to 574-862-7637.

(See the Decoding Part Numbers section for Item, Part, and Description codes.)

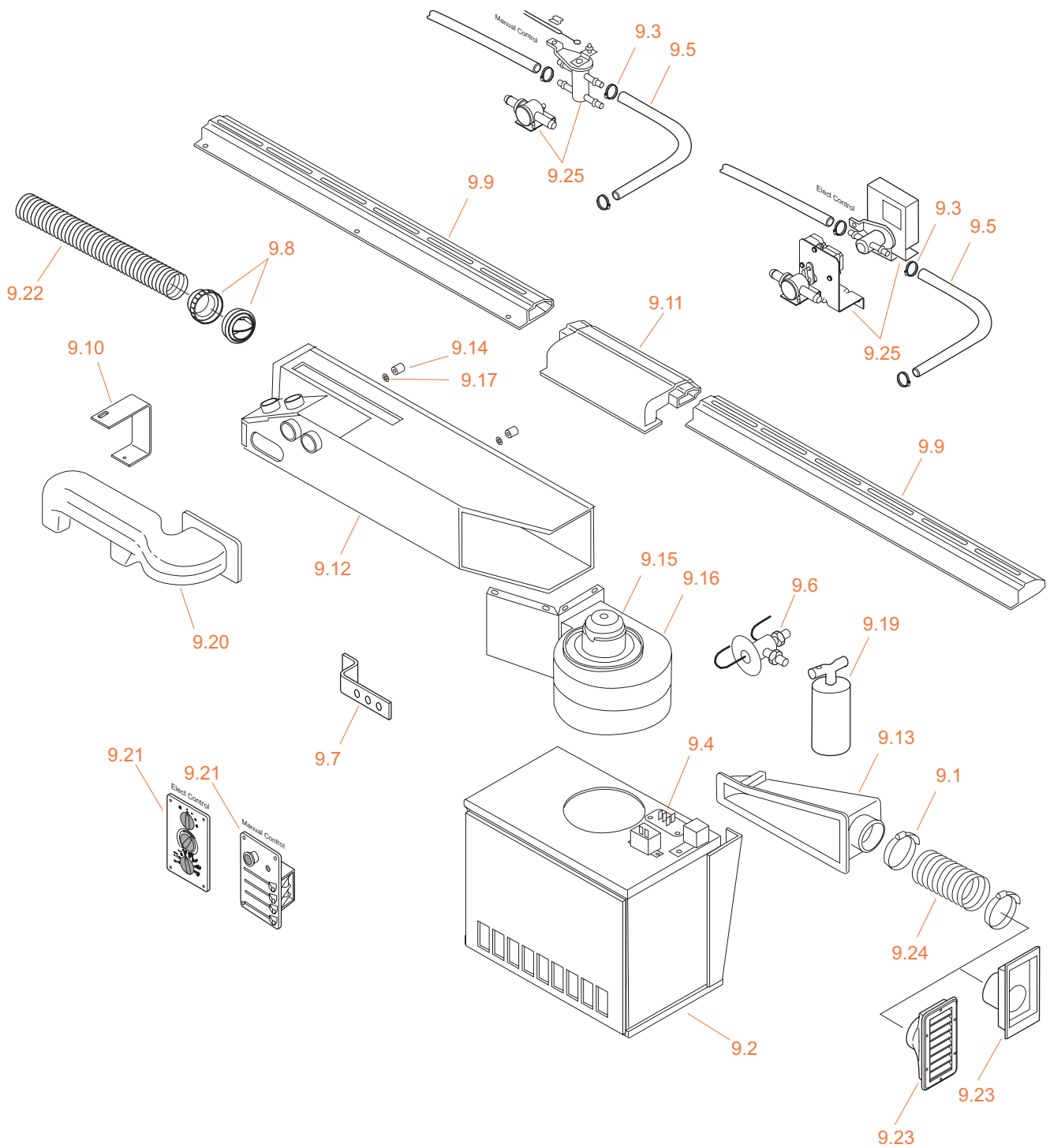


Item	Part Number	Description
9.0		PLEN A/C ALL BLK
9.1	08707558	CLAMP HOSE 4.5"
9.2	17900855	EVAP ASSY ELECT
9.3	08707557	CLAMP HOSE
9.4	17990626	RESISTOR
9.5.1	18504604	HOSE SILICONE 5/8" I.D. HTR HS
9.5.2	19200949	HOSE 5/8 ID GRN STRIPE
9.6	BSNR	EXPANSION VALVE
9.7	22813702	BRKT A/C MULTI PURPOSE
9.8	17990611	HEATER LOUVER
9.9 LH	17990654	DEFROST DUCT LH
9.9.1 RH	17990655	DEFROST DUCT RH
9.9.2 RH	17900856	DEFROST DUCT RH
9.10	06917488	SUPPORT FOOT DUMP
9.11	17900544	TRANSITION DUCT ASSY
9.12	17900743	PLEN A/C ELCT ALL BLK
9.13	17900585	FRESH AIR INLET
9.14	17900730	SPACER PLENUM 5/8"LG
9.15	17900620	BLOWER MOTOR, HEAT
9.16.0	17900744	BLOWER ASY A/C ELECT
9.16.1	17900854	BLWR MTR ASSY W/RECIR
9.16.2	17900701	BLOWER MOTOR HOUSING, HEAT
9.17	17900733	CLIP RTNR PLEN SPACER
9.18	17990588	BLOWER WHEEL
9.19.0	BSNR	REC/DRY LIT ELCT
9.19.1	BSNR	HIGH PRESSURE SWITCH
9.20	07206127	DUCT, LH FLOOR DUCT



Continued

9—Heating and Air Conditioning (continued)



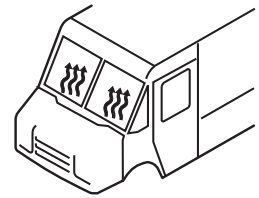
Heating and Air Conditioning System

Utilimaster, 65528 State Road 19, P.O. Box 585, Wakarusa, IN 46573-0585, U.S.A.

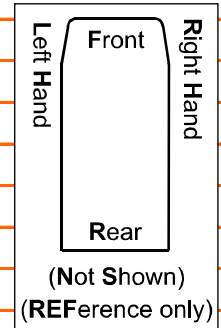
Email CustSvc@Utilimaster.com or Browse the web site www.utilimaster.com.

Call 800-237-7806 (or 574-862-3219) or Fax to 574-862-7637.

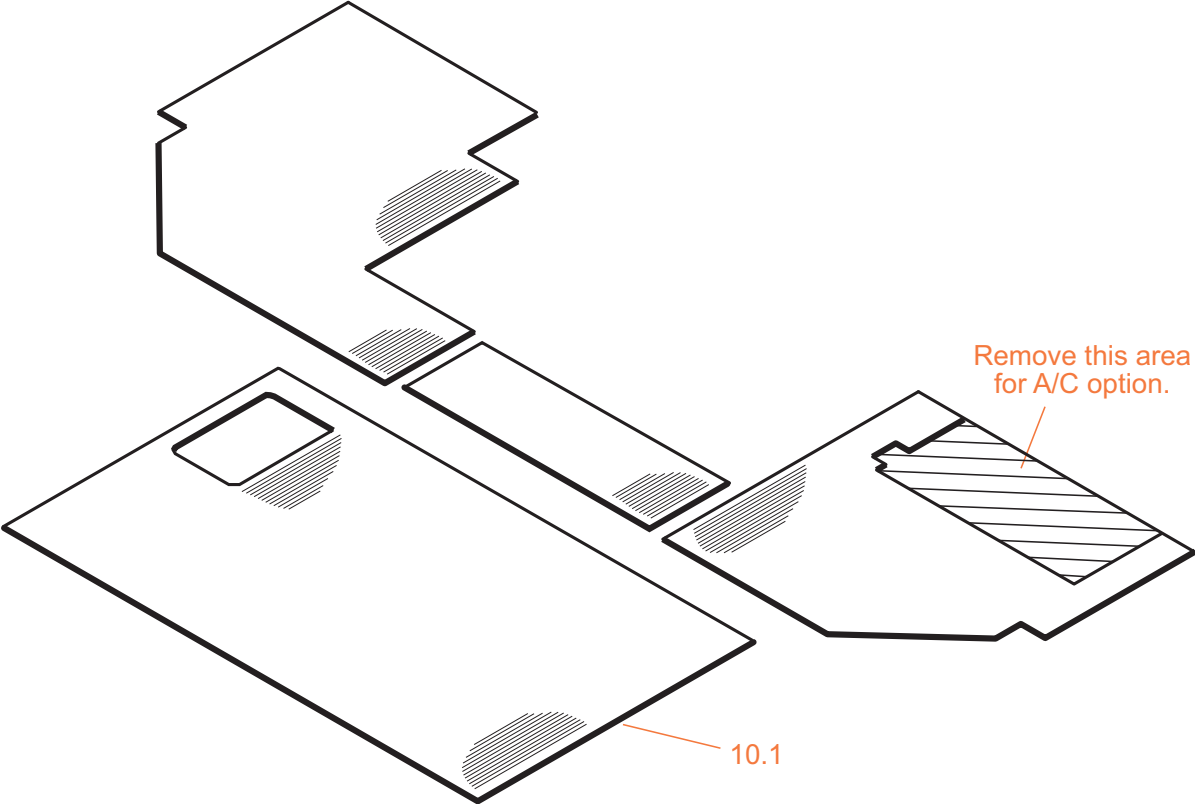
(See the Decoding Part Numbers section for Item, Part, and Description codes.)



Item	Part Number	Description
9.21.0 E	17900746	CONTROL HOUSING ELECTRIC
9.21.1	17990869	BLOWER SWITCH
9.21.2	17990722	SWITCH CONTROL HD POTENT
9.21.3	17990723	SWITCH HEAT MODE W/HARNESS
9.21.4	17990724	SWITCH AC MODE W\HARNESS
9.21.5	17990717	BLOWER SWITCH KNOB
9.21.6	17990719	CONTROL KNOB MODE
9.21.7	07206224	CONTROL PLATE DECAL (AC)
9.22	17900493	HOSE 2.5" FLEX HEAT DUCT
9.23.1	07206117	PLENUM INLET AIR
9.23.2	17900920	LOUVER ASSEMBLY ABS
9.24	01401392	HOSE 4" ID x 6' AIR DUCT BLACK
9.25.1	23002134	VALVE (ONLY) COOLANT PLSTIC RETROFIT
9.25.2	17900974	VALVE COOLANT W\SERVO WATER RESIS
9.25.3	23002127	VALVE AND SEVO SK W\ADAPTORS
9.25.4	17900374	**VALVE SHUTOFF 2-PORT METAL MANUAL
9.25.5	17900712	**VALVE SHUTOFF ELECT
9.25.6	17900857	**VALVE COOLANT SEALED METAL ELECT
9.NS	07206148	GASKET A/C DUCT TO PLENUM
9.NS	17900752	SACK KIT NON-FX ELECT
9.NS	17900753	REC/DRIER STD BLK PCK
9.NS	17900745	SACK KIT ELCT A/C
9.NS	17900792	KIT A/C COMP MTG ISB FRTLR
9.NS	17990614	GASKET/O-RING
9.NS	16512070	HARNESS AC PRES SW
9.NS	17900808	SWITCH FAN CLUTCH W/A/C
9.NS	16400538	HARNESS CAB A/C #32, 35
9.NS	17900461	CONDENSER KIT #35
9.NS	12300540	SEALANT BLACK
9.NS	17990638	HEATER RELAY
9.NS	08707479	CLAMP VINYL-COATED 1-1/2"
9.NS	08707481	CLAMP VINYL COATED 7/8"
9.Ref	64236825	INSTALL A/C HOSES
	For covers, see Section 13.	



10—Cab Matting, Ribbed



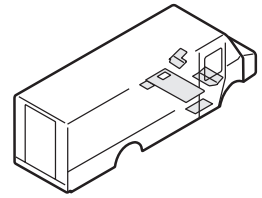
Cab Matting, Ribbed

Utilimaster, 65528 State Road 19, P.O. Box 585, Wakarusa, IN 46573-0585, U.S.A.

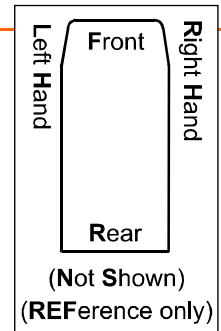
Email CustSvc@Utilimaster.com or **Browse** the web site www.utilimaster.com.

Call 800-237-7806 (or 574-862-3219) or **Fax** to 574-862-7637.

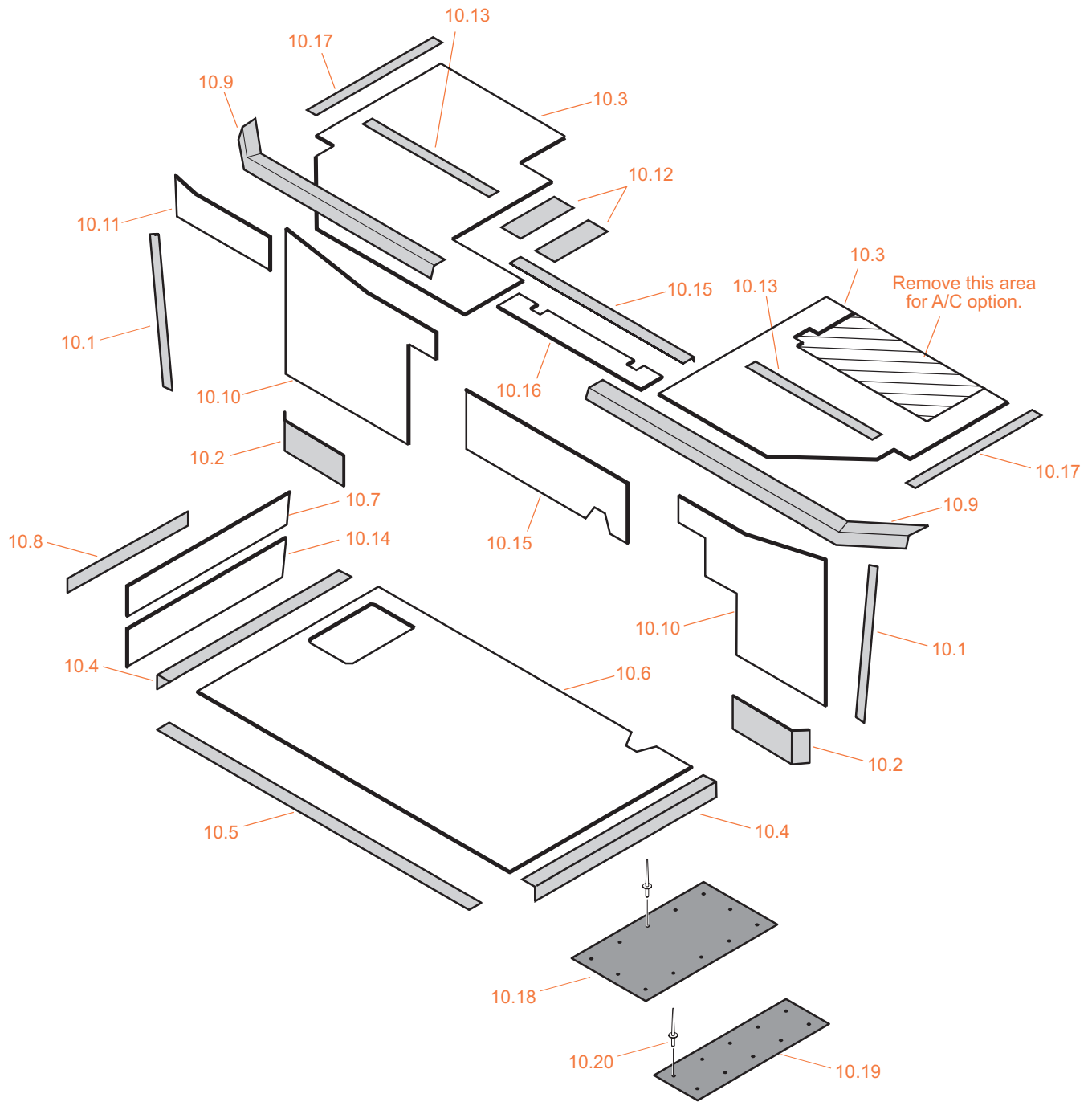
(See the Decoding Part Numbers section for Item, Part, and Description codes.)



Item	Part Number	Description
10.1	01520206	RUBBER MAT RIBBED 36"W ROLL



10—Cab Matting, Standard Heavy-duty



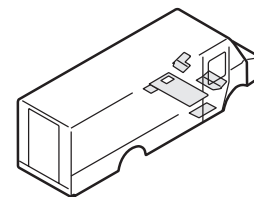
Cab Matting, Standard Heavy-duty

Utilimaster, 65528 State Road 19, P.O. Box 585, Wakarusa, IN 46573-0585, U.S.A.

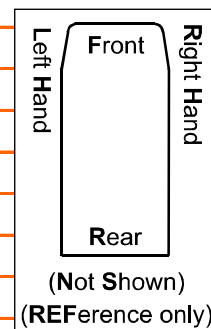
Email CustSvc@Utilimaster.com or Browse the web site www.utilimaster.com.

Call 800-237-7806 (or 574-862-3219) or Fax to 574-862-7637.

(See the Decoding Part Numbers section for Item, Part, and Description codes.)

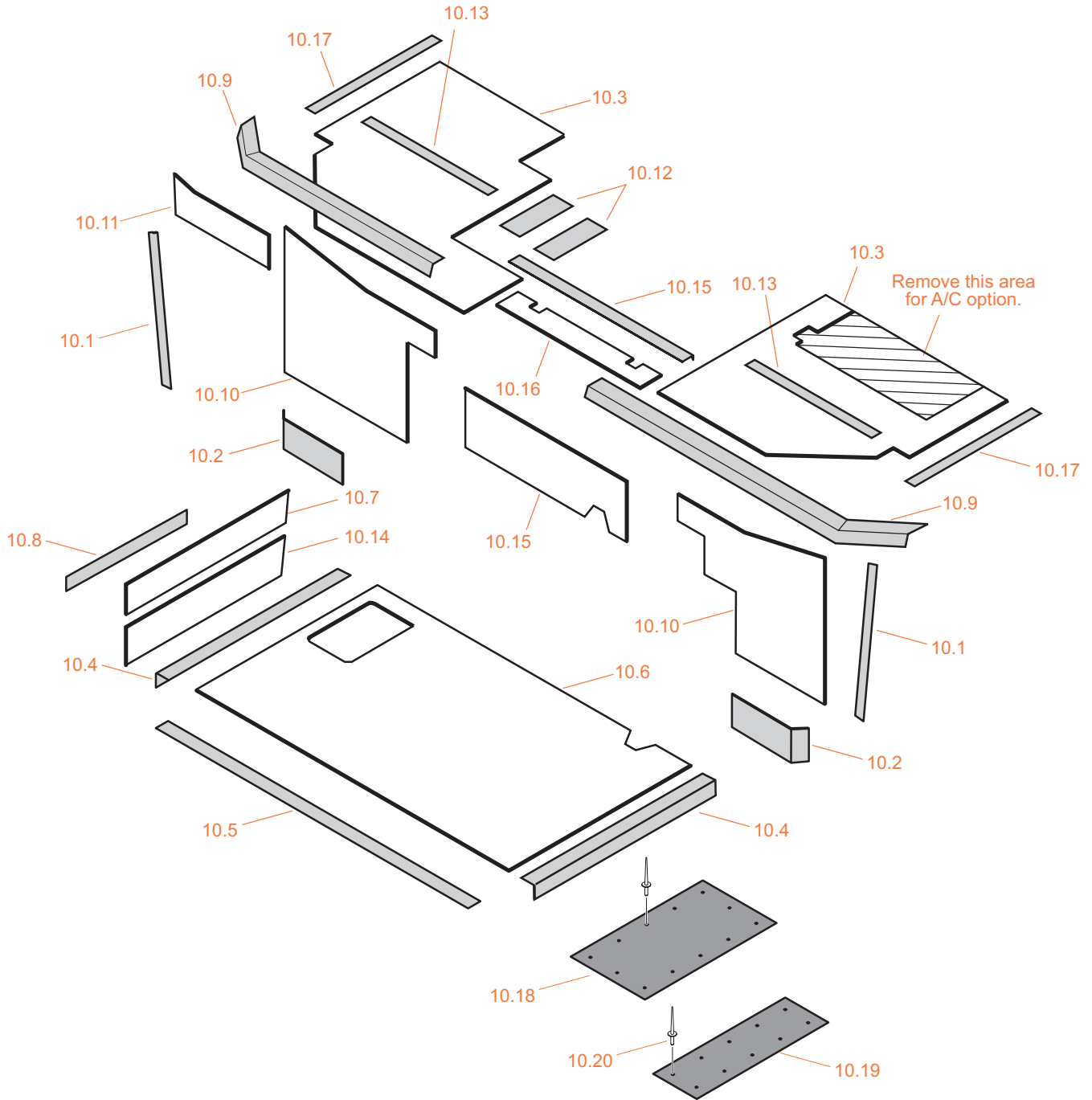


Item	Part Number	Description
10.0		LAYOUT HD MAT FRT FLR
10.1 LH	06916721	TRIM MAT S/WELL VERT LH #35
10.1 RH	06916720	TRIM MAT S/WELL VERT RH #35
10.2.1	06916713-Length	TRIM S/WELL FRONT TREADPLATE #35
10.2.2	06921317-Length	TRIM S/WELL FRONT SMOOTH #35
10.3 LH	14200646-Width	MAT FLR RISER LH CHART #35
10.3 RH	14200647-Width	MAT FLR RISER RH CHART #35
10.4 LH	06916191-Length	TRIM MAT RISER LH 30-36
10.4 RH	06916189-Length	TRIM MAT RISER RH #30-36
10.5	06916629-Length	TRIM MAT CRGO FLR
10.6.1	14200648	MAT CAB FLR CENTER #35
10.6.2	14200831-Width	MAT CAB FLR CTR LH DRLS CHART
10.7	14200812	MAT STEPWELL UPR SIDE LH (UPPER) #35
10.8	06916628-02650	TRIM MAT SWELL SIDE LH #35
10.9 LH	06916774-Width	TRIM MAT RISER LH FRT W#35
10.9 RH	06916773-Width	TRIM MAT RISER RH FRT #35
10.10 LH	14200649-Width	MAT S/WELL FRONT LH CHART #35
10.10.1 RH	14200650-Width	MAT STEPWELL FRONT RH CHARTED
10.10.2 LH	14200822-Width	MAT STEPWELL FRONT RH CHARTED
10.11	14200832-Width	MAT S/WELL FRT LH DRLS
10.12.1	06918365	TRIM FLOOR ACCEL PAD (OUTBOARD)
10.12.2	06916715	TRIM FLOOR BRAKE PAD #35 (INBOARD)
10.12.3	06922522	TRIM FLOOR ACCELERATOR PAD #35 (SQUARE)
10.13 LH	06916717-Width	TRIM MAT FLR RISER #35
10.13 RH	06916716-Width	TRIM MAT FLR RISER #35
10.14	14200811	MAT STEPWELL (LOWER) SIDE LH #35
10.15	14200652	MAT FLOOR RISER VERTICAL #35
10.16	14200651	MAT FLOOR RISER CENTER #35
10.17 LH	06917175	TRIM FLOOR RISER LH #35
10.17. RH	06916714	TRIM FLOOR RISER RH #35
10.18.1	20510534	NON-SKID TOP RH STEP #31,35
10.18.2	20510361	NON-SKID TOP RH STEP
10.19.1	06923221	STEP NON SKID BOTTOM RIGHT CHART
10.19.2	20510736-Width	STEP NON SKID BOTTOM RH CHART
10.20	11401222	RIVET BLK 3/16 x 1/4-1/2



Continued

10—Cab Matting, Standard Heavy-duty (continued)



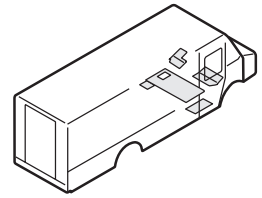
Cab Matting, Standard Heavy-duty

Utilimaster, 65528 State Road 19, P.O. Box 585, Wakarusa, IN 46573-0585, U.S.A.

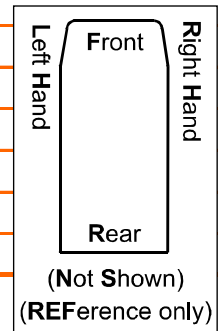
Email CustSvc@Utilimaster.com or **Browse** the web site www.utilimaster.com.

Call 800-237-7806 (or 574-862-3219) or **Fax** to 574-862-7637.

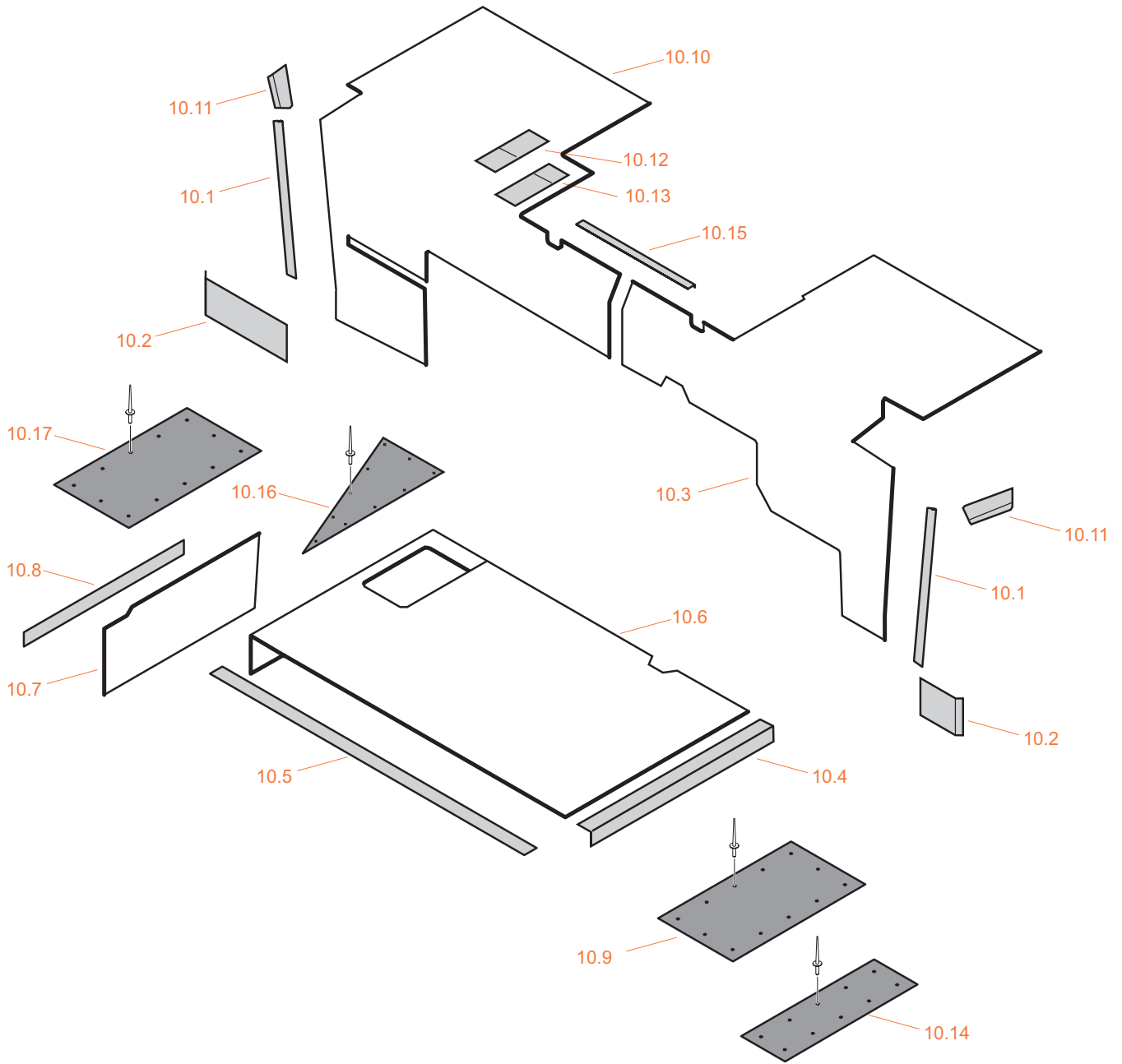
(See the Decoding Part Numbers section for Item, Part, and Description codes.)



Item	Part Number	Description
10.NS	14200607	MAT FRT FLR 56 x 83
10.NS	12400713	SIKAFLEX BLACK 11FLOZ 221
10.Ref	52233044	MAT LAYOUT FRT FLR LH CHT #35
10.Ref	52232768	MAT LAYOUT FRT FLR CHART #35
10.Ref	51231409-Width	INST NON-SKID KIT RH #35
10.Ref	51231328	INST SLIP-GRIP KIT RH #31-35



10—Cab Matting, Die-cut Heavy-duty



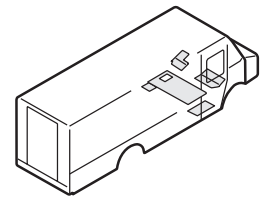
Cab Matting, Die-cut Heavy-duty

Utilimaster, 65528 State Road 19, P.O. Box 585, Wakarusa, IN 46573-0585, U.S.A.

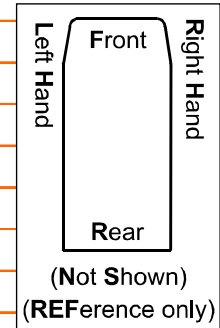
Email CustSvc@Utilimaster.com or Browse the web site www.utilimaster.com.

Call 800-237-7806 (or 574-862-3219) or Fax to 574-862-7637.

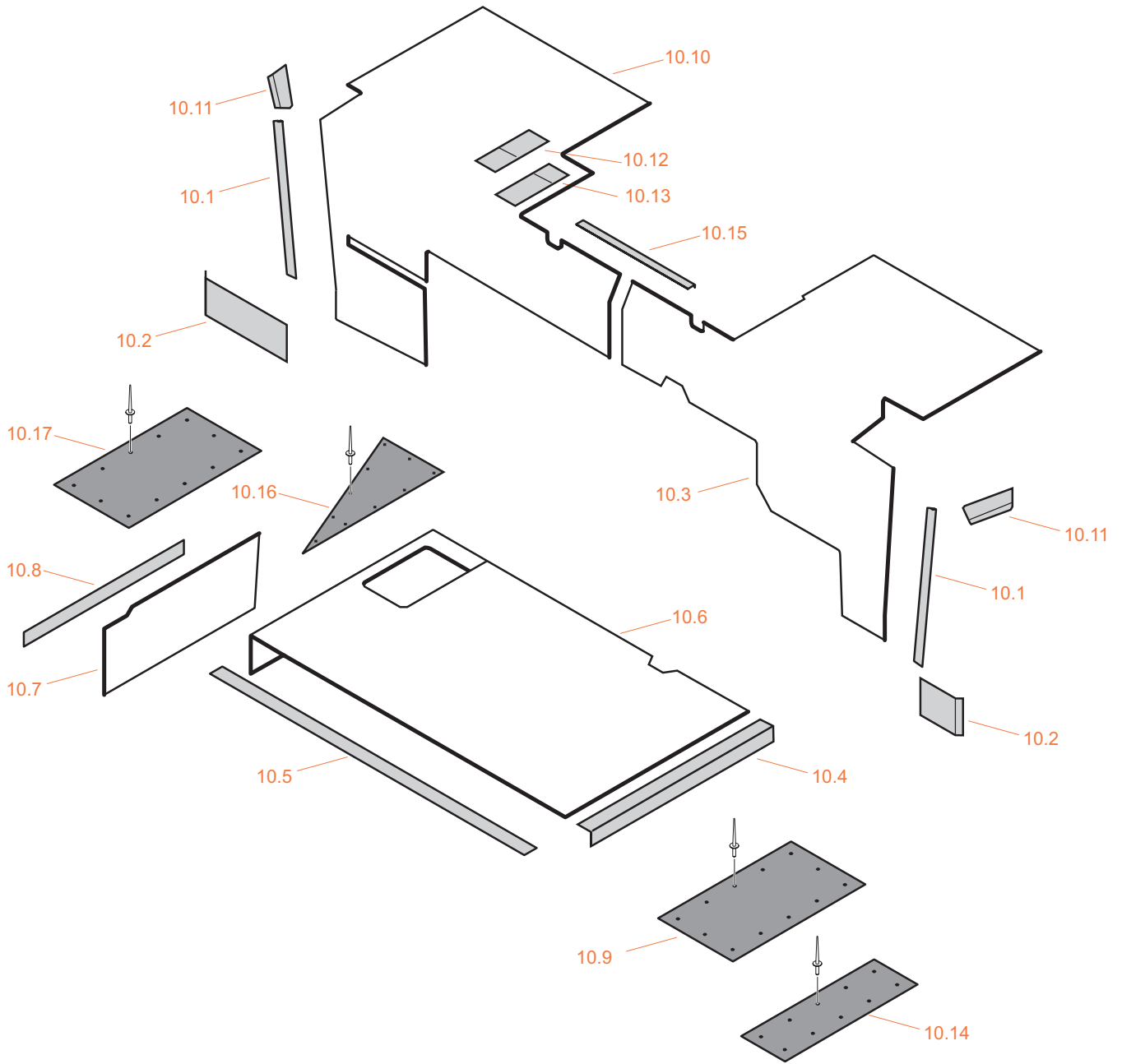
(See the Decoding Part Numbers section for Item, Part, and Description codes.)



Item	Part Number	Description
10.0		LAYOUT HD MAT FRT FLR (CUT)
10.1.1 LH	06921316	** TRIM MAT S/WELL VERT LH #35
10.1.1 RH	06921315	** TRIM MAT S/WELL VERT RH #35
10.1.2 LH	06922562	TRIM MAT STEPWELL VERTICAL LH #35
10.1.2 RH	06922561	TRIM MAT STEPWELL VERTICAL RH #35
10.1.3 RH	06916720	TRIM MAT S/WELL VERT RH #35
10.2.1	06921317-Length	TRIM S/WELL FRONT LH
10.2.2	06916713-Length	TRIM S/WELL FRONT RH #35
10.3.1-86	14200900	MAT CAB RISER RH 86.5 #35
10.3.2-86	14200869	** MAT CAB RISER RH 86.5W #35
10.4	06916189-Length	TRIM MAT RISER RH
10.5	06916629-06944	TRIM MAT CRGO FLR 69.44L 30-36
10.6	14200868	MAT CAB FLR CTR 86.5W #35
10.7	14200871	MAT SWELL LWR SIDE LH #35
10.8.1	06921318	TRIM MAT STEPWELL SIDE LH
10.8.2	06916628-02650	TRIM MAT SWELL SIDE LH #35
10.9.1	20510534	NON-SKID TOP RH STEP
10.9.2	20510736-Width	STEP NON SKID BOTTOM RH
10.9.3	20510421	NON-SKID SLIP GRIP TOP RH STEP
10.9.4	20510552	** NON-SKD SLIP GRIP TOP RH STEP
10.10.1	14200901	MAT CAB RISER LH 86.5W #35
10.10.2	14200870	** MAT CAB RISER LH 86.5W #35
10.11 LH	06921160	TRIM MAT RISER FRT LH
10.11 RH	06921161	TRIM MAT RISER FRT RH
10.12	06916715	TRIM FLOOR BRAKE PAD
10.13	06918365	TRIM FLOOR ACCEL PAD
10.14.1	20510362	NON-SKID BTM RH STEP
10.14.2	20510531-Width	** NON-SKD SLIP GRIP RH STP BTM
10.14.3	11401222	RIVET POP BLACK
10.15	06003903-01700	IA5028 ANGLE 17.00 06003903
10.16.1	20510366	NON-SKID LH STEP TRIANG 93.5W
10.16.2	20510529	NON-SKID SLIP GRIP LH TOP 93W
10.16.3	20510363	NON-SKID STEP LH 86.5W
10.16.4	11401222	RIVET POP BLACK
10.16.5	20510528	NON-SKID SLIP GRIP LH TOP 86W
10.17	20510364	NON-SKID BTM LH STEP



10—Cab Matting, Die-cut Heavy-duty (continued)



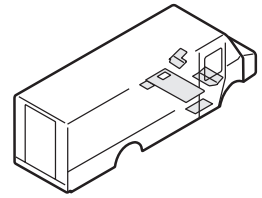
Cab Matting, Die-cut Heavy-duty

Utilimaster, 65528 State Road 19, P.O. Box 585, Wakarusa, IN 46573-0585, U.S.A.

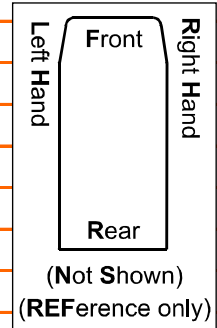
Email CustSvc@Utilimaster.com or **Browse** the web site www.utilimaster.com.

Call 800-237-7806 (or 574-862-3219) or **Fax** to 574-862-7637.

(See the Decoding Part Numbers section for Item, Part, and Description codes.)



Item	Part Number	Description
10.NS	14200607	MAT FRT FLR 56 x 83
10.NS	12400713	SIKAFLEX BLACK 11FLOZ 221
10.NS	20510533	NON-SKID STEP KIT 86.5W
10.NS	20510541	NON-SKID STEP KIT 93.5W
10.Ref	52233128	** LAYOUT MAT FRT FLR #35
10.Ref	51231311	INSTALL NON-SKID KIT RH #31-35
10.Ref	51231406	INST N/SKD KIT RH DP STP
10.Ref	06918159	SW ASY LH 4"LWR SM
10.Ref	51231312	INSTALL NON-SKID KIT LH



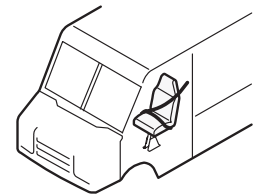
Seating, Standard

Utilimaster, 65528 State Road 19, P.O. Box 585, Wakarusa, IN 46573-0585, U.S.A.

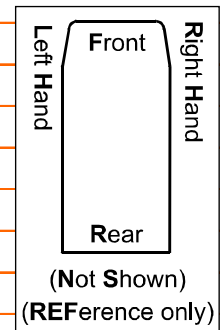
Email CustSvc@Utilimaster.com or Browse the web site www.utilimaster.com.

Call 800-237-7806 (or 574-862-3219) or Fax to 574-862-7637.

(See the Decoding Part Numbers section for Item, Part, and Description codes.)

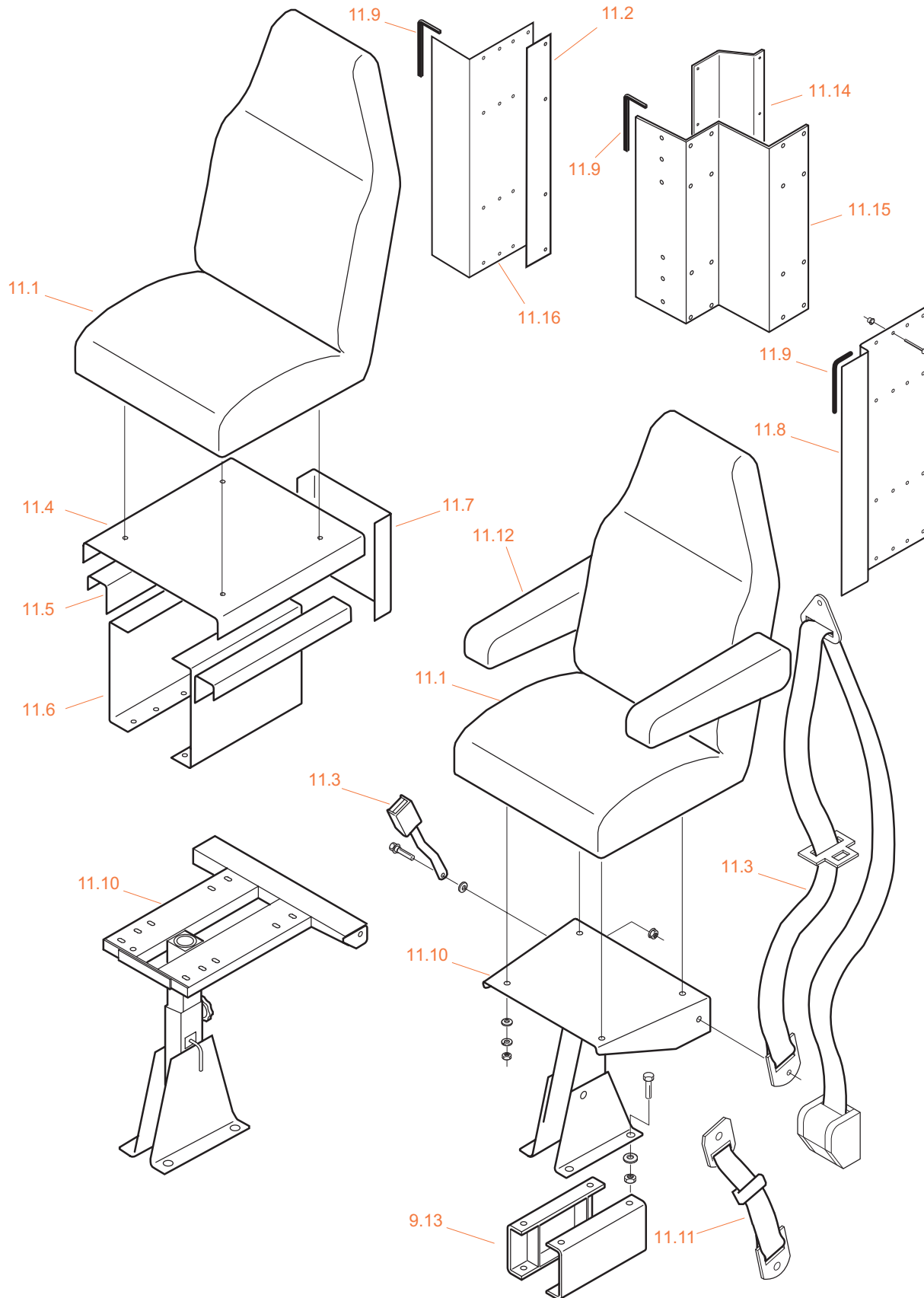


Item	Part Number	Description
11.0		SEATS
11.1.1	13672402	SEAT HB S&P
11.1.2	13105647	SEAT HB BLK VINYL
11.1.3	13112490	SEAT HB S&P W/LMBR
11.1.4	13112508	SEAT HB S&P
11.1.5	13672115	SEAT HB BLK CLOTH
11.1.6	13672415	SEAT HB BLK CORDURA
11.1.7	13672224	SEAT HB BLK NYL LMBR
11.1.8	13112207	SEAT HB BLK W/LMBR
11.1.9	13112517	SEAT HB BRN CORD
11.1.10	13672425	SEAT HB S&P W/LMBR 7" SLD
11.2	06915330	SPACER 3 PT MOUNT DRLS A&B
11.3.1	21310872	SEATBELT ADJ D-RING ORANGE 127"
11.3.2	21310802	SEATBELT ADJ D-RING OR 127
11.3.3	21310850	SEATBELT 3-PT 127" W/STL STRAP
11.4	22101997	RISER SEAT TOP VIKING T-BAR
11.5	22101998	RISER SEAT CHNL VIKING T-BAR
11.6	13112520	PEDESTAL SEAT SIDE VIKING
11.7	13112519	BACK PEDESTAL SEAT VIKING
11.8	22814305	MOUNT 3POINT SEA TBELT
11.9	05302302	TRIM LOCK BLK 1/8" W/ALUM INST
11.10.1	13105617	PEDESTAL STATIONARY
11.10.2	13105613	PEDESTAL W/TILT TOP
11.10.3	13672271	HEIGHT ADJ PEDESTAL
11.10.4	13112487	PEDESTAL SWV/TILT 18-20"H
11.11	08610021	BELT ADJ. TETHER 36"
11.12.1 LH	13112530	ARM LH BLK VINYL
11.12.1 RH	13112531	ARM RH BLK VINYL
11.12.2 LH	13112534	ARM LH SALT & PEPPER
11.12.2 RH	13112535	ARM RH SALT & PEPPER
11.12.3 LH	13112536	ARM LH BLK CLOTH
11.12.3 RH	13112537	ARM RH BLK CLOTH
11.12.4 LH	13112542	ARM LH RPS BROWN
11.12.4 RH	13112543	ARM RH RPS BROWN



Continued

11—Seating, Standard



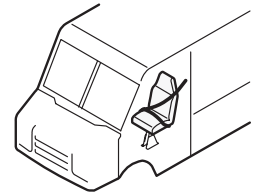
Seating, Standard

Utilimaster, 65528 State Road 19, P.O. Box 585, Wakarusa, IN 46573-0585, U.S.A.

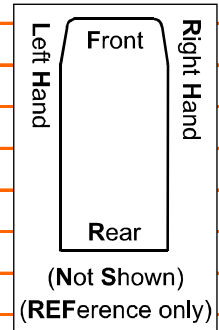
Email CustSvc@Utilimaster.com or **Browse** the web site www.utilimaster.com.

Call 800-237-7806 (or 574-862-3219) or **Fax** to 574-862-7637.

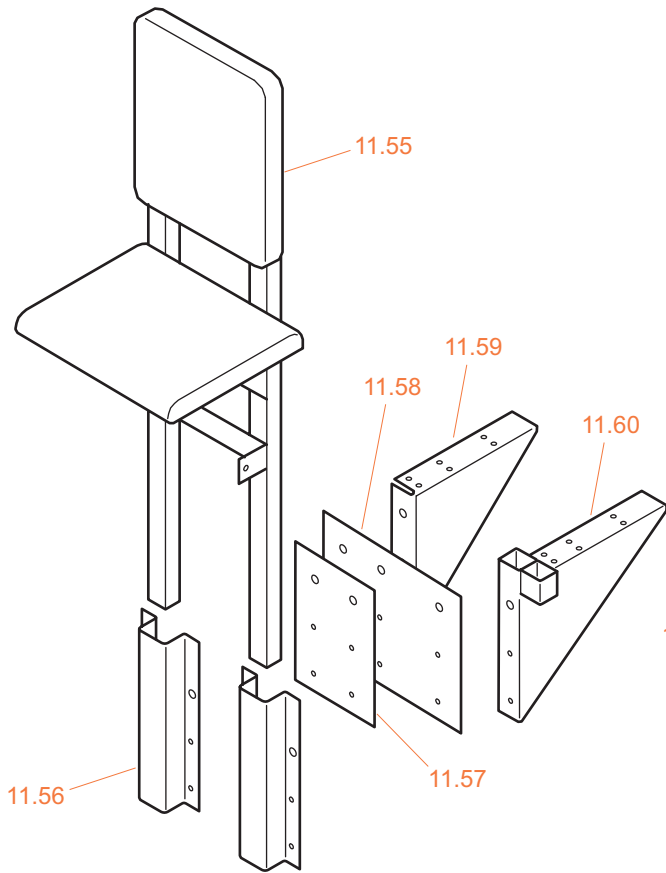
(See the Decoding Part Numbers section for Item, Part, and Description codes.)



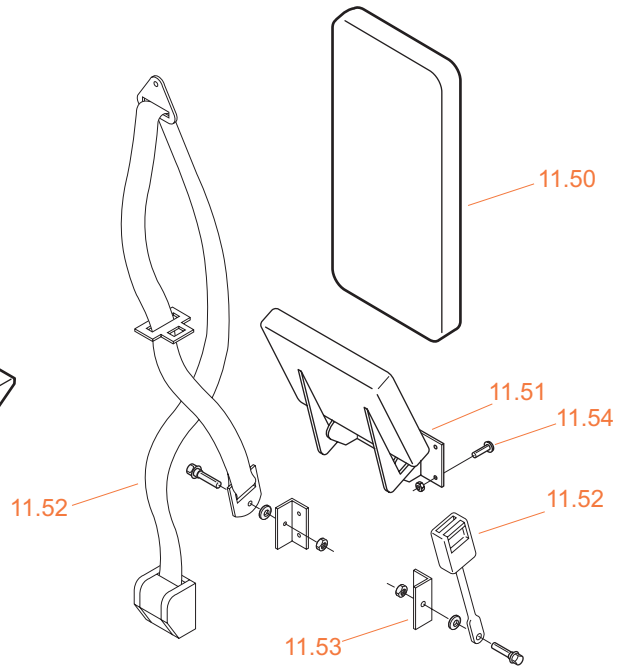
Item	Part Number	Description
11.13	13105574	PEDESTAL RISER 5"
11.14	22102006	BRACE 3PT SBELT MOUNT #30-36
11.15	22102005	MOUNT 3PT SBELT SETBACK #30-36
11.16	22101403	MOUNT 3PT S/BELT DD 6.25 x 8 x 24
11.Ref	64236228	SEAT PED & 2PT S/BELT INSTL
11.Ref	13112521	PEDESTAL ASY VIKING SEAT 32-35
11.Ref	64236149	PEDESTAL ASSY BOSTROM SEAT INSTL
11.Ref	54232130	DETAIL D-RING SEDAN DR
11.Ref	51231308	RELOCATION SEAT TO PEDESTAL
11.Ref	51231423	INSTL SEAT TO PEDESTAL (TORQUE VALUE)
See also Sections 1 and 14.		



11—Seating, Jump



Removable Jump Seat



Bulkhead-mounted Jump Seat

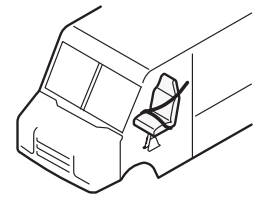
Seating, Jump

Utilimaster, 65528 State Road 19, P.O. Box 585, Wakarusa, IN 46573-0585, U.S.A.

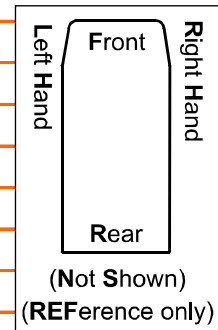
Email CustSvc@Utilimaster.com or Browse the web site www.utilimaster.com.

Call 800-237-7806 (or 574-862-3219) or Fax to 574-862-7637.

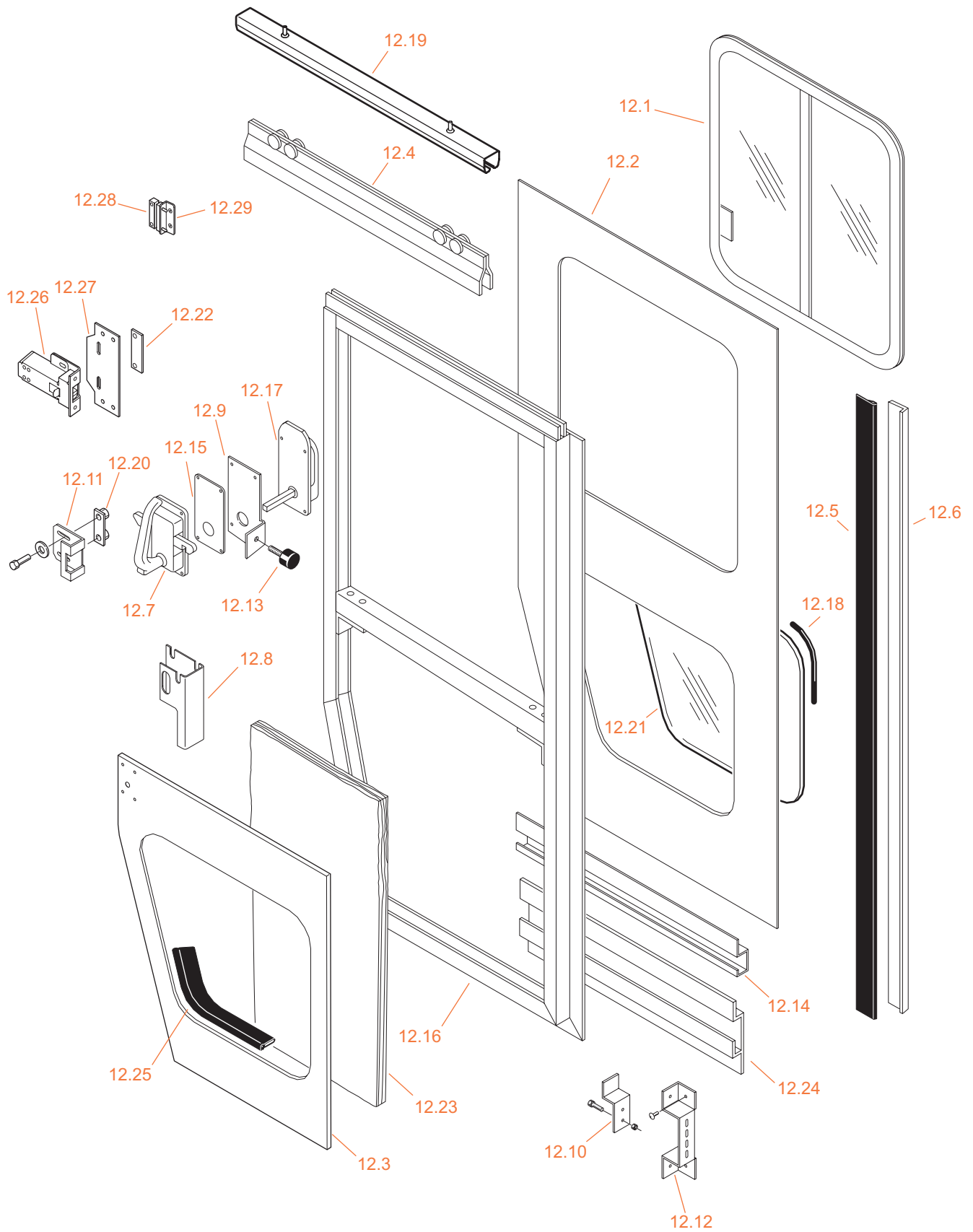
(See the Decoding Part Numbers section for Item, Part, and Description codes.)



Item	Part Number	Description
11.50	Appendix 54231878d	Cushion, Back W\Headrest
11.51	Appendix 54231878d	Cushion, Back Highback
11.52.1	21101287	SEATBELT 3PT ORANGE 145"
11.52.2	21310252	SEAT BELT ASY 3PT 145"
11.52.3	21310668	S/BLT W/ADJ D-RING ORNG
11.52.4	21310690	SEAT BELT 2PT W/RETRACT
11.53	22810292	MOUNT SEAT BELT 3PT BLKHD
11.54	11305092	SCREW 1/4-20 x 3/4 TR PH
11.55.1	13672221	JSEAT 10" W/BLT BLK VINYL
11.55.2	13672230	JSEAT 10" W/BLT BLK NYLON FABRIC
11.55.3	13672240	JSEAT 8" W/BLT SALT & PEPPER
11.55.4	13672258	JSEAT 10" S&P RECLINED 12434
11.55.5	13672223	JSEAT 8" W/BLT BLK 21146-001
11.56	01712184	BRACKET JUMP SEAT HAT 11.75"
11.57	22001746	PLATE JUMPSEAT BACKER
11.58.1	22815122	PLATE J/SEAT BCKR 8" CTS DP STP
11.58.2	22815136	PLATE JSEAT BCKR 10" CTS DP STP
11.59	22102014	BRACE J/SEAT RH
11.60	22102007	BRACE WELDMT JUMPSEAT
11.Ref	54231878	DETAIL-BHD J-ST INSTL
11.Ref	54232242	DETAIL, JUMPSEAT INST
11.Ref	54231877	DETAIL BHD J/ST D-RNG
	See also Sections 1 and 14.	



12—Doors, Side Sliding



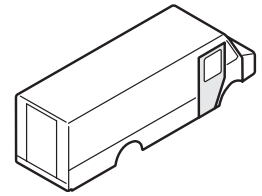
Doors, Side Sliding

Utilimaster, 65528 State Road 19, P.O. Box 585, Wakarusa, IN 46573-0585, U.S.A.

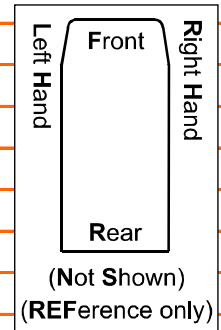
Email CustSvc@Utilimaster.com or Browse the web site www.utilimaster.com.

Call 800-237-7806 (or 574-862-3219) or Fax to 574-862-7637.

(See the Decoding Part Numbers section for Item, Part, and Description codes.)



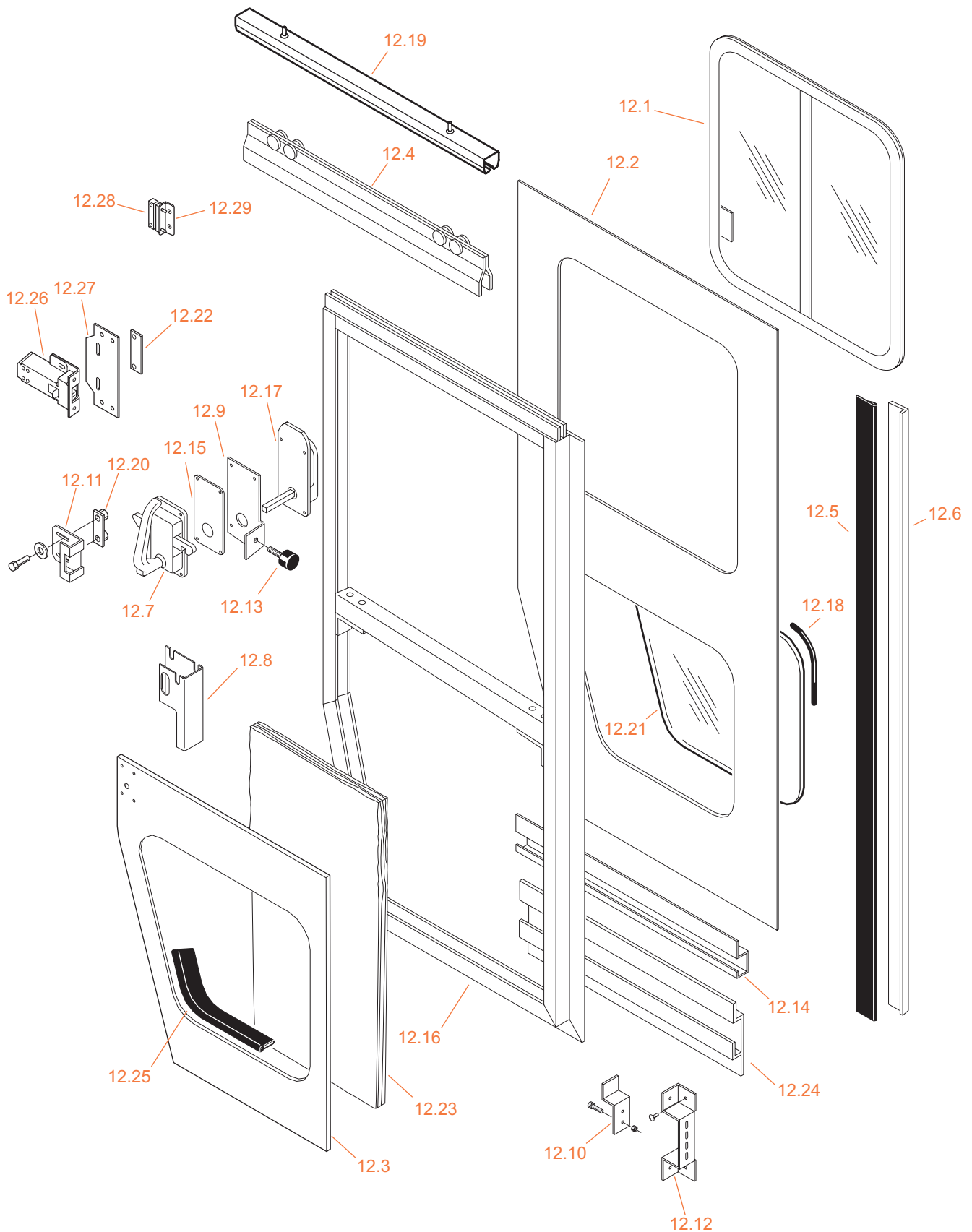
Item	Part Number	Description
12.0		DR ASY SLDR W/ALUM WDW
12.1.1 LH	09801507	WDW SLDR LTCH LH SLV
12.1.1 RH	09801508	WDW SLDR LTCH RH SLV
12.1.2 LH	09801509	WDW SLDR LTCH LH BLK
12.1.2 RH	09801510	WDW SLDR LTCH RH BLK
12.2	BSNR	METAL EXTR SLDR DR 8"LWR RH
12.3	BSNR	METAL INT SLDR DR W/WINDOW
12.4	08220195	ROLLER UPR ASY 39.69
12.5	05402170-Length	SEAL SLIDING DR RR
12.6	06013008	IA4161 ANGLE 06013008
12.7	Parts Guide	HANDLE PADDLE INT
12.8 LH	22815232	CHANNEL LATCH MTG LH SLDR DOOR
12.8 RH	22815231	CHANNEL LATCH MTG RH SLDR DOOR
12.9 LH	08401226	BRKT STOP SLD DR ZINC KASON LH
12.9 RH	08401225	BRKT STOP SLD DR ZINC KASON RH
12.10	08401252	CATCH SLDG DR RR KASON
12.11	08401266	CATCH SLDG DR FRT KASON
12.12 LH	22813406	MNT CATCH SLDG RECESSED LH
12.12 RH	08401250	CATCH SLDG DR RECESS RH KASON
12.13	08210016	STOP RUBBER FOR SLIDING DOORS
12.14 LH	06917286	IA8054 LWR GUIDE LH 4"LWR 06003904
12.14 RH	06917287	IA8054 LWR GUIDE RH 4" LWR 06003904
12.15	01700696	SHIM DOOR .25 x 5.50 x 2.5
12.16	BSNR	FRAME ASY SLDR
12.17	Parts Guide	HANDLE EXT



Continued

NOTE: The door frame is built in a fixture. If more than one extrusion is being replaced, it is recommended that you order a complete frame assembly.

12—Doors, Side Sliding (continued)



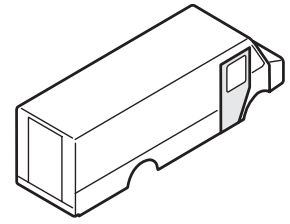
Doors, Side Sliding

Utilimaster, 65528 State Road 19, P.O. Box 585, Wakarusa, IN 46573-0585, U.S.A.

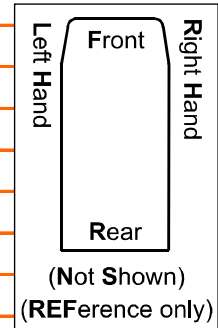
Email CustSvc@Utilimaster.com or Browse the web site www.utilimaster.com.

Call 800-237-7806 (or 574-862-3219) or Fax to 574-862-7637.

(See the Decoding Part Numbers section for Item, Part, and Description codes.)

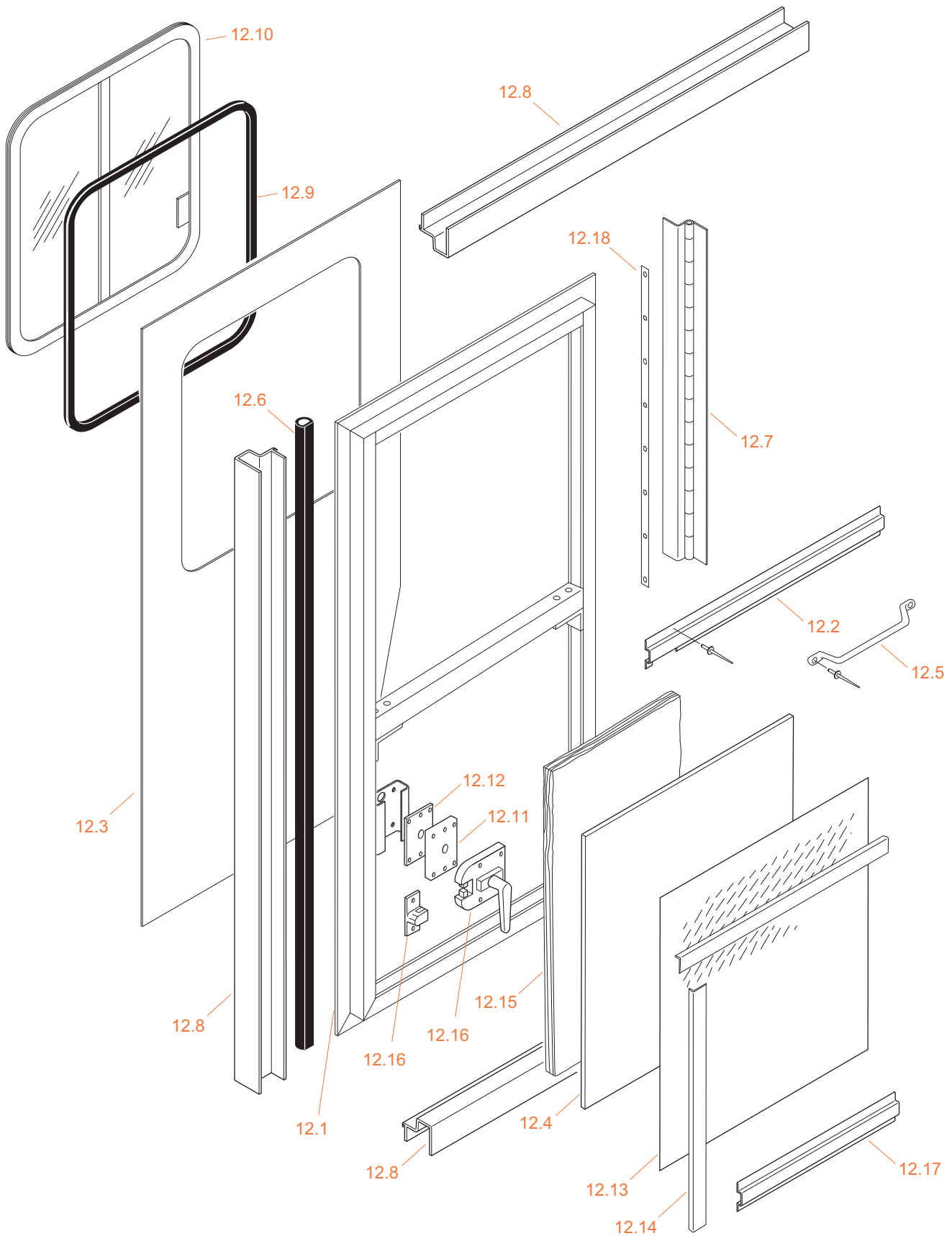


Item	Part Number	Description
12.18.1	05402073	WINDSHIELD RUBBER 1/8
12.18.2	05402074	WINDOW RUBBER 3/32
12.19	08220192	TRK UP SLD 72" 1" BOLTS
12.20	08610402	PLATE ASY NUT KASON FRT CATCH
12.21	09801355	GLASS LWR SIDE DR 30-36
12.22	08610831	PLATE ASY NUT STRIKER SPACER INNER
12.23	20510275	INSUL F/GLASS 1" x 21" x 100'3/PLY
12.24.1 RH	06920618	IA8011 EXTEN SLDR 30.69 06003905
12.24.2 LH	06917292	EXTEN SLDR LWR LH 32.0 06003905
12.24.2 RH	06917293	EXTEN SLDR LWR RH 32.0 06003905
12.25	05705672	WIDE WINDOW SEAL
12.26 LH	08610834	LATCH DR LH KYLS ENTRY
12.26 RH	08610835	LATCH DR RH KYLS ENTRY
12.27	06919199	PLATE DOOR STRIKER BASE
12.28	16512556	REED SWITCH & MAGNET
12.29	06921297	ANGLE MTG MAGNETIC KYLS ENTRY
12.NS	12301160	TAPE GASKA GRAY PVC .06 x .75 (150'RL)
12.NS	12605908	TAPE, FOAM GASKA 1/8 X 3/4
12.NS	22001734	SHIM ALIGNMENT 1/8
12.NS	12400129	SEALANT TRIMSHIELD
12.NS	12100624	SEALANT LIQUID RUBBER
12.NS	12300703	TAPE 3/4" DBLE SIDE WINDOW
12.Ref	57231752	CATCH INSTAL FRT KASON
12.Ref	57233034	KASON LATCH & CATCH ALIGNMENT
12.Ref	64236922	CATCH ASSY SLIDER LH
12.Ref	64236923	CATCH ASSY SLIDER RH



NOTE: The door frame is built in a fixture. If more than one extrusion is being replaced, it is recommended that you order a complete frame assembly.

12—Doors, Side Sedan



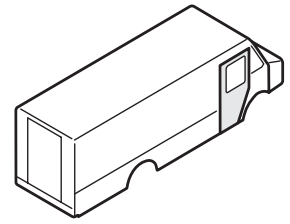
Doors, Side Sedan

Utilimaster, 65528 State Road 19, P.O. Box 585, Wakarusa, IN 46573-0585, U.S.A.

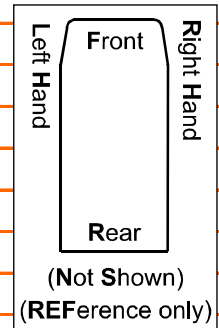
Email CustSvc@Utilimaster.com or Browse the web site www.utilimaster.com.

Call 800-237-7806 (or 574-862-3219) or Fax to 574-862-7637.

(See the Decoding Part Numbers section for Item, Part, and Description codes.)

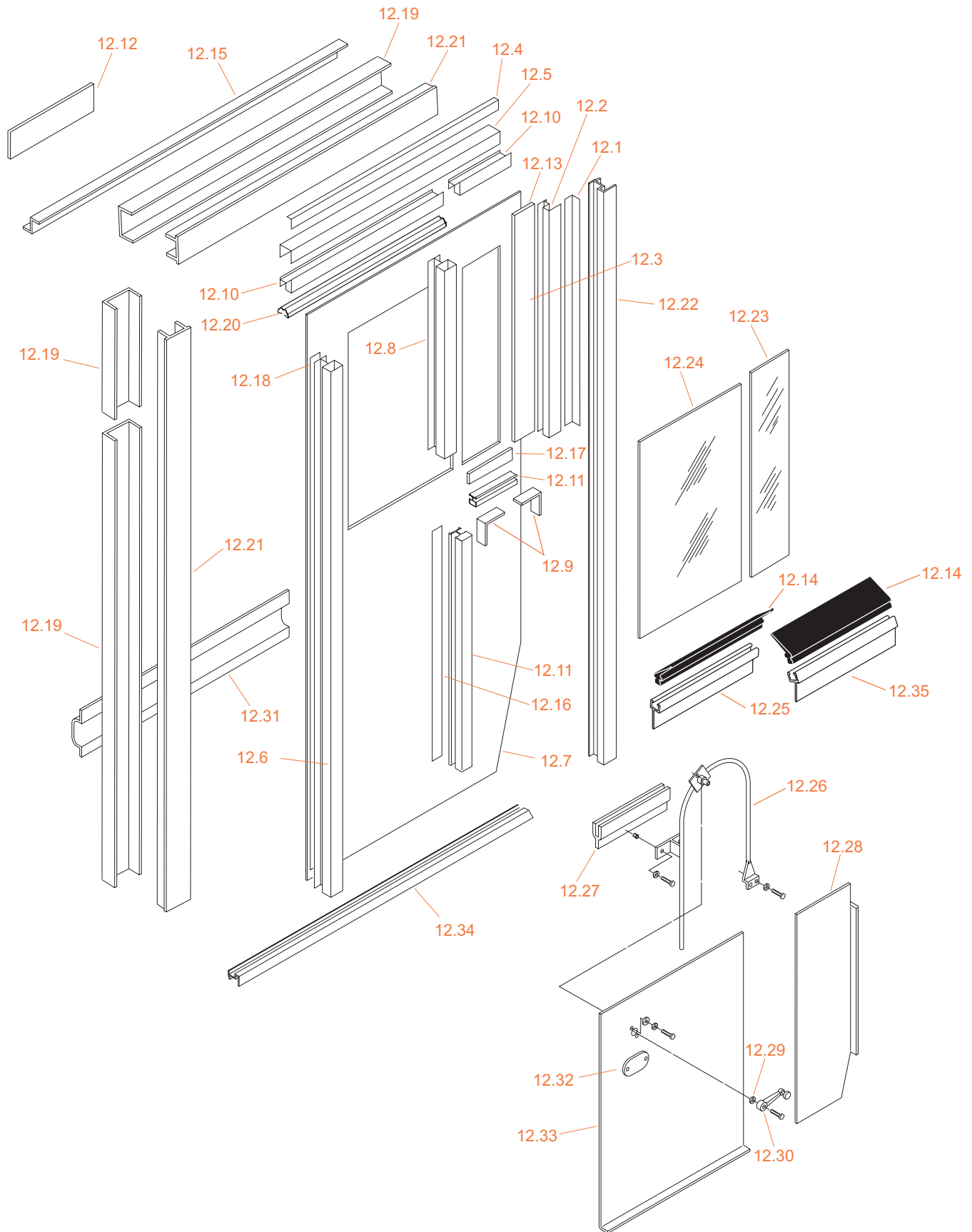


Item	Part Number	Description
12.0		SEDAN DOOR ASSEMBLY
12.1	BSNR	FRAME ASY
12.2 LH	06918061	STIFFNR SDN DR TOP LH
12.2 RH	06918062	STIFFNR SDN DR TOP RH
12.3	BSNR	METAL DOOR EXT SHRT SDN
12.4	BSNR	METAL INT SHT SDN LH SLDR
12.5	08704342	HANDLE GRAB OFFSET
12.6	05402168	SEAL SEDAN DOOR
12.7	08708528	HINGE FRMD 14GA SS x 45" SDN
12.8	06003861-Length	DR SDN EXTR (SPECIFY LENGTH)
12.9	12605908	TAPE FOAM GASKA 1/8 x 3/4
12.10	See Slider Door	WINDOW
12.11	06502626	SPACER LOCK .75 AL x 4.37 x 3.75
12.12	06502627	SPACER LOCK .090 AL x 4.37 x 3.75
12.13	14000625	CARPET GREY
12.14	06002023-Length	TRIM IA727 ANGLE 06002023
12.15	20510275	INSUL F/GLASS 1 x 21 3/PLY
12.16	08704402	LATCH SEDAN DOOR LH
12.17	06918060	STIFFNR SDN DR BTM RH 30,32-35
12.18	22001745	NUT PLATE .75 x 41
12.Ref	57231988	INST SEDAN DR STIFFENER 30-36



NOTE: The door frame is built in a fixture. If more than one extrusion is being replaced, it is recommended that you order a complete frame assembly.

12—Doorless Panel with Roll-up Window



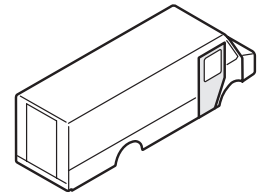
Doorless Panel with Roll-up Window

Utilimaster, 65528 State Road 19, P.O. Box 585, Wakarusa, IN 46573-0585, U.S.A.

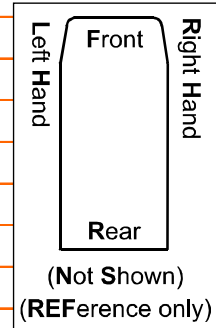
Email CustSvc@Utilimaster.com or Browse the web site www.utilimaster.com.

Call 800-237-7806 (or 574-862-3219) or Fax to 574-862-7637.

(See the Decoding Part Numbers section for Item, Part, and Description codes.)

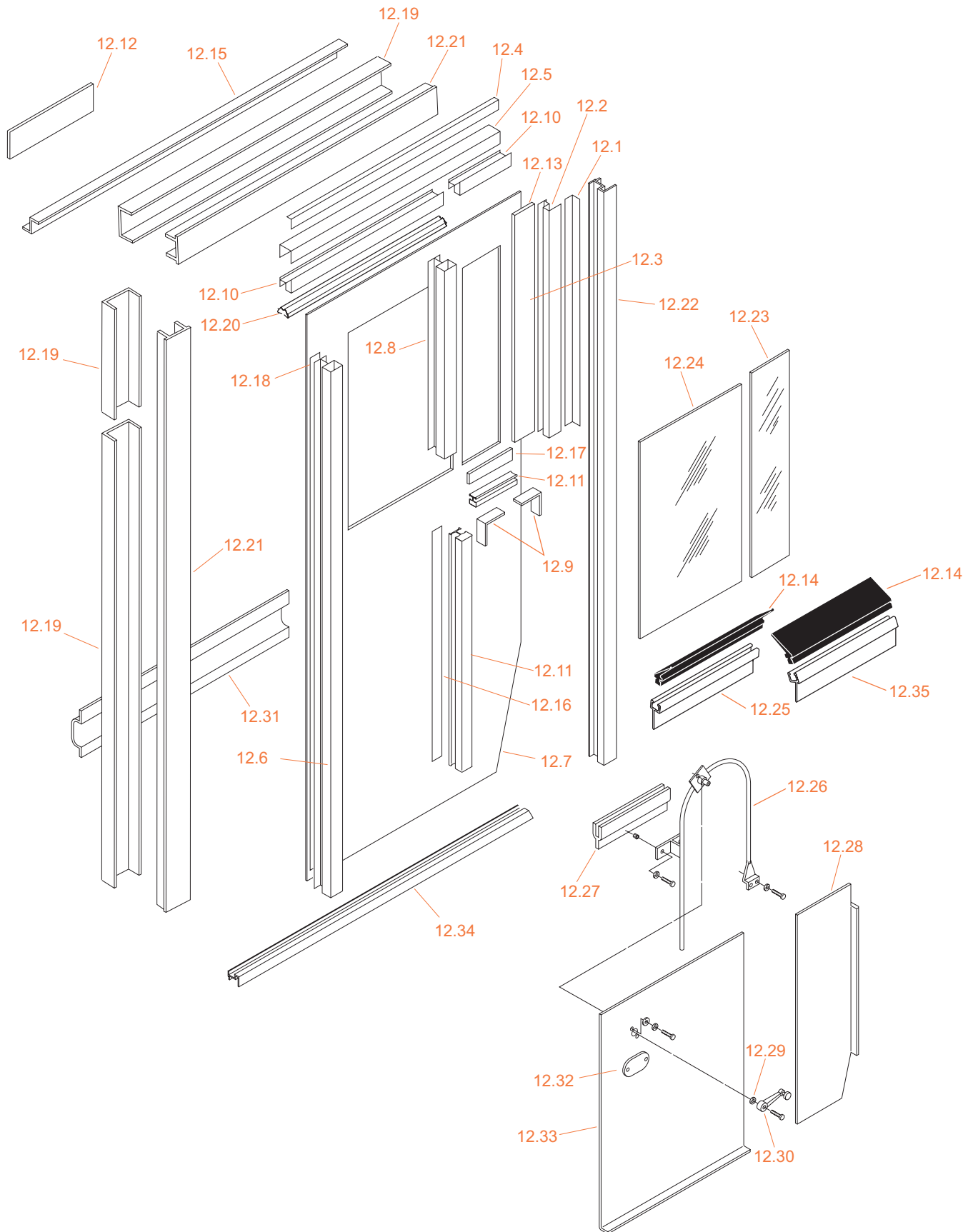


Item	Part Number	Description
12.0		DOORLESS DRIVER PANEL W\ROLL-UP WINDOW
12.1	06001975-03400	AE ANGLE 3/4 x 3/4 (.062) IA 101
12.2	06012383	WDW GUID LH 32.34 06003859
12.3	06503177	ALUM .125 x 1.69 x 35.5
12.4	06013008-03800	IA4161 ANGLE 38.00 06013008
12.5	06013003-Length	IA3948 CHNL (SPECIFY LENGTH) 06013003
12.6	06014407	POST REAR DRLS 75.00 06003860
12.7.1	06601776	PLATE WDW REG LH DRLS #32-33
12.7.2	06925115	PLATE WDW REG ELEC DRLS LH FRTLNR #31, 35
12.8	06014406	POST UPR DRLS 33.75 06003860
12.9	06631354	ANGLE WNDW FRM MNT FRT
12.10	06003859-Length	IA7299 GUIDE (SPECIFY LENGTH) 06003859
12.11	06003860-Length	IAH1454 WDW POST (SPECIFY LENGTH) 06003860
12.12	06915327	SPACER DD STIFFENER 3 X 9.5"
12.13	BSNR	ALUM .100 x .875 SHIM
12.14	05705497	FLOCKED SEAL
12.15	06014439	DRIPRAIL LH DD 40" 06011300
12.16	06503176	ALUM .100 x .875 x 37.75 SHIM
12.17	06503178	ALUM .100 x .875 x 8.0 SHIM
12.18	06503175	ALUM .100 x .875 x 74
12.19	06013049-Length	ALUM EXT RR DR OPENING IA4755 (SPECIFY LENGTH)
12.20	12300662	W/STRIP GLASS CHNL 6' 75000486
12.21	06013069-Length	ALUM EXT CAP DR CHNL IA4868 (SPECIFY LENGTH)
12.22	See Item 5.35	QUARTER POST
12.23.1	09080546	GLASS DD RU STAT .188 x 9 x 31
12.23.2	09080516	GLASS .188x12x30.16 Tmprd TINT
12.24 .1	09080524	GLS SD DR C/UP .156 x 23.38 x 33
12.24.2	09081308	GLASS Tmprd .156 x 23.38 x 31.38
12.25	06014415	DR SEAL OS LH 22.56 06850143
12.26	09301011	REGULATOR WDW SD LH
12.27.0	06910453	BRCKT WINDOW REGULATOR 06013103
12.27.1	12300703	TAPE 3/4" DBLE SIDE WINDOW
12.28	BSNR	PNL LWR DRLS C/UP
12.29.1	08706603	ESCUTCHEON
12.29.2	08706602	SPRING ESCUTCHEON
12.29.3	08706601	SPACER HANDLE



Continued

12—Doorless Panel with Roll-up Window (continued)



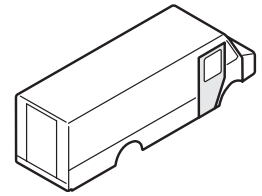
Doorless Panel with Roll-up Window

Utilimaster, 65528 State Road 19, P.O. Box 585, Wakarusa, IN 46573-0585, U.S.A.

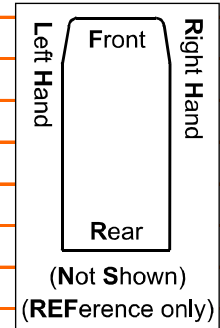
Email CustSvc@Utilimaster.com or **Browse** the web site www.utilimaster.com.

Call 800-237-7806 (or 574-862-3219) or **Fax** to 574-862-7637.

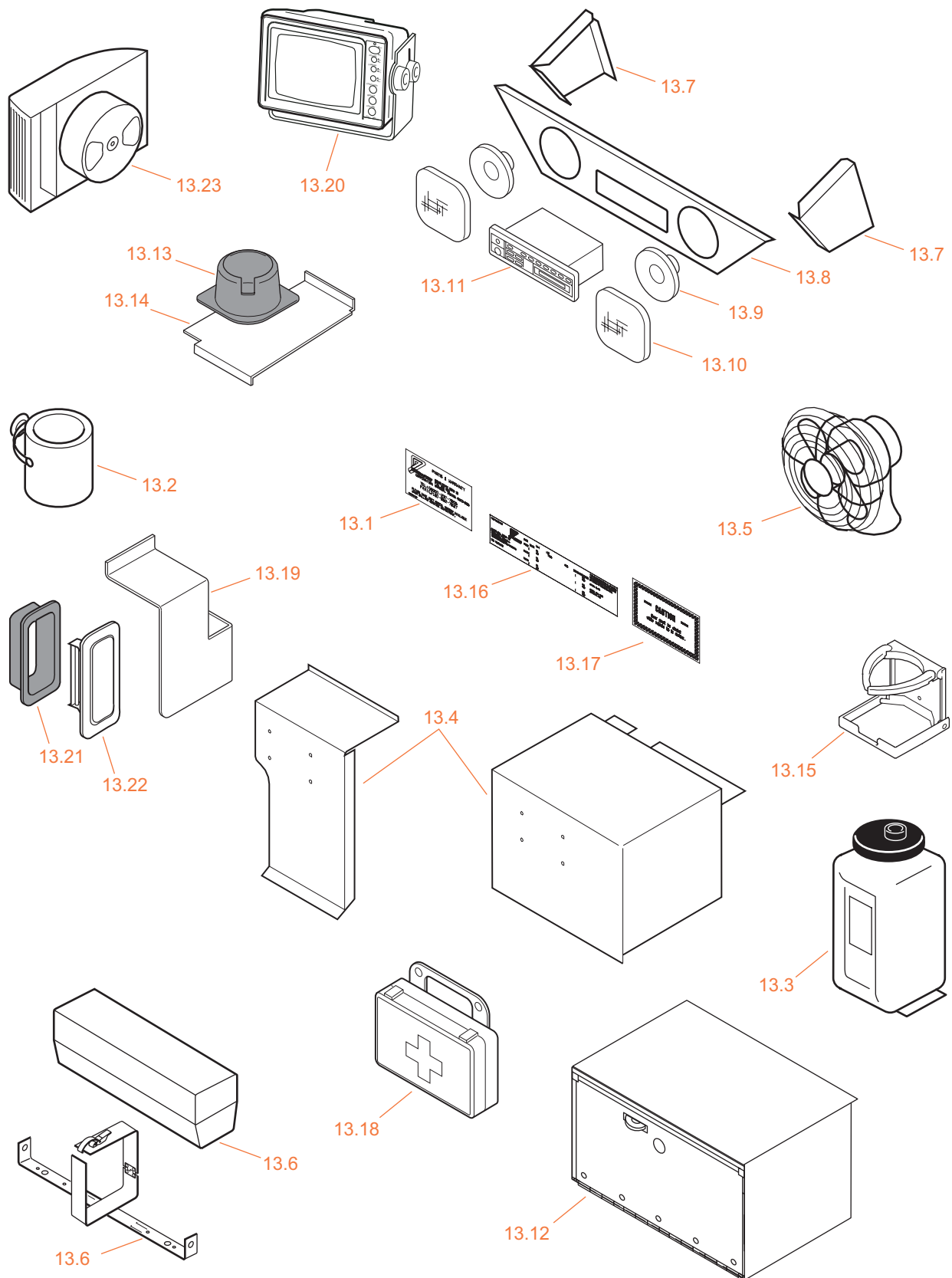
(See the Decoding Part Numbers section for Item, Part, and Description codes.)



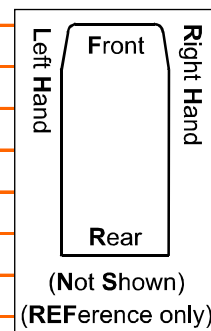
Item	Part Number	Description
12.30	08706600	HANDLE WINDOW CRANK
12.31	Match sidewall rubrail from Section 15.	
12.32	06502577	PLATE ACCESS WINDOW REG
12.33	BSNR	PLATE WNDW REG DRLS
12.34.1	06917403	THRES LH DD 5'9-7/8 06000260
12.34.2	06917404	THRES RH DD 5'9-7/8 06000260
12.34.3	06014431	THRES DD LH 69.88 06000260
12.35	06850185-Length	IA7137 SEAL 06850185
12.Ref	09801379	INSTL, CRANK UP WINDOW RGLTR
12.Ref	57231699	PANEL ASY DRLS LH C/UP



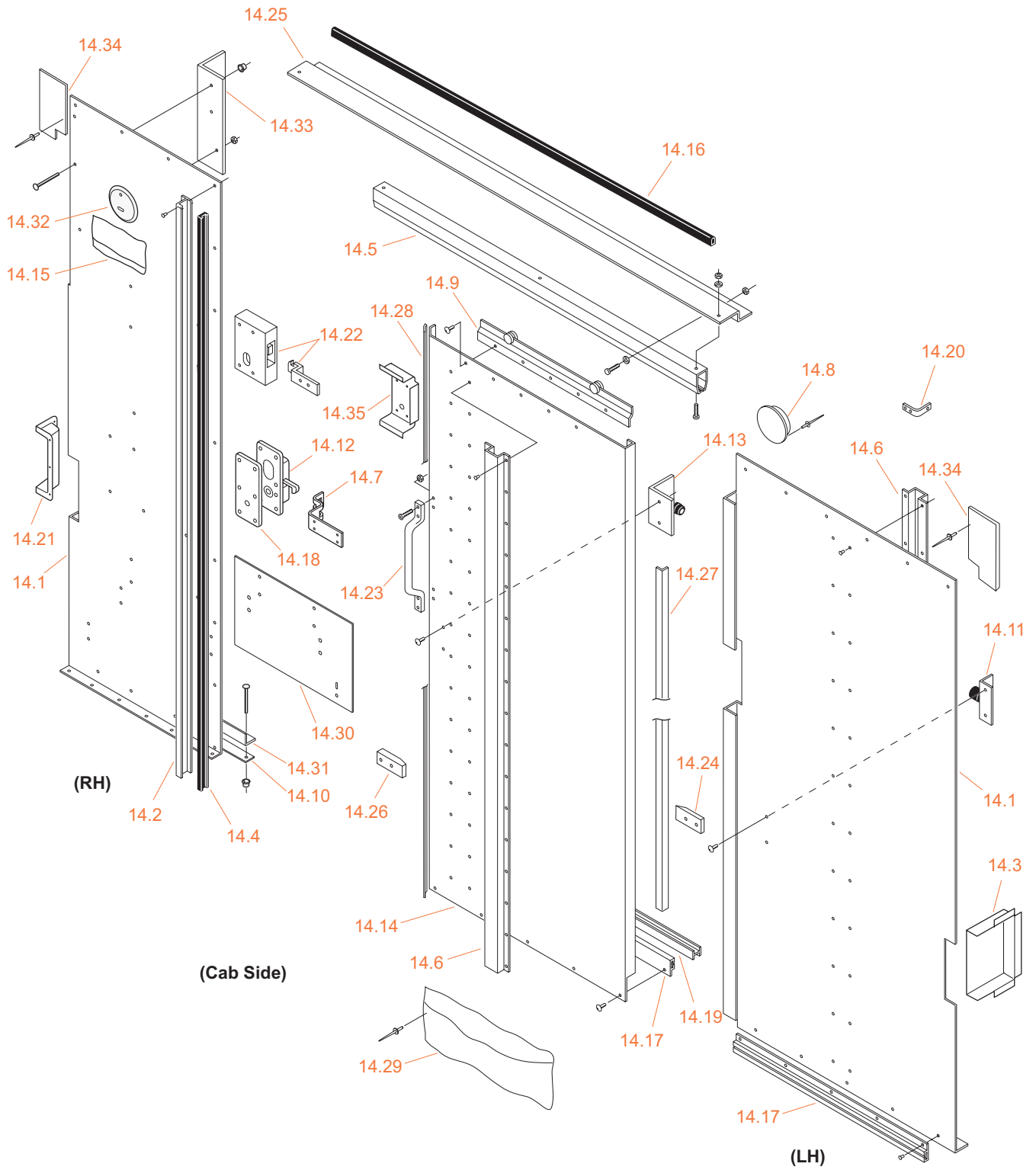
13—Cab Decals and Options



Item	Part Number	Description
13.0		CAB OPTIONS
13.1	03101462	DECAL PARTS & WARRANTY 2.31 x 4.00
13.2	01800113	HOLDER CUP (PIVOT)
13.3	08610254	BTL WASHER ASY 1GL
13.4.1	06916876	COVER HTR MOTOR
13.4.2	22813966	COV A/C MOTOR W\PRINT BASKET MNT
13.4.3	11301401	SCREW 8 x 5/8
13.5.1	17013005	FAN W\SHLD FAN-TASTIC
13.5.2	17900815	FAN CHROME 3-WIRE 2-SPEED
13.6.0	15201720	REFLECTOR KIT TRIANGLE
13.6.1	22815691	BRKT TRIANGLE KIT
13.7 LH	06601691	MOUNT RADIO LH SIDE
13.7 RH	06601692	MOUNT RADIO RH SIDE
13.8.1	06919789	MOUNT RADIO
13.8.2	06916615	MOUNT RADIO FRONT DIN
13.9	17407102	SPEAKER 4" SQ AUDIOVEX
13.10	17400002	COV SPEAKER 4" SQ FLAT
13.11.1	17900761	RADIO SONY EXR-11 AM/FM/CASS
13.11.2	17900418	** RADIO AM/FM DIN MOUNT
13.11.3	17900791	RADIO AM/FM WEATHERBAND
13.11.4	16512867	RADIO CD/AM/FM STEREO
13.11.5	17900897	AM/FM DIN MOUNT DETACH FACE
13.12.0	64236161	BOX ASY GLOVE 8.5 x 10 x 15
13.12.1	08706320	CHAIN VINYL COVERED
13.12.2	08704801	LOCK THUMB
13.13	20510396	CUPHOLDER ASSEMBLY (STATIONARY)
13.14.1	22815726	SUPPORT CUPHLDR 93.5W HYDR
13.14.2	22815638	SUPPORT CUPHLDR 93.5W W/HNDBRK
13.15	20510670	CUP HOLDER FOLD DOWN
13.16	BSNR	FEDERAL CERTIFICATION DECAL
13.17	03000823	DECAL CAUTION DOOR MUST BE CLOSED
13.18.1	21310610	KIT SAFETY
13.18.2	21310611	KIT FIRST AID
13.18.3	21310294	FIRST AID KIT(ENG/FRENCH)
13.19 LH	06919538	GUARD VENT LH HINGELESS
13.19 RH	06919539	GUARD VENT RH HINGELESS
13.20	BSNR	MONITOR BACK-UP SYSTEM
13.21.1	07100184	VENT TRIM RING 2.5"
13.21.2	07206225	VENT TRIM RING .69"
13.22	07100165	VENTILATOR 2-WAY ALUM 4 X 10
13.23	07206234	VENT POWER SCS
	See also Sections 8 and 18.	



14—Bulkhead, Aluminum



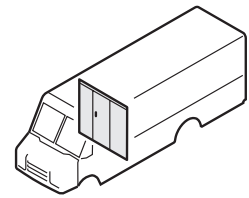
Bulkhead, Aluminum

Utilimaster, 65528 State Road 19, P.O. Box 585, Wakarusa, IN 46573-0585, U.S.A.

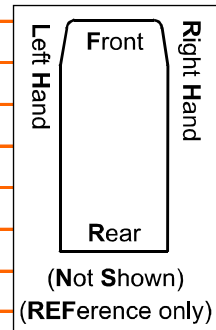
Email CustSvc@Utilimaster.com or Browse the web site www.utilimaster.com.

Call 800-237-7806 (or 574-862-3219) or Fax to 574-862-7637.

(See the Decoding Part Numbers section for Item, Part, and Description codes.)

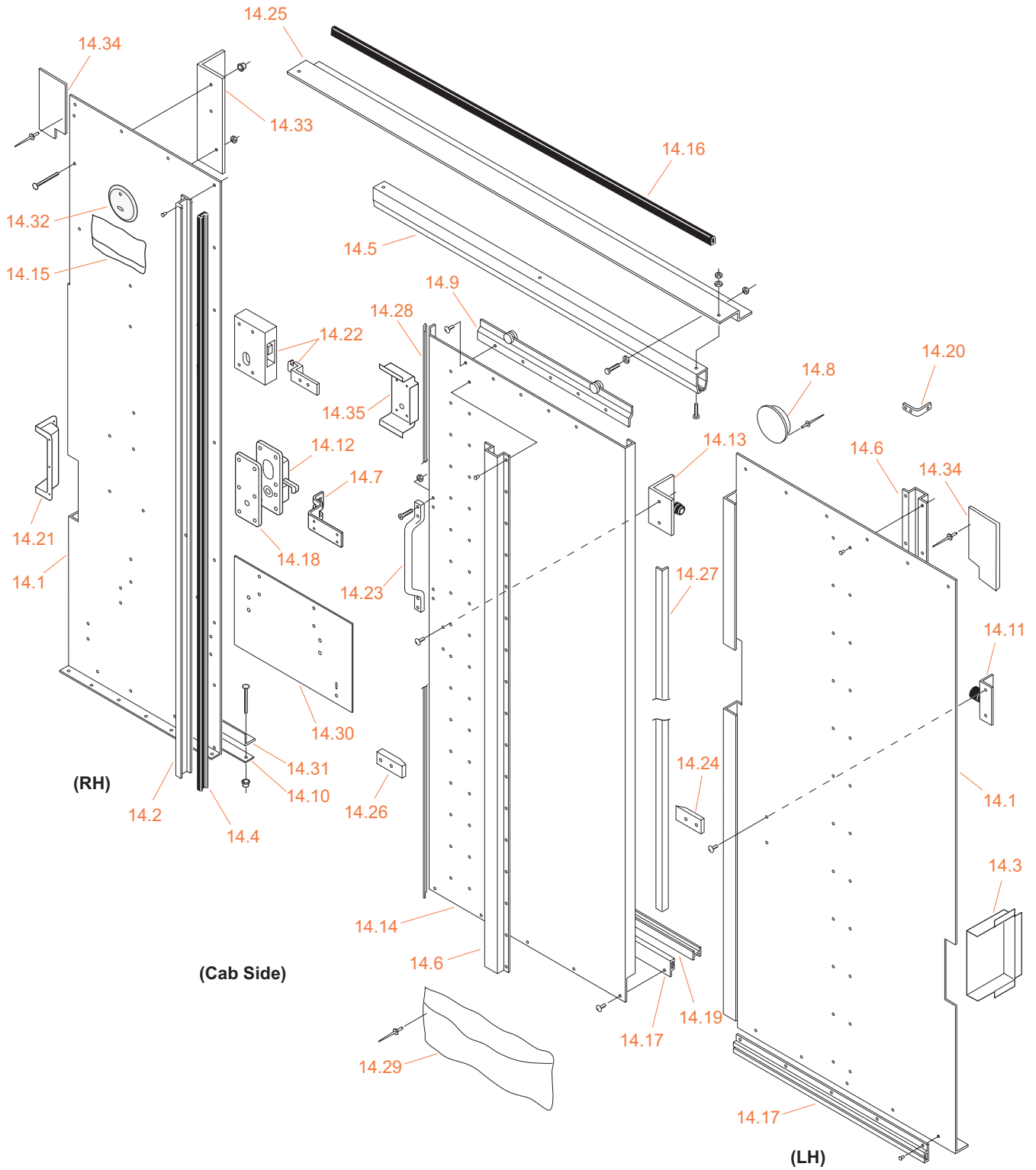


Item	Part Number	Description
14.0		BULKHEAD ASSY, ALUMINUM
14.1	Appendix 06914922	PANEL BULKHEAD
14.2	06013146-Length	W11123 STOP (SPECIFY LENGTH)
14.3	06601644	COV WDW CRANK HANDLE A&B
14.4	05400214	SEAL B/HEAD 1"W (SPECIFY LENGTH)
14.5	08220043	TRACK BH DR 16GA x 60"
14.6	06002055-Length	IA1215 HAT 06002055 (Specify Length)
14.7	22810336	BRACKET B/H DR LATCH
14.8	15202126	LIGHT KD 12V CARGO
14.9.1	08610489	ROLLER ASY BLKHD DR 21"
14.9.2	08610491	ROLLER ASY BLKHD DR
14.9.3	08610907	ROLLER ASY BULKHEAD DOOR 25.38"
14.10	06500964	ALUM .125 x 1.5 x 20
14.11	08610356	STOP ASY BH DR RECEPT (FEMALE ASSY)
14.12	08700278	LATCH DOOR LH EBERHARD
14.13.1	08610354	STOP ASY BH DR PLUNGER (SINGLE MALE ASSY)
14.13.2	08610355	STOP ASY BH DR PLUNGER (DOUBLE MALE ASSY)
14.13.3	08210026	DOOR HOLDER (HARD) (Plunger only)
14.14.1	06918167-Height	PNL BHD DR ENF II 28.38WxH
14.14.2	06921164-Height	DOOR AL BHD KEYS ENT H
14.14.3	06918168-Height	PNL BHD DR ENF II 31.88W x H
14.15	01800010	POUCH OBM DOCUMENT HOLDER
14.16.1	05705499	BULB SEAL 1-5/8 x 1 W/ADHSV
14.16.2	05705661-W	SEAL BULKHEAD W/ADHESIVE 80.00
14.17.1	06013189-03188	IA5635 LWRBH 31.88 06013189
14.17.2	06921726	TRACK DOOR BOTTOM
14.18	06511269	SPACER LATCH 1/4" EBERHARD
14.19-22	08222000	GUIDE B/HD DR UHMW 'H' NTC 22"
14.19-30	20510113	GUIDE B/HD DR UHMW 'H' NTC 30"
14.20	06918209	BRACE, UPPER BLKHD SUPPORT
14.21	20510538	COV SIDE DR LATCH BKHD POS PRS
14.22	08610352	LOCK BHD (ENFRCR) ABLOY



Continued

14—Bulkhead, Aluminum (continued)



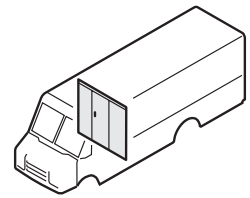
Bulkhead, Aluminum

Utilimaster, 65528 State Road 19, P.O. Box 585, Wakarusa, IN 46573-0585, U.S.A.

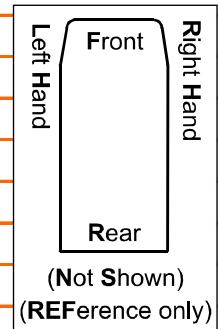
Email CustSvc@Utilimaster.com or Browse the web site www.utilimaster.com.

Call 800-237-7806 (or 574-862-3219) or Fax to 574-862-7637.

(See the Decoding Part Numbers section for Item, Part, and Description codes.)

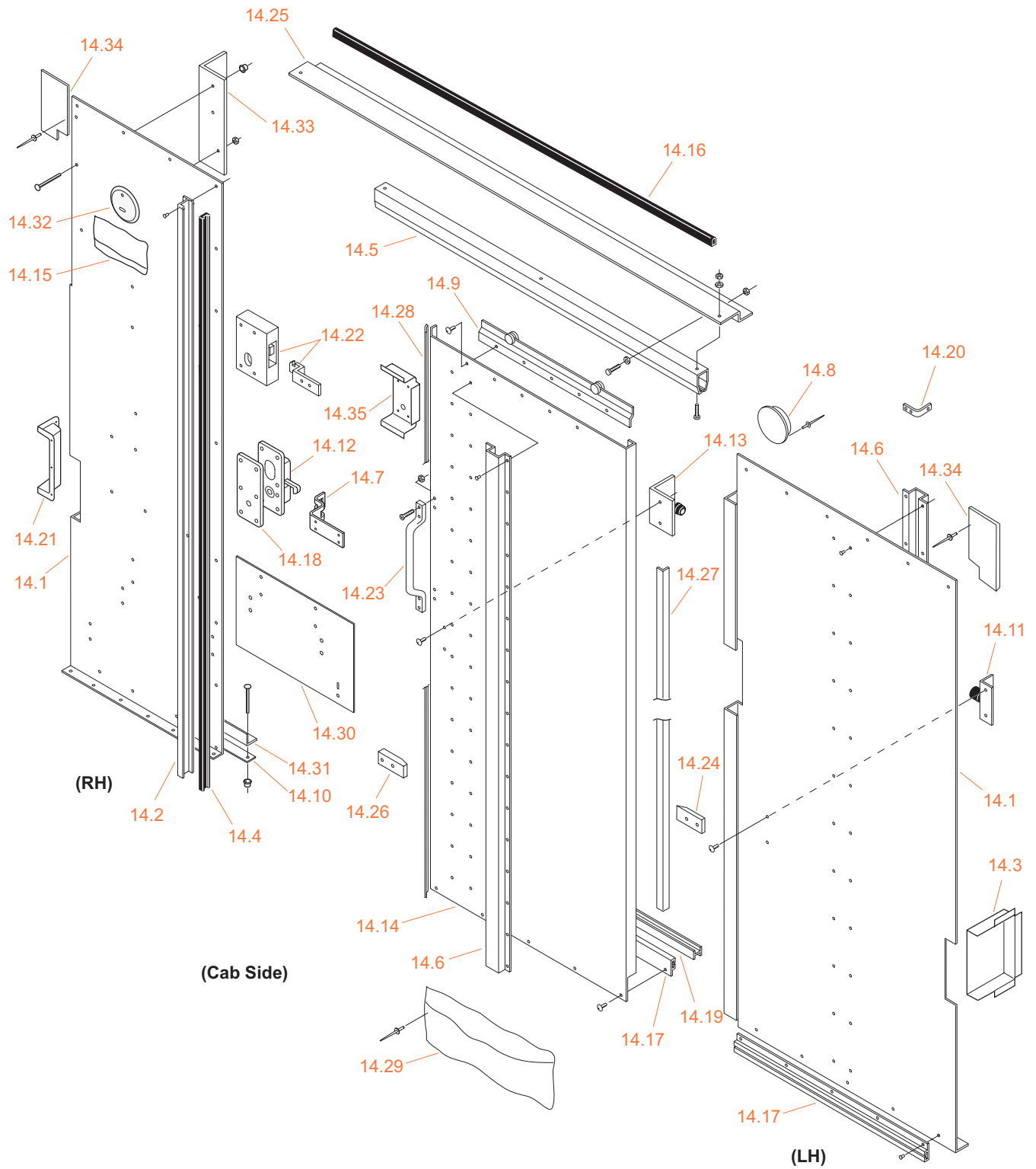


Item	Part Number	Description
14.23	08704347	HANDLE ALUM GRAB
14.24	20510411	SHIM B/H NYLON SPACER-NOISE
14.25	06000727-Length	IA8597 BH BRACE (SPECIFY LENGTH)
14.26	20510403	PAD NYLON B/HEAD SHIM
14.27	06002048	IA3299 ANGLE (SPECIFY LENGTH)
14.28	06013008-Length	IA4161 ANGLE (SPECIFY LENGTH)
14.29.1	13672408	POUCH VIR
14.29.2	01902068	POUCH DOCUMENT
14.29.3	11401222	RIVET POP BLACK
14.30	06918099	REINFORCEMENT JSEAT BH/MNT
14.31	06002050-Length	AE ANGLE .125 x 1.5 x 1.5 IA637
14.32	16512777	READER ACCESS KYLS ENTRY
14.33	06919180	BRACKET BLKHD DOOR LATCH (KYLS)
14.34 LH	22814651-Height	FILLER BHD SIDE SLIDE LH (SPECIFY UNIT HEIGHT)
14.34 RH	22814650-Height	FILLER BHD SIDE SLIDE RH (SPECIFY UNIT HEIGHT)
14.NS	14000625	CARPET, 1 SQ YRD



Continued

14—Bulkhead, Aluminum (continued)



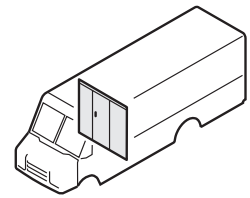
Bulkhead, Aluminum

Utilimaster, 65528 State Road 19, P.O. Box 585, Wakarusa, IN 46573-0585, U.S.A.

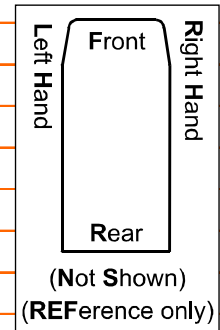
Email CustSvc@Utilimaster.com or Browse the web site www.utilimaster.com.

Call 800-237-7806 (or 574-862-3219) or Fax to 574-862-7637.

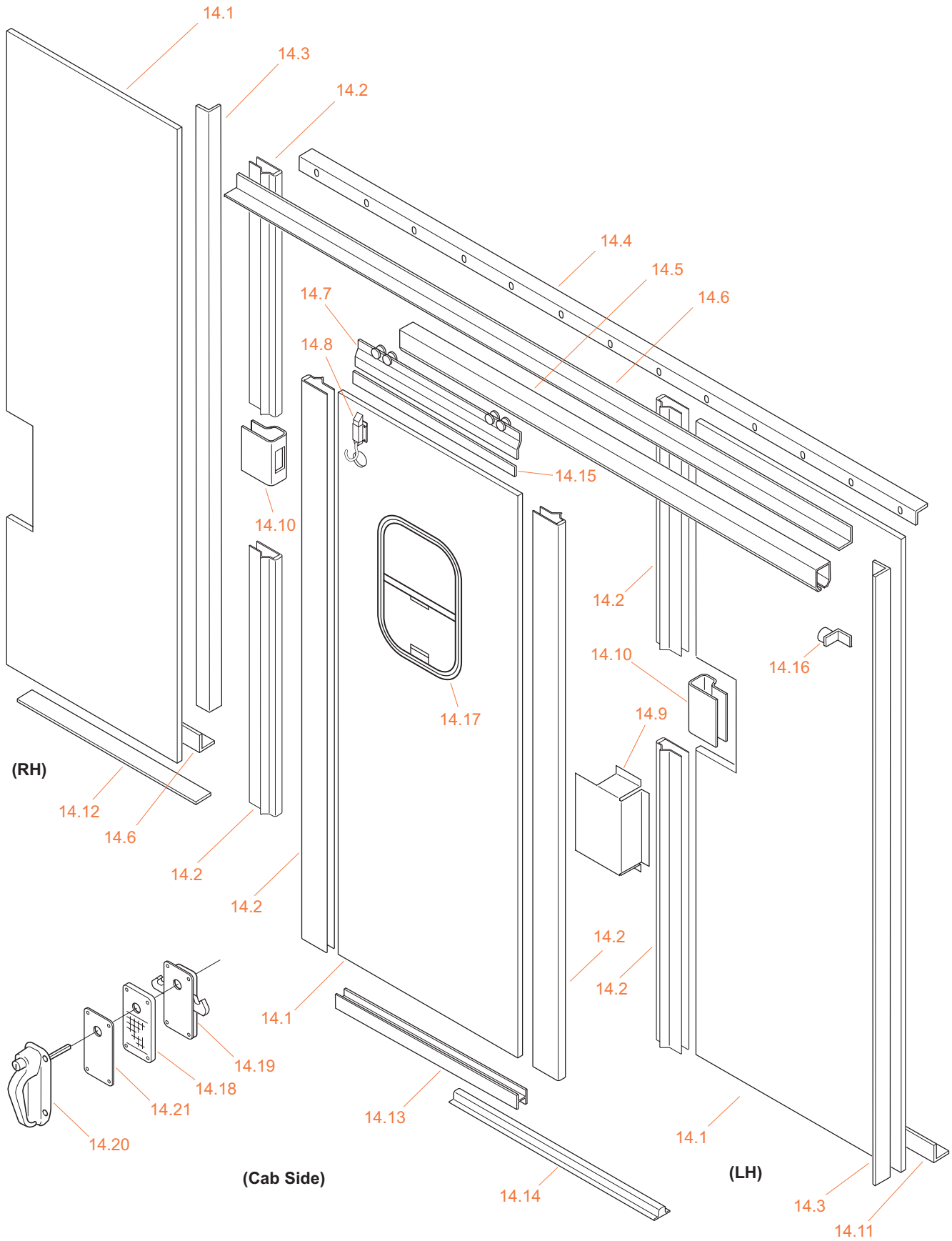
(See the Decoding Part Numbers section for Item, Part, and Description codes.)



Item	Part Number	Description
14.Ref	54232251	SEAL B/HD II KIT SL/SL
14.Ref	57231989	DOOR ASY ALUM BHD II
14.Ref	57231719	DOOR ALUM BHD STD OPENING CHART
14.Ref	54231887	DETAIL, R-38 HRDWR
14.Ref	54232235	DETAIL-BHD TRACK ALUM
14.Ref	54232241	ALUM BHD II W/JS SL/SL
14.Ref	54231896	BH 78.5 x 73 30" AL SL/SL KSN
14.Ref	54231897	BH 78.5 x 73 AL 50/50 SL/SL KSN
14.Ref	54231898	BH 78.5 x 73 STD SL/SL KSN W/JS
14.Ref	54231899	BH 78.5 x 73 AL 1/2 LH SIDE SL
14.Ref	54231900	BH 78.5 x 73 AL RH SIDE SL W O/JS
14.Ref	54231902	DETAIL-FINGER PULL INSTL
14.Ref	54231965	BH 78.5 x 73 STD SL/SL KSN W O/JS
14.Ref	54232007	BH 78.5 x 73 AL LH SIDE SL SMALL
14.Ref	54232820	ASSY ALUMINUM BULKHEAD
14.Ref	54231886	DETAIL LOWER BLKHD DR ALUM A&B
14.Ref	54231875	DETAIL, BULKHEAD TRACK PROFILE
14.Ref	54231888	DETAIL-KASON HDW INSTL 30-36
14.Ref	54231889	DETAIL-EBERHARDT HDW 30-36
	See also Section 11 for bulkhead-mounted jump seat.	



14—Bulkhead, Blandex



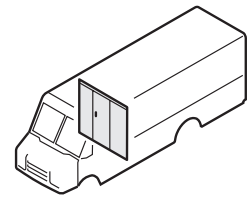
Bulkhead, Blandex

Utilimaster, 65528 State Road 19, P.O. Box 585, Wakarusa, IN 46573-0585, U.S.A.

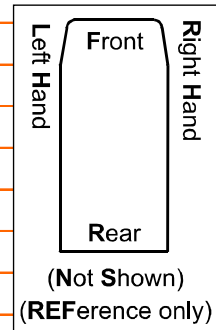
Email CustSvc@Utilimaster.com or Browse the web site www.utilimaster.com.

Call 800-237-7806 (or 574-862-3219) or Fax to 574-862-7637.

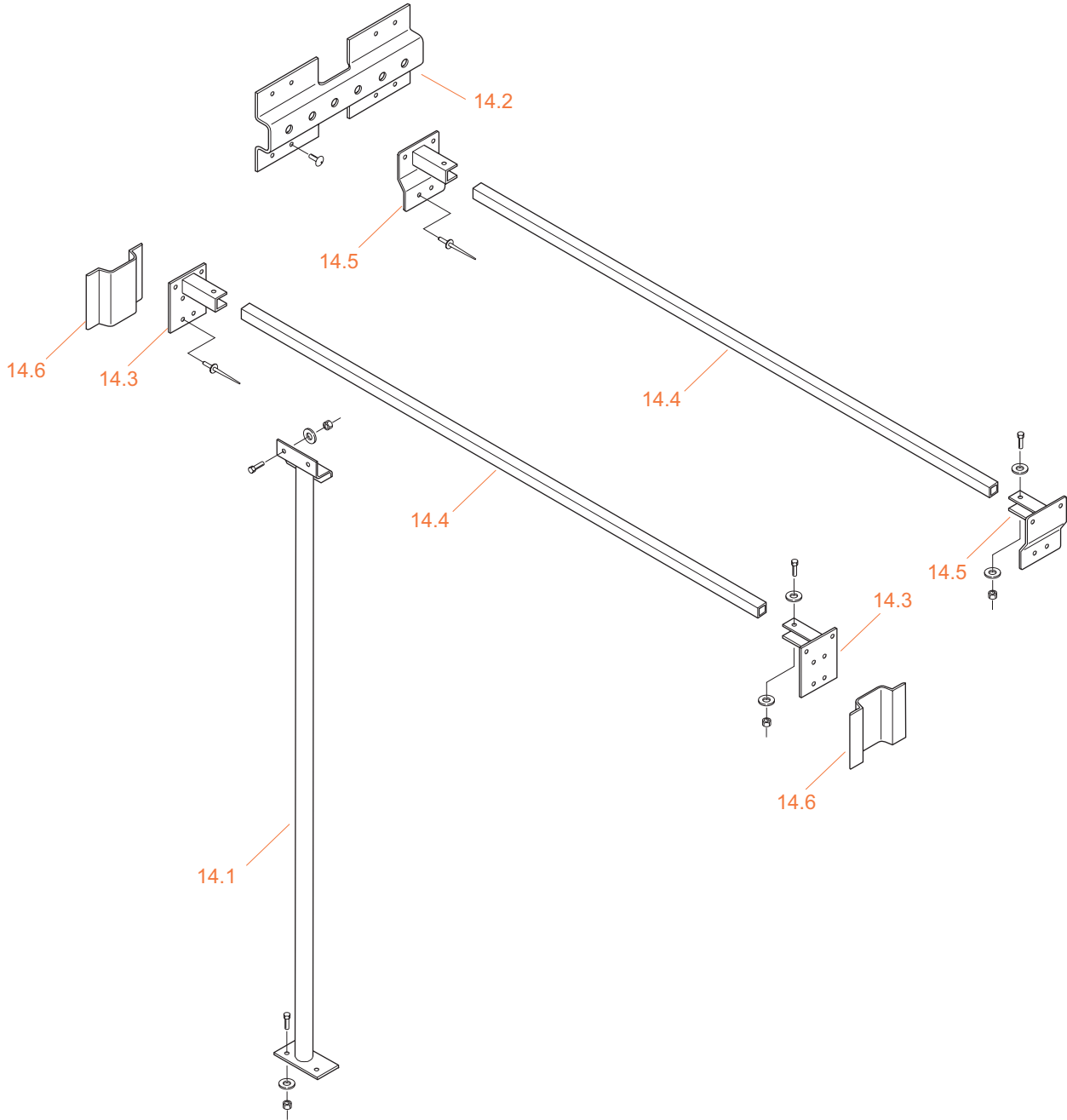
(See the Decoding Part Numbers section for Item, Part, and Description codes.)



Item	Part Number	Description
14.0		Aluminum Clad Plywood (Blandex) Bulkhead
14.1	02101208	BLANDEX .44 x 48 x 96 (BLANK)
14.2	06013164-Length	ALUM EXT B/H DR SEAL IA 5349 (SPECIFY LENGTH)
14.3	06002049-Length	AE ANGLE 1.5 x .188 IA 2072 (SPECIFY LENGTH)
14.4.1	06915617-Length	BRACE BHD TOP RR W \SEALED (SPECIFY LENGTH)
14.4.2	06601808-Length	BRACE BHD TOP RR (SPECIFY LENGTH)
14.5.1	08220155	TRACK BHEAD DR 16GA x 48" 78.5W
14.5.2	08220043	TRACK BH DR 16GA x 60" 86.5W & 93.5W
14.6	06002050-Length	AE ANGLE .125 x 1.5 x 1.5 IA 637 (SPECIFY LENGTH)
14.7.1	08610489	ROLLER ASY BLKHD DR 21"
14.7.2	08610491	ROLLER ASY BLKHD DR 25.38"
14.8.1	08700317	BOLT OFFSET FLUSH
14.8.2	08700318	HOOK 4"
14.9	06601644	COV WDW CRANK HANDLE
14.10	08401240	CATCH B/H LOCK 1"W
14.11	06002050-Length	AE ANGLE .125 x 1.5 x 1.5 IA 637 (SPECIFY LENGTH)
14.12	06500964	ALUM .125 x 1.5 x 20
14.13	06013110-Length	ALUM EXT BTM B/H DR IA 5129 (SPECIFY LENGTH)
14.14	06000270-Length	AE GUIDE RAIL SOLID IA 7467 (SPECIFY LENGTH)
14.15	06918053	SHIM AL BHD .125 x 1.5 x 2.12 W/HLS
14.16.0	54231986	STOP ASY BHD DOOR
14.16.1	08210016	STOP RUBBER FOR SLIDING DOORS
14.17.0	09801612	WDO 18H x 12W VERT SLDR W/SCRN
14.17.1	09081613	TRIM RING
14.18	08610374	SHIM DR .544 x 5.5 x 2.5
14.19	BSNR	INTERIOR HANDLE
14.20	BSNR	EXTERIOR HANDLE
14.21	01700696	SHIM DOOR .25 x 5.50 x 2.5
14.NS	11001401	SCREW 1/4-20 x 11/16 PAN TORX
14.NS	11007502	T-NUT 1/4-20 x 7/16
14.NS	05402091	SEAL DOOR
14.Ref	57233158	INSTL BLANDEX BH DR WDO 18H x 12



14—Bulkhead, Surge Bars



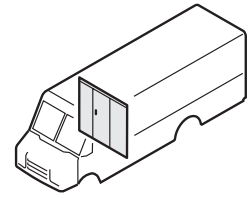
Bulkhead, Surge Bars

Utilimaster, 65528 State Road 19, P.O. Box 585, Wakarusa, IN 46573-0585, U.S.A.

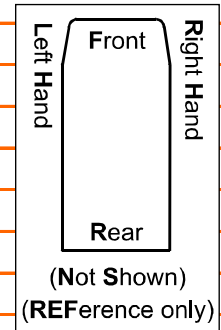
Email CustSvc@Utilimaster.com or **Browse** the web site www.utilimaster.com.

Call 800-237-7806 (or 574-862-3219) or **Fax** to 574-862-7637.

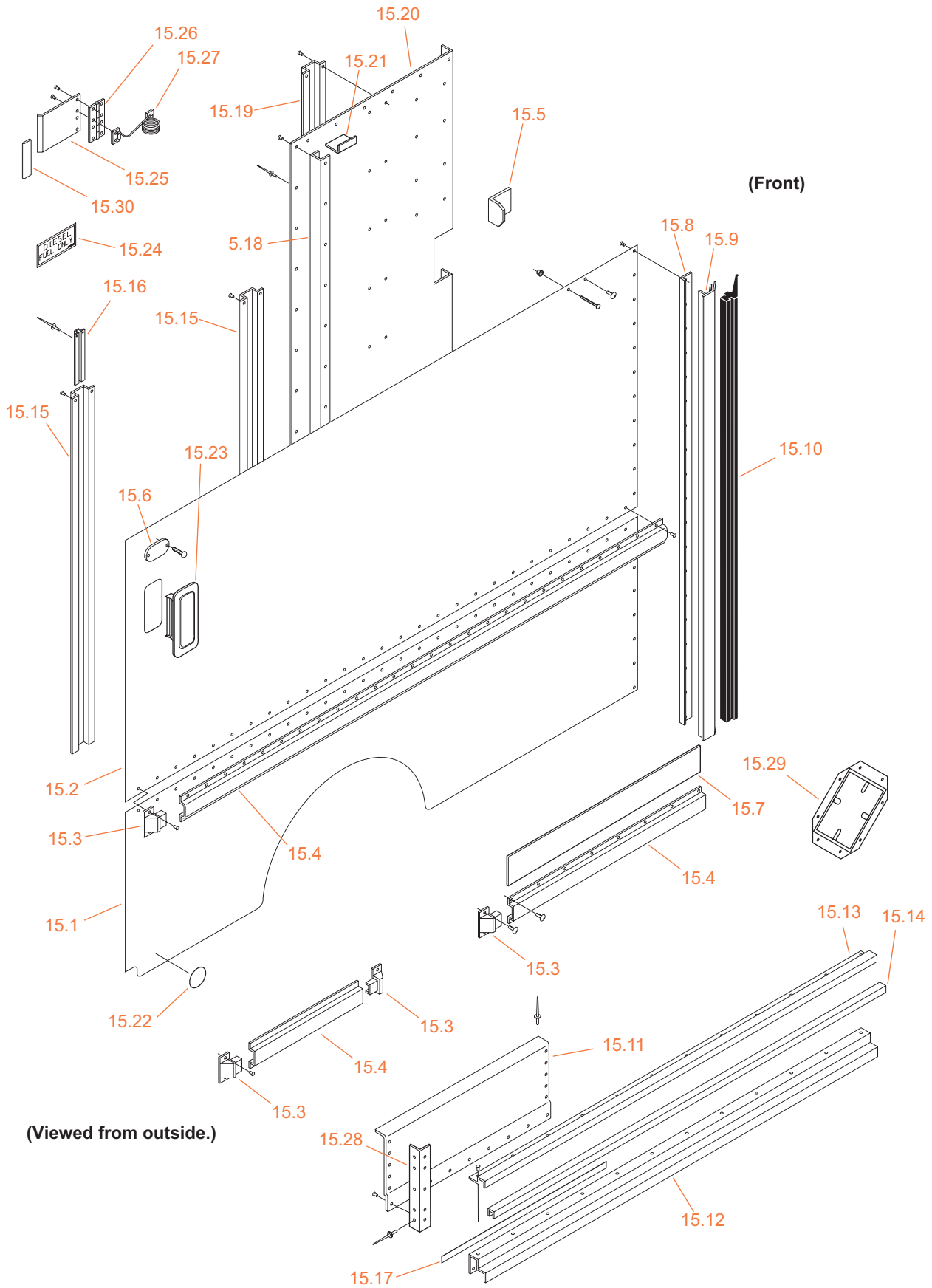
(See the Decoding Part Numbers section for Item, Part, and Description codes.)



Item	Part Number	Description
14.0		Surge Bars
14.1.1	22813632-Height	WELDMENT,SURGE PIPE 1" (SPECIFY UNIT HIEGHT)
14.1.2	22816060	PIPE WLDMT SURGE 1"ID W/FLR OVERLAY 85"H
14.2	06920547	SPACER SURGE BAR
14.3 LH	22816062	BRACKET WLDMT SURGE BAR LH
14.3 RH	22813638	BRACKET WLDMT SURGE BAR STD
14.4	22200639-Length	TUBE 11GA x 1.5 x 1.5 PAINTED (SPECIFY LENGTH)
14.5	22816036	BRACKET WELDMENT SURGE BAR H/DUTY
14.6	06000142-Length	AE RUBRL IA6964 W14875 STD (SPECIFY LENGTH)
14.Ref	54232292	SURGE BAR ASSY



15—Sidewalls



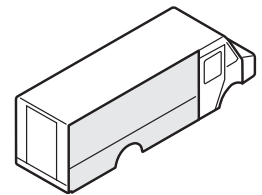
Sidewalls

Utilimaster, 65528 State Road 19, P.O. Box 585, Wakarusa, IN 46573-0585, U.S.A.

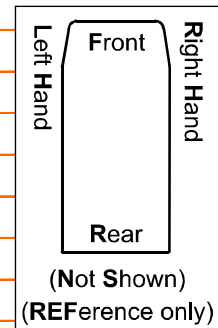
Email CustSvc@Utilimaster.com or Browse the web site www.utilimaster.com.

Call 800-237-7806 (or 574-862-3219) or Fax to 574-862-7637.

(See the Decoding Part Numbers section for Item, Part, and Description codes.)

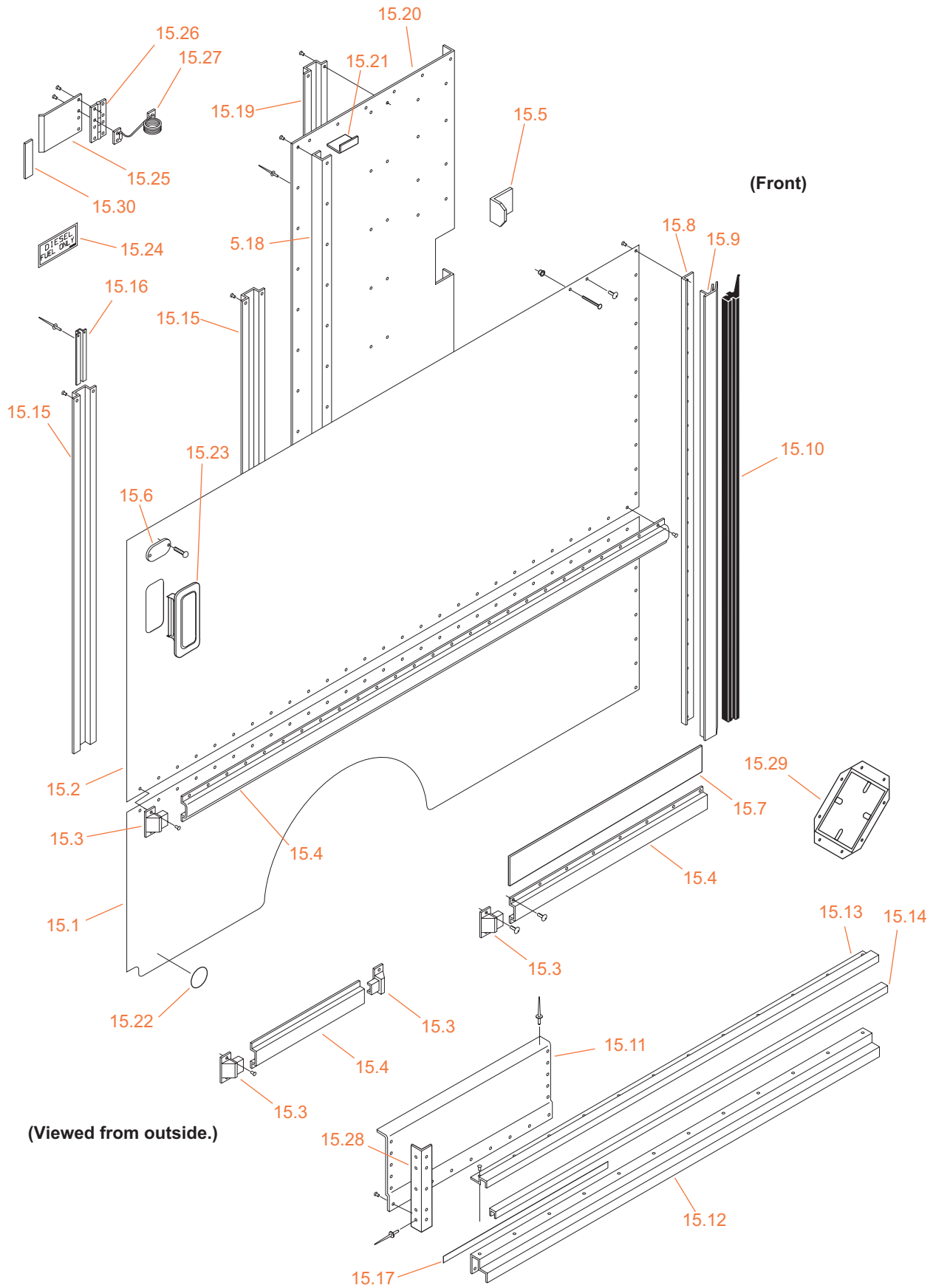


Item	Part Number	Description
15.0		SIDEWALL ASSY
15.1	BSNR	METAL, LOWER SIDEW ALL
15.2	BSNR	METAL, UPPER SIDEW ALL
15.3	06909455	CASTING, RUBRAIL END W/RADIUS
15.4	06000142-Length	RUBRAIL, IA 6964 RAIL 06000142 (SPECIFY LENGTH)
15.5	06850357	FILLER RAD RUBRAIL
15.6	See Section 16	LIGHT CLRNC RED LED
15.7	Specify Size	ALUM .100 SHEET
15.8	06001991-Length	IA 6001 ANGLE 06001991 (SPECIFY LENGTH)
15.9	06001992-Length	**IA 6002 CAP 06001992 (SPECIFY LENGTH)
15.10	05705497	SEAL SIDE DOOR "FLOCKED"
15.11.1	06601725	DR POCKET LOWER #32, 33, 36
15.11.2	06601763	DR POCKET LWR 4" LWR #32-36
15.12	06003908-Length	IA 8055 DOORWAY (SPECIFY LENGTH)
15.13	06000789-06000	IA 9219 LWR GUIDE HLDR 60.00 06000789
15.14	08610737-06000	GUIDE SLIDING DOOR LOWER 60"
15.15.1	06000142-Length	STUD STANDARD (SPECIFY LENGTH)
15.15.2	06013065-Length	STUD HEAVY DUTY (SPECIFY LENGTH)
15.16	06000768-01200	IA 9140 GUS RR STUD HD 12.00 06000768
15.17	06913452	ALUM .125 x .88 x 29.5
15.18	06000645-Length	IA 7918 TRK (SPECIFY LENGTH)
15.19	06002055-Length	IA 1215 HAT 66.50 06002055 (SPECIFY LENGTH)
15.20	BSNR	DOOR POCKET
15.21	06601720	FILLER DP STUD UPPER
15.22	16200034	REFLECTOR RED TAPE ROUND
15.23	07100165	VENTILATOR 2-WAY ALUM
15.24	03000824	DECAL-DIESEL FUEL ONLY
15.25	06601834	DOOR FUEL FILL
15.26.1	08705184	HINGE 063AL 1 x 1 x 6-1/4
15.26.2	08705196	HINGE 063AL 1 X 1 X 7.75
15.27	08610524	CLOSER DOOR FUEL
15.28	06002050-Length	IA 637 ANGLE 06002050 (SPECIFY LENGTH)



Continued

15—Sidewalls (continued)



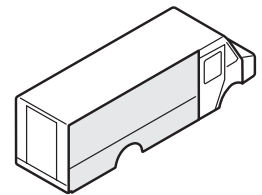
Sidewalls

Utilimaster, 65528 State Road 19, P.O. Box 585, Wakarusa, IN 46573-0585, U.S.A.

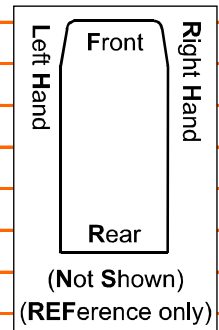
Email CustSvc@Utilimaster.com or **Browse** the web site www.utilimaster.com.

Call 800-237-7806 (or 574-862-3219) or **Fax** to 574-862-7637.

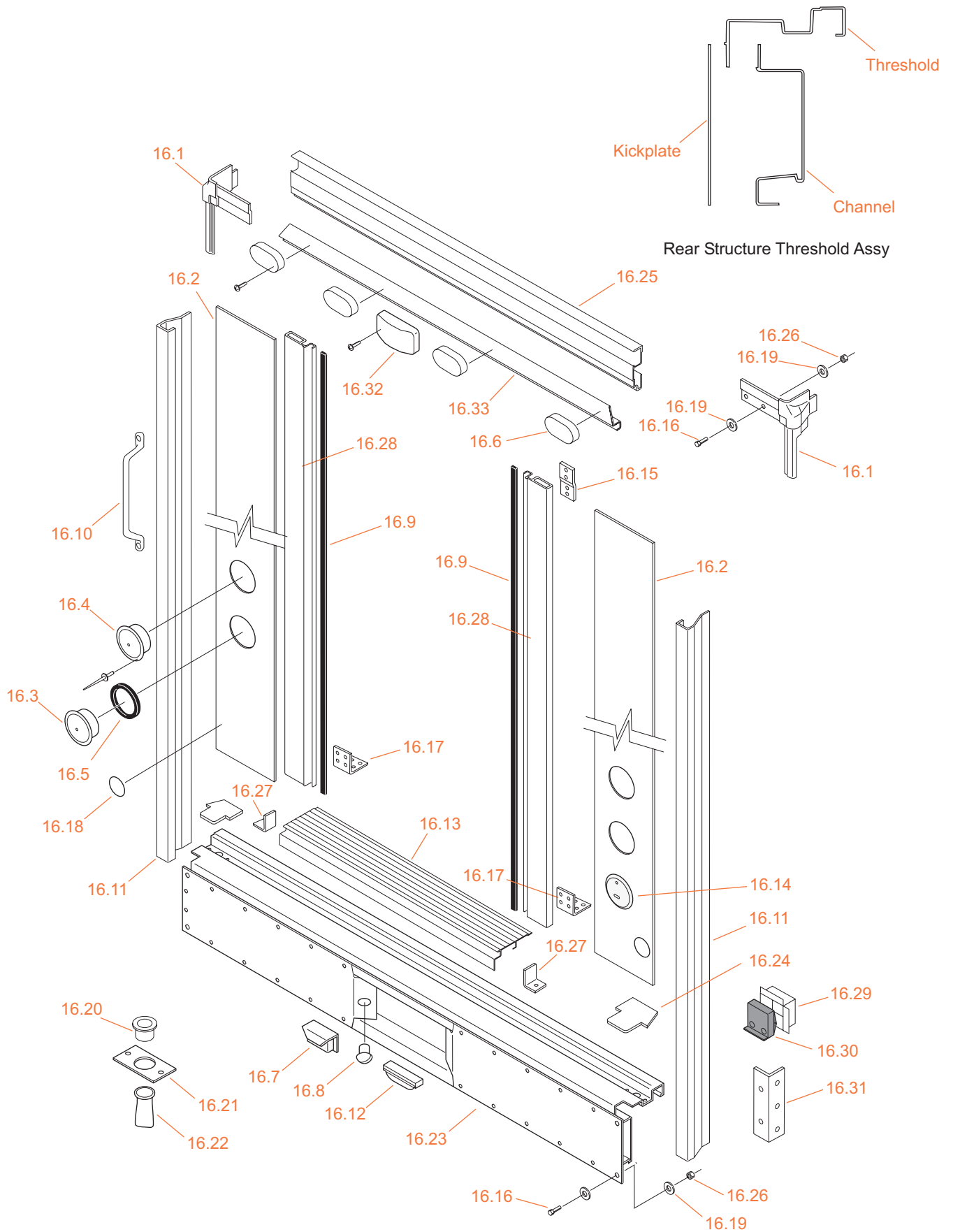
(See the Decoding Part Numbers section for Item, Part, and Description codes.)



Item	Part Number	Description
15.29.1	03101839	PLACARD HAZMAT SOLID
15.29.2	03101863	PLACARD HAZMAT SOLID
15.29.3	03101390	PLACARD FRM HAZMAT STD KT BASE
15.29.4	03101872	PLACARD HAZMAT SOLID
15.29.5	11401221	RIVET POP FW
15.30.0	06919710	STOP GAS FILL DOOR
15.30.1	12300537	TAPE BLK 1/16 x 1" x 54'
15.Ref	57233022	INSTALLATION DOOR POCKET
15.Ref	57231720	DOOR ASY GAS FILL
15.Ref	53234211	ASSY INST SIDEWALL TO ROOF RAIL
15.Ref	53234176	D-SWALL, VENT RH UPR RR W/STOP
15.Ref	53233019	FUEL FILL CUT-OUT LOCATION
15.Ref	53234260	INSTL, REAR STUD/ROOF GUSSET
15.Ref	53233073	WHEELWELL CUTOUT LAYOUTS
15.Ref	53232374	D-SWALL, LOWER SH REAR NOTCH



16—Rear Structure, Narrow Swing Doors



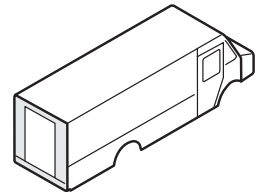
Rear Structure, Narrow Swing Doors

Utilimaster, 65528 State Road 19, P.O. Box 585, Wakarusa, IN 46573-0585, U.S.A.

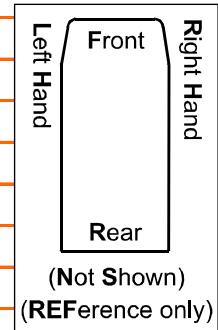
Email CustSvc@Utilimaster.com or Browse the web site www.utilimaster.com.

Call 800-237-7806 (or 574-862-3219) or Fax to 574-862-7637.

(See the Decoding Part Numbers section for Item, Part, and Description codes.)

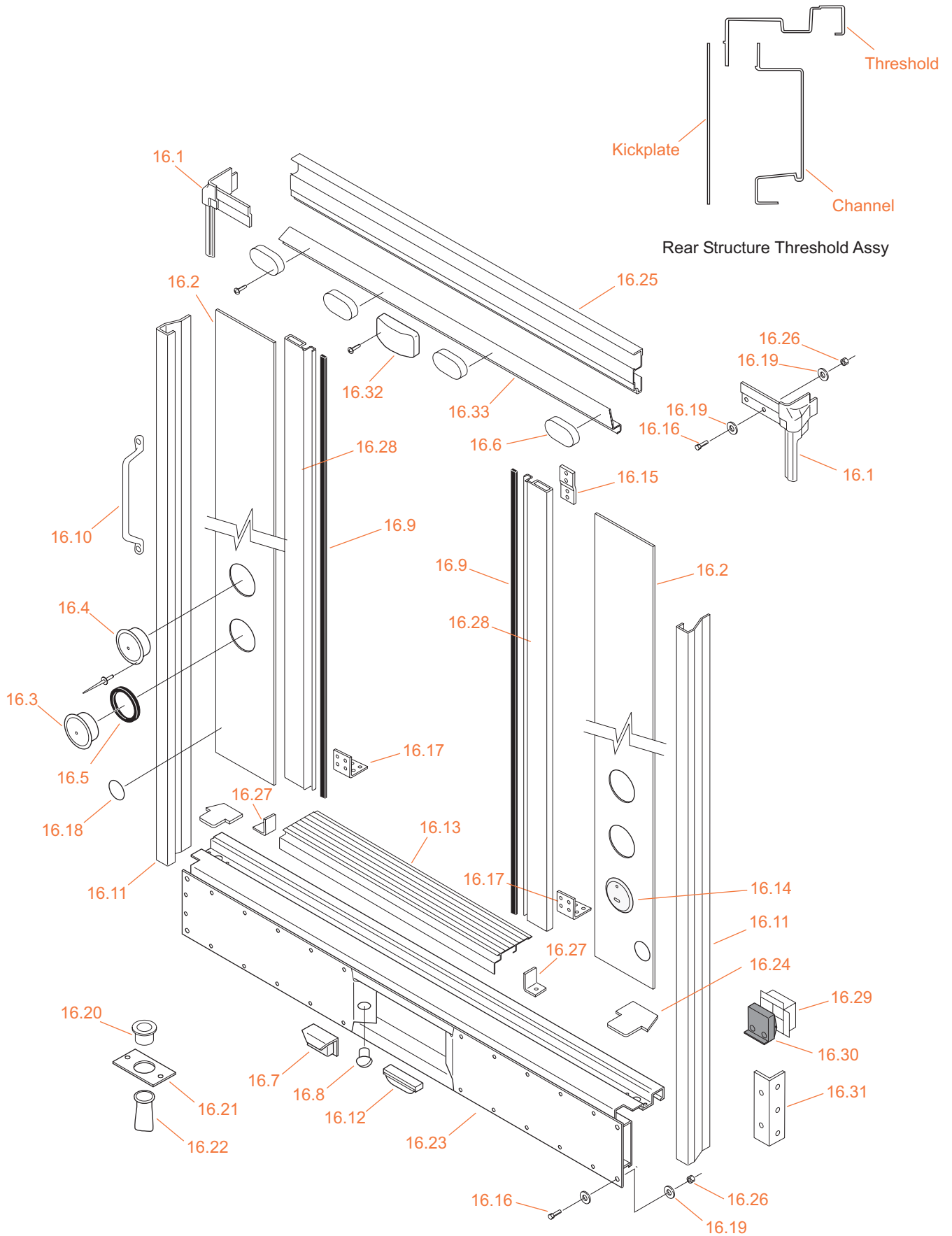


Item	Part Number	Description
16.NrSw	55230967	RR STR ASY NARROW SWING DOORS
16.1 LH	06800094	CASTING RR ROOF LH
16.1 RH	06800095	CASTING RR ROOF RH
16.2	Appendix 55230967	REAR METAL
16.3.1	16100071	LIGHT BACK UP
16.3.2	15202203	LIGHT SUPER 40 BACK-UP KIT
16.3.3	16500088	LAMP BACK UP
16.3.4	16511496	TAILLIGHT BU
16.4.1	16512725	LITE RED LED 4" STT W/FLG
16.4.2	16512989	LIGHT LED STT W/FLANGE
16.4.3	12605901	GASKET FLANGED 4.5"
16.4.4	15200314	LIGHT TURN/STOP/TAIL
16.4.5	16100070	LIGHT STOP/TURN/TAIL
16.4.6	16512782	LT STOP/TURN/TAIL LED
16.4.7	15202202	LIGHT SUPER 40 RED KIT
16.4.8	16511495	TAILLIGHT S/T/T
16.5	16100072	GROMMET TAILLIGHT
16.6.1	16500239	LIGHT CLRNC RED LED
16.6.2	16512042	LIGHT CLRANCE 2-1/2 RED
16.6.3	16512293	CLEARANCE LITE RED
16.6.4	16512529	LIGHT CLEARANCE RED
16.6.5	15200409	LIGHT CLEARANCE RED
16.6.6	16512991	LIGHT LED CLEARANCE RED
16.6.7	15200547	LIGHT CLEARANCE RED
16.6.8	15200560	LIGHT CLEARANCE RED
16.6.9	16100075	CLEARANCE LIGHT RED
16.6.10	12605903	GASKET PM LED LITE
16.6.11	16512290	PLUG LED
16.7.1	15200308	LIGHT LIC PLATE S. STAT
16.7.2	16512785	LIGHT LICENSE PLATE
16.8	16100077	LIGHT LICENSE PLATE
16.9	05402183	SEAL "D" .375 x .625
16.10	08704347	HANDLE ALUM GRAB
16.11	06003852-Length	IA7281 POST (SPECIFY LENGTH)
16.12.1	16512260	LIGHT LICENSE PLATE
16.12.2	16512261	LIGHT BASE LIC PLATE FOR 16512260



Continued

16—Rear Structure, Narrow Swing Doors (continued)



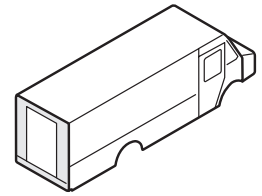
Rear Structure, Narrow Swing Doors

Utilimaster, 65528 State Road 19, P.O. Box 585, Wakarusa, IN 46573-0585, U.S.A.

Email CustSvc@Utilimaster.com or Browse the web site www.utilimaster.com.

Call 800-237-7806 (or 574-862-3219) or Fax to 574-862-7637.

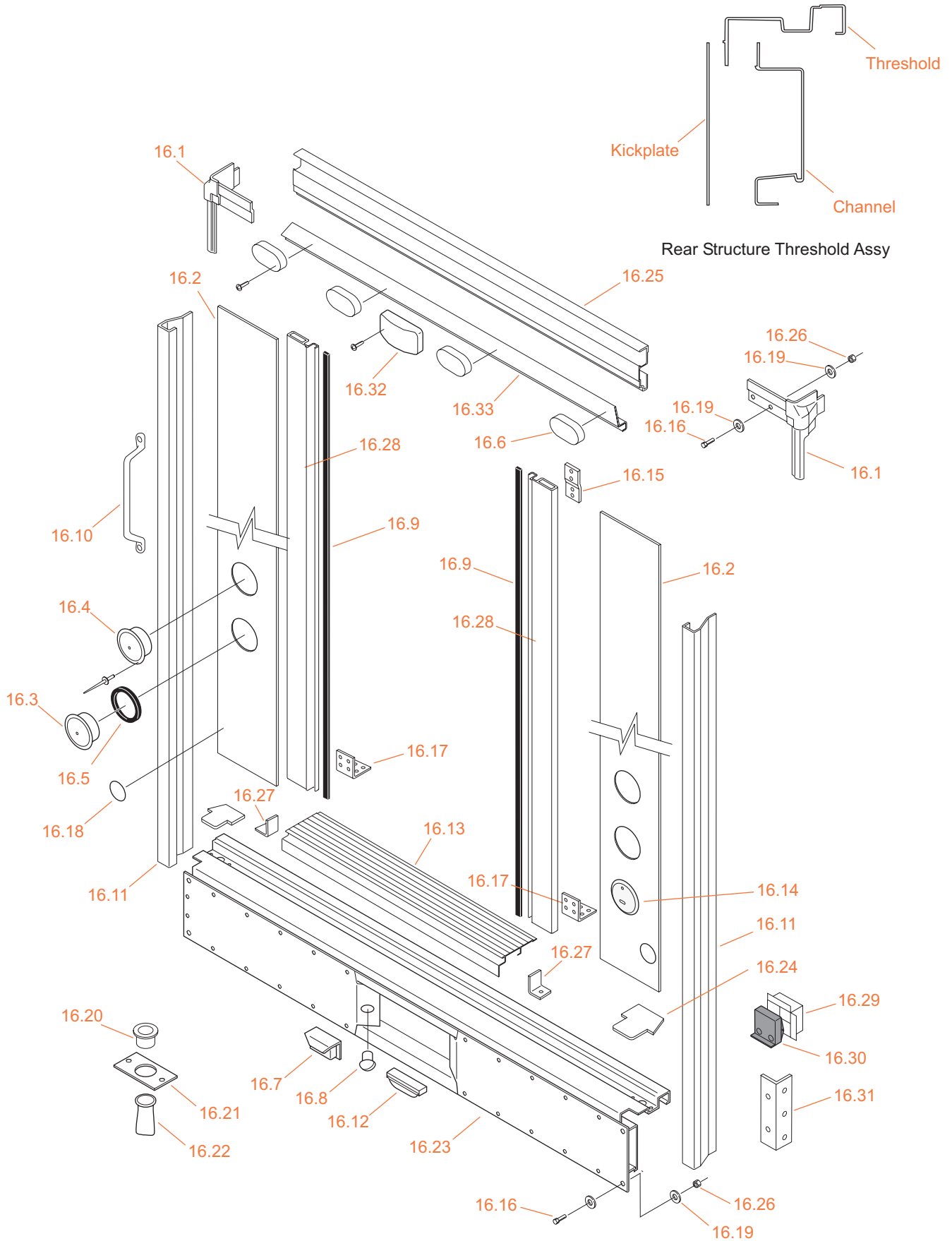
(See the Decoding Part Numbers section for Item, Part, and Description codes.)



Item	Part Number	Description	
16.13.1	06012503-CHART	IA7919 FILLER 06003892 (SPECIFY LENGTH)	<div style="border: 1px solid black; padding: 5px; text-align: center;"> <p>Left Hand Front Right Hand</p> <p> Rear </p> <p>(Not Shown) (REFerence only)</p> </div>
16.13.2	06921479-CHART	FILLER T/HOLD 20" SWING DOOR W\RAMP	
16.14	16512777	READER ACCESS KYLS ENTRY	
16.15	06601716	BRACKET RR DR FRAME SWG	
16.16	11600175	BOLT HEX CAP 5/16-18 x 1.5 SS	
16.17	06915579	ANGLE HLS (BRKT) 2" 06002035	
16.18.1	16200034	REFLECTOR RED TAPE ROUND 2.88	
16.18.2	16511547	REFLECTOR RED 3"	
16.18.3	15200498	REFLECTOR RED TAPE (Rectangle)	
16.19	11000160	WASHER 5/16 FLAT SS	
16.20	19901120	GROMMET KAZOO DRAIN	
16.21	06913511	BRKT KAZOO DRAIN .125 x 1.70 x 4.0	
16.22.1	19901122	HOSE DUCK BILL	
16.22.2	19901253	DRAIN RUBBER KAZOO	
16.23.1	Appendix 55231017	KICKPLATE REAR	
16.23.2	06915570-Width	IA9056 THRSH NTCH 06003893	
16.23.3	06012493-Width	IA9055 CHNL MOD 06003891	
16.23.4	06915563-Width	THRESHOLD NTC 06003893	
14.23.5	06920748-Length	THRES RR STR W/KAZOO DRAIN 06000808 (NO TAB)	
16.24	06502677	FILLER RR CORNER POST	
16.25	06916159-Width	IA7473 HDR NTC (SPECIFY UNIT WIDTH)	
16.26	11000040	NUT LCK WXD 5/16-18 2WAY GR5 ZN	
16.27 LH	06917082	IA637 ANGLE LH 1.56 06002050	
16.27 RH	06917080	IA637 ANGLE RH 1.56 06002050	
16.28 LH	06014421-CHART	IAH1645 DR FRM LH 06003900 (SPECIFY LENGTH)	
16.28 RH	06014422-CHART	IAH1645 DR FRM RH 06003900 (SPECIFY LENGTH)	
16.29	06916526	BOX WLDMT SENSOR FEDEX #30-36	
16.30 LH	16512737	ECHO SENSOR LH	
16.30 RH	16512736	ECHO SENSOR RH	
16.31	06915784	ANGLE RR STR SPRT .188 x 2 x 3.38	
16.32.1	16511939	LIGHT CNTR HI-MNTD STOP	
16.32.2	16512635	LITE LED HI/MNT STOP	
16.32.3	16512993	LIGHT REAR CHMSL LED	
16.33	06012496-CHART	IA7934 HDR FIL 06003899 (SPECIFY LENGTH)	

Continued

16—Rear Structure, Narrow Swing Doors (continued)



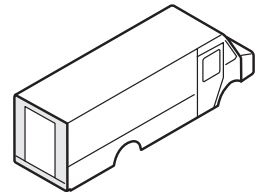
Rear Structure, Narrow Swing Doors

Utilimaster, 65528 State Road 19, P.O. Box 585, Wakarusa, IN 46573-0585, U.S.A.

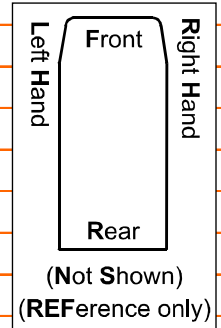
Email CustSvc@Utilimaster.com or Browse the web site www.utilimaster.com.

Call 800-237-7806 (or 574-862-3219) or Fax to 574-862-7637.

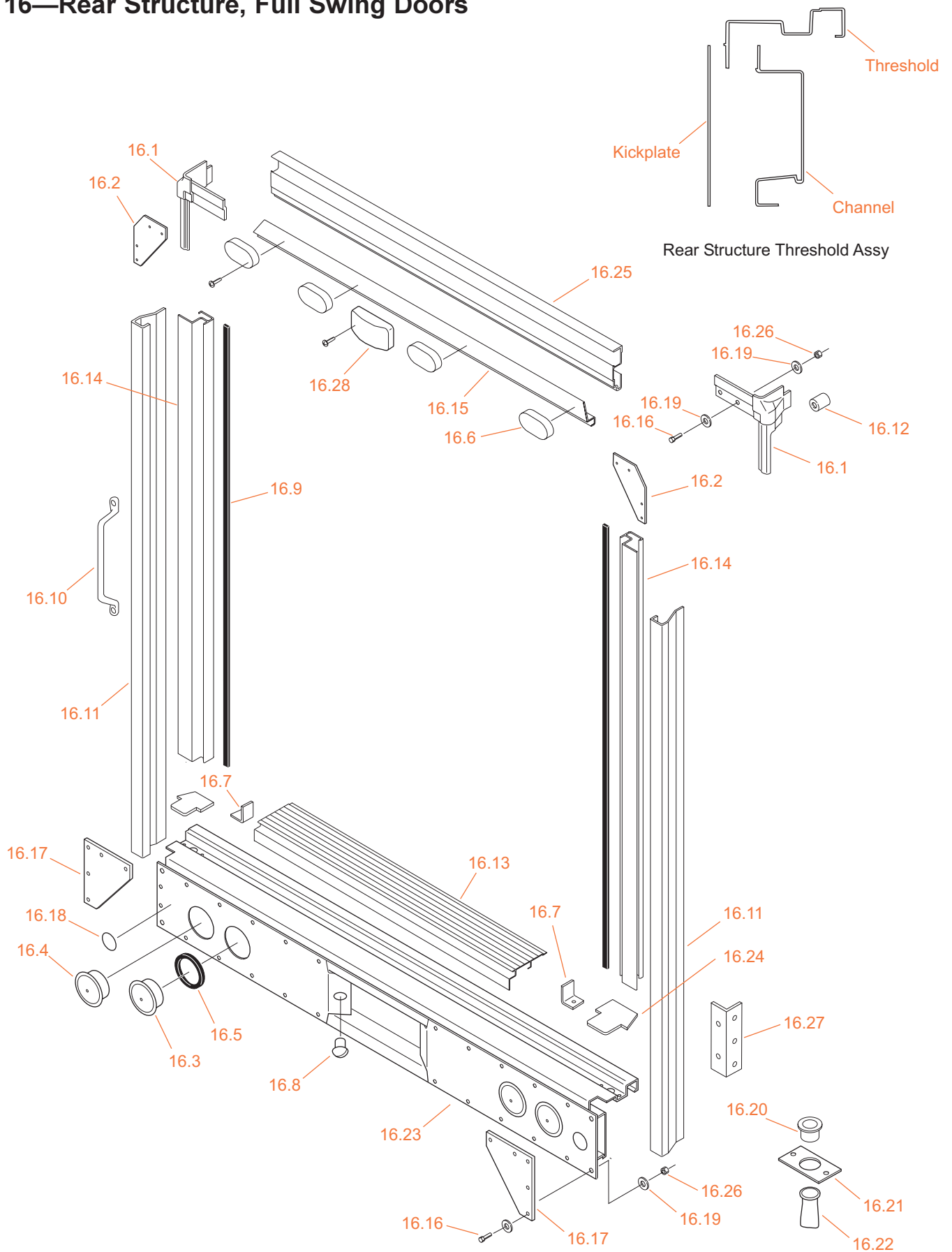
(See the Decoding Part Numbers section for Item, Part, and Description codes.)



Item	Part Number	Description
16.Ref	55231276	INSTALL BRKT OFFSET DR HOLDER
16.Ref	55231310	INSTALL CHMSL LIGHT 16512993
16.Ref	55231240	INSTL RR CLR LT 1612590 ALL
16.Ref	55231307	REAR CLEARANCE LIGHT 16513086 INSTL
16.Ref	55231274	INSTALL RR CLEARANCE LIGHT 16512878
16.Ref	53234684	GRAB HANDLE LOC RH & REAR 18 x 93.5 x 85
16.Ref	55231259	RR STR ASY ROLL UP 2PT
16.Ref	06917081	GUARD INST T/HOLD FILLER
16.Ref	55230995	KAZOO DRAIN INSTAL



16—Rear Structure, Full Swing Doors



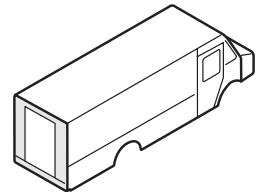
Rear Structure, Full Swing Doors

Utilimaster, 65528 State Road 19, P.O. Box 585, Wakarusa, IN 46573-0585, U.S.A.

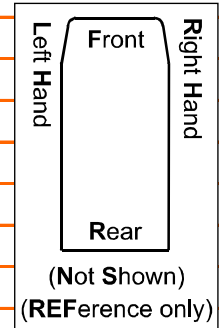
Email CustSvc@Utilimaster.com or Browse the web site www.utilimaster.com.

Call 800-237-7806 (or 574-862-3219) or Fax to 574-862-7637.

(See the Decoding Part Numbers section for Item, Part, and Description codes.)

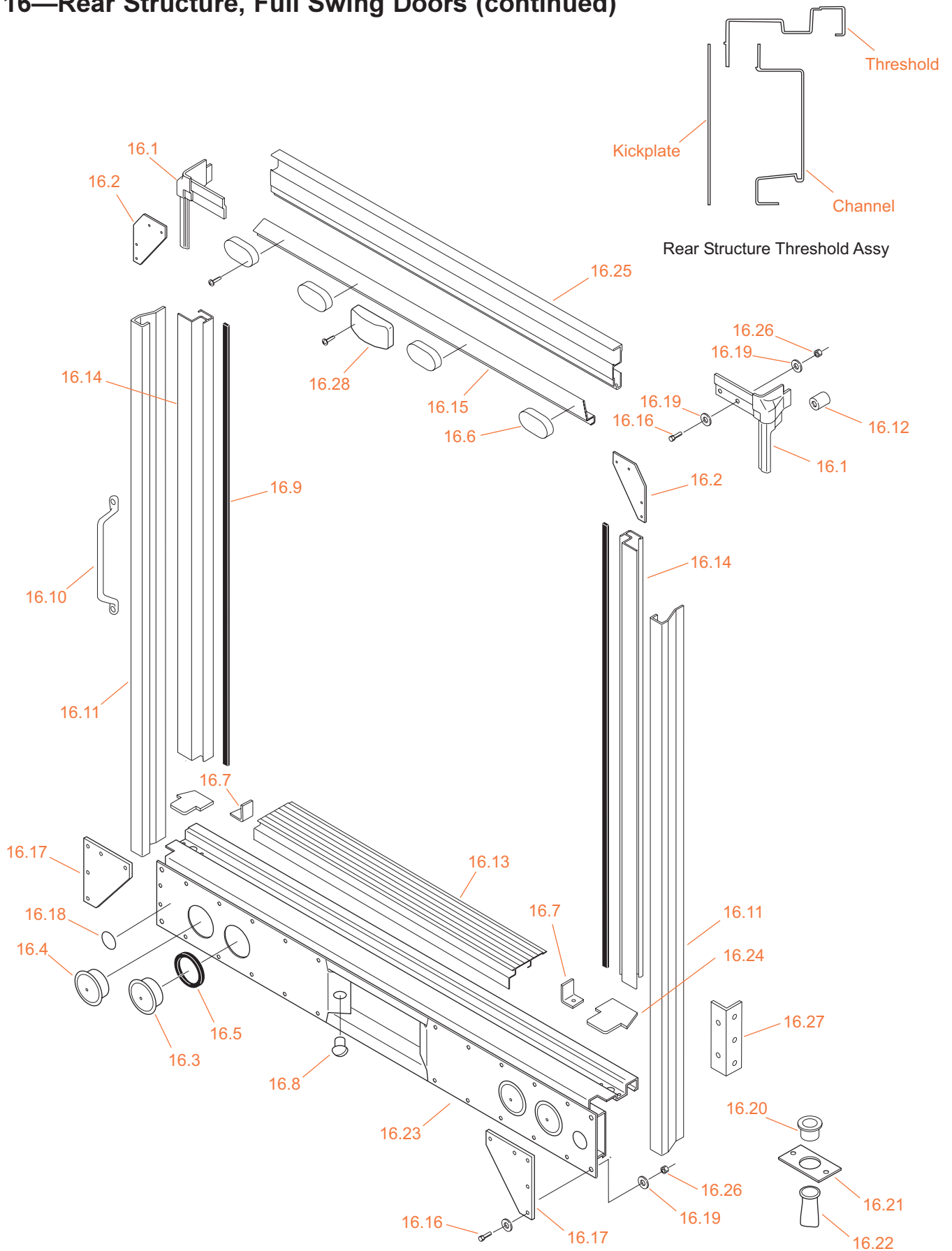


Item	Part Number	Description
16.FS	55230966	RR STR ASY FULL SWING DOORS
16.QF	55230968	RR STR ASY QRT FOLD SWING DOORS
16.1 LH	06800094	CASTING RR ROOF LH
16.1 RH	06800095	CASTING RR ROOF RH
16.2	06915488	GUSSET RR STR UPR SWG/DRS
16.3	See Nar Swg Asy	LIGHT BACK UP
16.4	See Nar Swg Asy	LITE RED LED 4" STT W/FLG
16.5	See Nar Swg Asy	GROMMET TAILLIGHT
16.6	See Nar Swg Asy	LIGHT CLRNC RED LED
16.7 LH	06917082-Length	IA637 ANGLE LH 1.56 06002050
16.7 RH	06917080-Length	IA637 ANGLE RH 1.56 06002050
16.8	See Nar Swg Asy	LIGHT, LICENSE PLATE
16.9	05402183	SEAL "D" .375 x .625
16.10	08704347	HANDLE ALUM GRAB
16.11	06003852-Length	IA7281 POST (SPECIFY LENGTH)
16.12	22813386-00075	TUBE 1"OD x 3/8"ID x 5/16" WALL x .75
16.13.1	06012501-Length	IA7919 FILLER NTC 06003892 (SPECIFY LENGTH)
16.13.2	06012506-Length	FILLER THRES 1/4 FOLD 06003892 (SPECIFY LENGTH)
16.13.3	06923115-Length	FILLER T/HOLD BIFOLD DR W/RAMP (SPECIFY LENGTH)
16.14 LH	06014420-Length	IA7933 FILR LH 06003898 (SPECIFY LENGTH)
16.14 RH	06014419-Length	IA7933 FILR RH 06003898 (SPECIFY LENGTH)
16.15.1	06012497-Width	IA7934 HDR FIL FSWG 06003899 (SPECIFY UNIT WIDTH)
16.15.2	06014437-Width	IA7934 HDR FLR QF 06003899 (SPECIFY UNIT WIDTH)
16.16	11600175	BOLT HEX CAP 5/16-18 x 1.5 SS
16.17.1	06502984	GUSSET LOWER RR STR
16.17.2	22817088	GUSSET REAR STRUCTURE LOWER STEEL
16.18	See Nar Swg Asy	REFLECTOR RED TAPE ROUND
16.19	11000160	WASHER 5/16 FLAT SS
16.20	19901120	GROMMET KAZOO DRAIN
16.21	06913511	BRKT KAZOO DRAIN .125 x 1.70 x 4.0
16.22.1	19901122	HOSE DUCK BILL std
16.22.2	19901253	DRAIN RUBBER KAZOO
16.23	See Nar Swg Asy	KICKPLATE ASY
16.24	06502677	FILLER RR CORNER POST
16.25	See Nar Swg Asy	IA7473 HDR NTC (SPECIFY UNIT WIDTH)
16.26	11000040	NUT LCK WXD 5/16-18 2WAY GR5 ZN



Continued

16—Rear Structure, Full Swing Doors (continued)



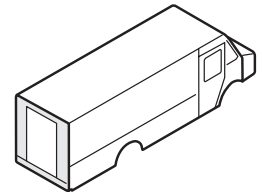
Rear Structure, Full Swing Doors

Utilimaster, 65528 State Road 19, P.O. Box 585, Wakarusa, IN 46573-0585, U.S.A.

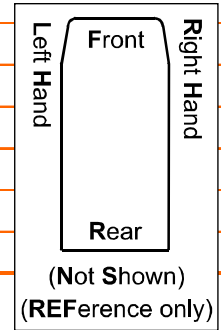
Email CustSvc@Utilimaster.com or Browse the web site www.utilimaster.com.

Call 800-237-7806 (or 574-862-3219) or Fax to 574-862-7637.

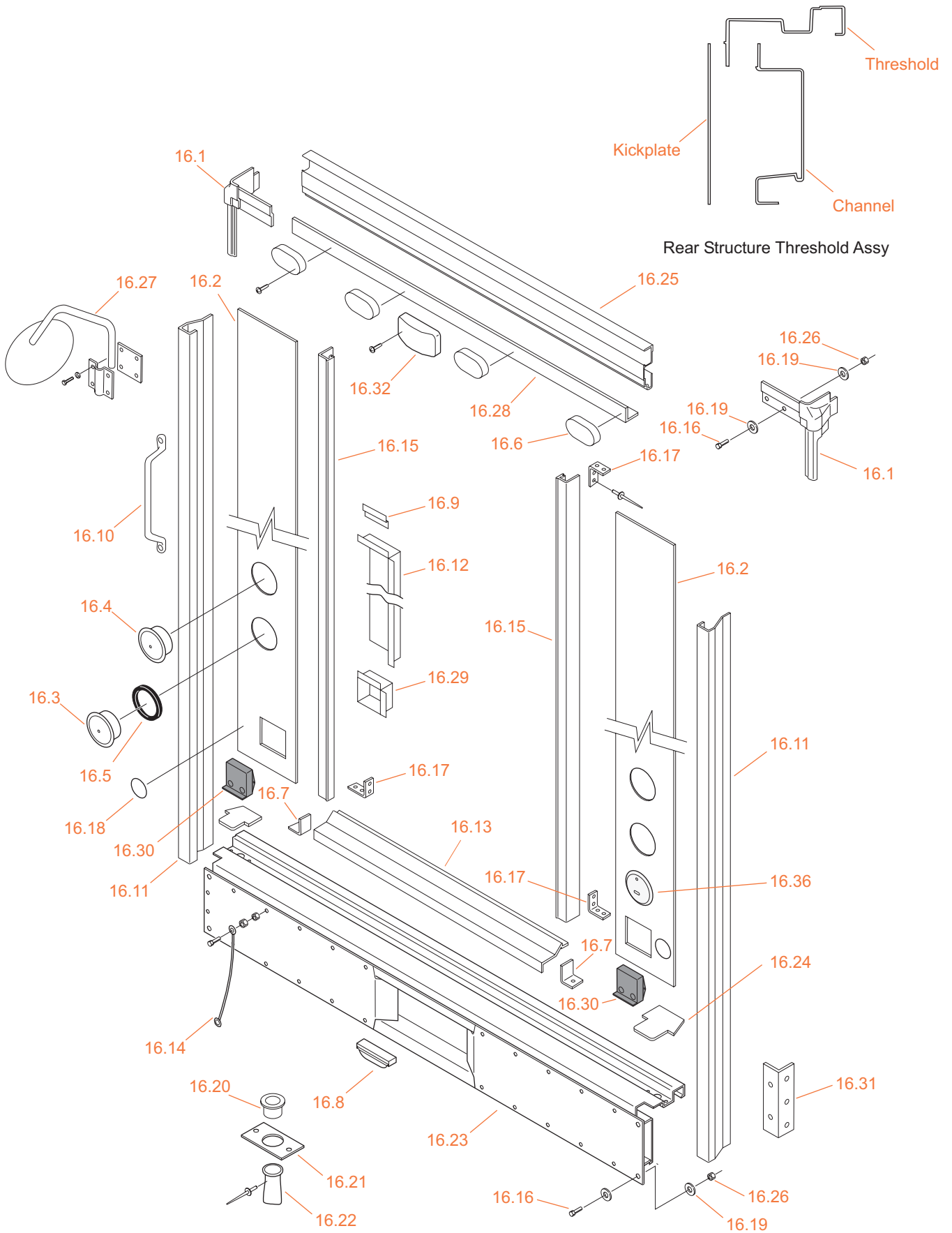
(See the Decoding Part Numbers section for Item, Part, and Description codes.)



Item	Part Number	Description
16.27	06915784	ANGLE RR STR SPRT .188 x 2 x 3.38
16.28	See Nar Swg Asy	LIGHT CNTR HI-MNTD STOP
16.Ref	55231257	RR STR S/ASY
16.Ref	06917081	GUARD INST T/HOLD FILLER
16.Ref	55230995	KAZOO DRAIN INSTAL
	See also Rear Structure—Narrow Swing Doors.	



16—Rear Structure, Narrow Roll-up Door



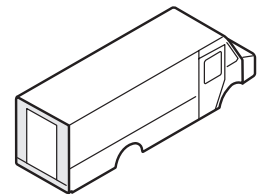
Rear Structure, Narrow Roll-up Door

Utilimaster, 65528 State Road 19, P.O. Box 585, Wakarusa, IN 46573-0585, U.S.A.

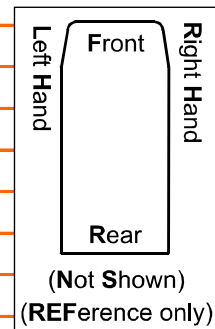
Email CustSvc@Utilimaster.com or Browse the web site www.utilimaster.com.

Call 800-237-7806 (or 574-862-3219) or Fax to 574-862-7637.

(See the Decoding Part Numbers section for Item, Part, and Description codes.)

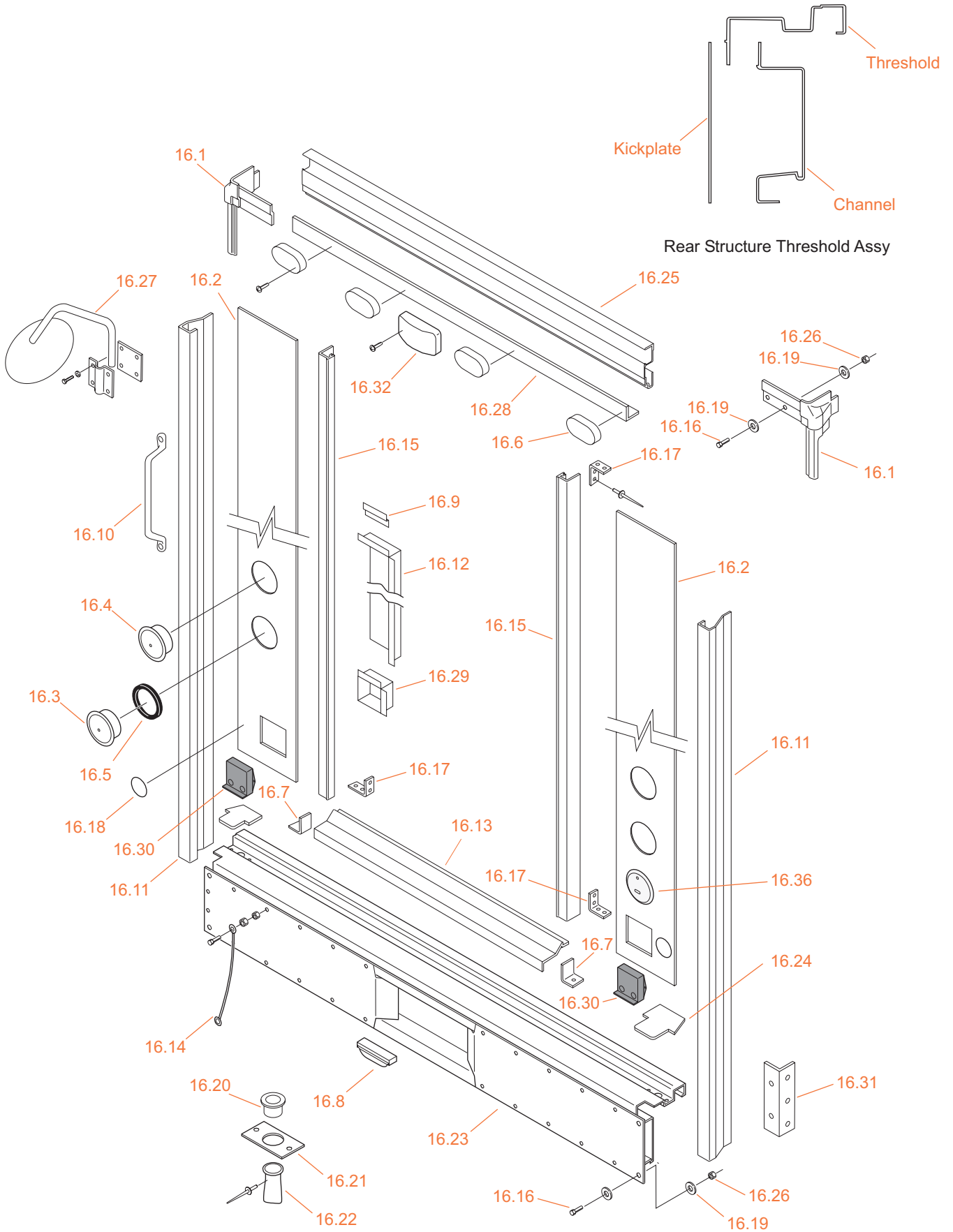


Item	Part Number	Description
16.NR		RR STR ASY NARROW ROLL-UP DOOR
16.1 LH	06800094	CASTING RR ROOF LH
16.1 RH	06800095	CASTING RR ROOF RH
16.2	Appendix 55230969	METAL, REAR STRUCTURE NARROW ROLL-UP
16.3	See Nar Swg Asy	LIGHT BACK UP
16.4	See Nar Swg Asy	LITE RED LED 4" STT W/FLG
16.5	See Nar Swg Asy	GROMMET TAILLIGHT
16.6	See Nar Swg Asy	LIGHT CLRNC RED LED
16.7 LH	06917082	IA637 ANGLE LH 1.56 06002050
16.7 RH	06917080	IA637 ANGLE RH 1.56 06002050
16.8	See Nar Swg Asy	LIGHT LICENSE PLATE
16.9	06601788	BRACKET TAILLIGHT COVER
16.10	08704347	HANDLE ALUM GRAB
16.11	06003852	IA7281 POST (SPECIFY LENGTH)
16.12	06601785	COVER TAILLIGHT 5.11 X 30.89
16.13.1	06916165-Length	THRES FILR RU 2PT (SPECIFY LENGTH)
16.13.2	06915564-Length	FILLER THOLD RU DR 1PT (SPECIFY LENGTH)
16.13.3	06014423-Length	IA8050 THRES FILR RU 06003906 (SPECIFY LENGTH)
16.14.0	10997311	SAFETY CABLE
16.14.1	11000186	BOLT HEX CAP 7/16-14 x 1.5 SS
16.14.2	11000187	NUT 7/16 SS
16.14.3	11000041	NUT LOCK WXD 7/16-14 2WAY ZN
16.15	06003882-Length	IA7739 POST NAR RU (SPECIFY LENGTH)
16.16	11600175	BOLT HEX CAP 5/16-18 x 1.5 SS
16.17 LH	06915987	ANGLE LH HLS 1.50 06002037
16.17 RH	06915988	ANGLE RH HLS 1.50 06002037
16.18	See Nar Swg Asy	REFLECTOR RED TAPE
16.19	11000160	WASHER 5/16 FLAT SS
16.20	19901120	GROMMET KAZOO DRAIN
16.21	06913511	BRKT KAZOO DRAIN .125 x 1.70 x 4.0
16.22.1	19901122	HOSE DUCK BILL
16.22.2	19901253	DRAIN RUBBER KAZOO
16.23	Appendix 55231017	KICKPLATE ASY
16.24	06502677	FILLER RR CORNER POST



Continued

16—Rear Structure, Narrow Roll-up Door (continued)



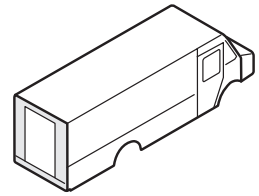
Rear Structure, Narrow Roll-up Door

Utilimaster, 65528 State Road 19, P.O. Box 585, Wakarusa, IN 46573-0585, U.S.A.

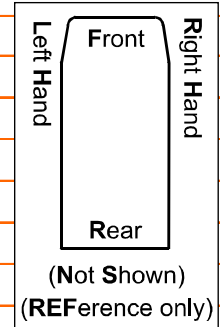
Email CustSvc@Utilimaster.com or Browse the web site www.utilimaster.com.

Call 800-237-7806 (or 574-862-3219) or Fax to 574-862-7637.

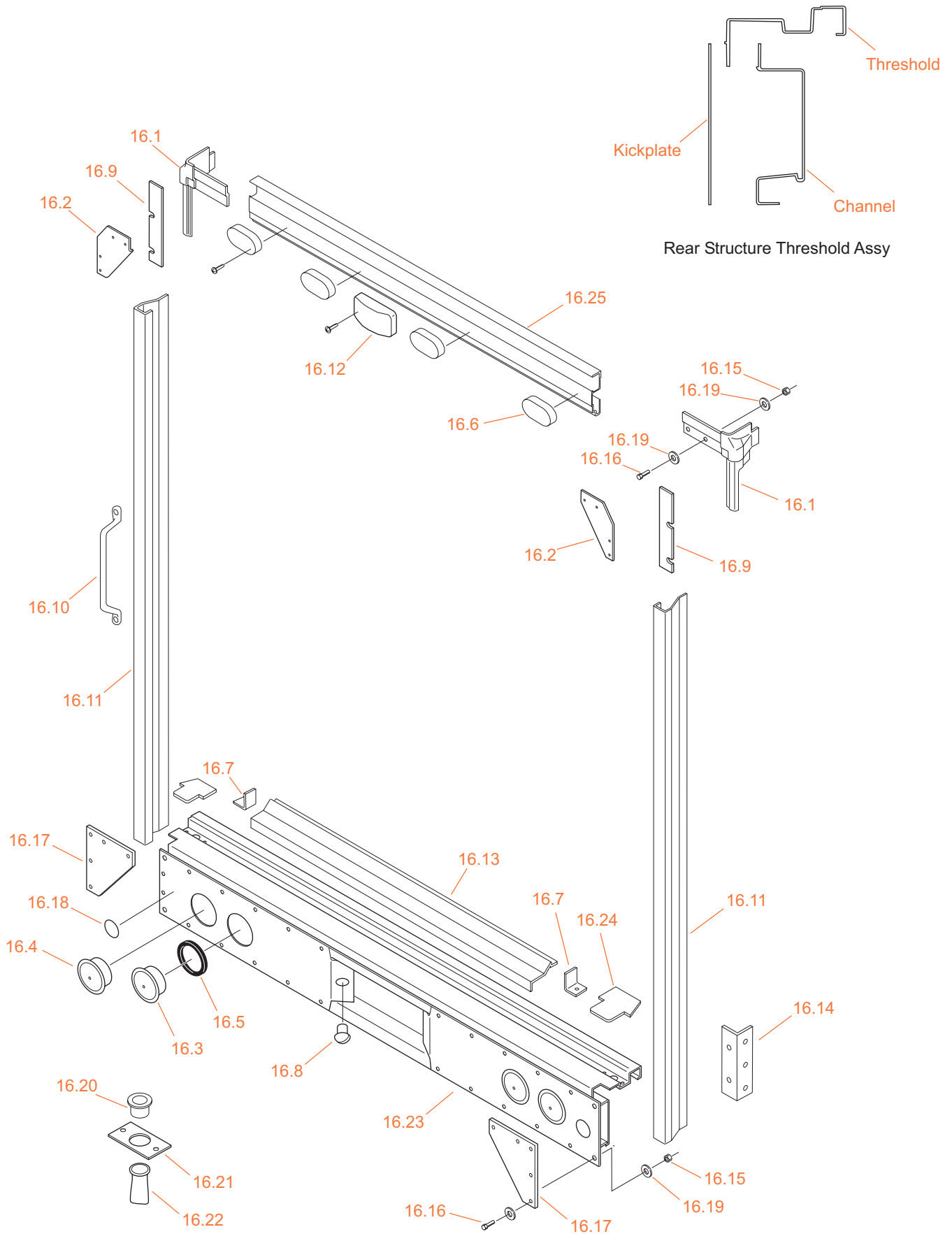
(See the Decoding Part Numbers section for Item, Part, and Description codes.)



Item	Part Number	Description
16.25	06916159	IA 7473 HDR NTC (SPECIFY UNIT WIDTH)
16.26	11000040	NUT LCK WXD 5/16-18 2W AY GR5 ZN
16.27	13301649	MIRROR 10" DIA W/BRKT SS
16.28	06916160-Length	TRIM RUDR HEADER 06003907 (SPECIFY LENGTH)
16.29	06916526	BOX WLDMT SENSOR FEDEX
16.30 LH	16512737	ECHO SENSOR LH
16.30 RH	16512736	ECHO SENSOR RH
16.31	06915784	ANGLE RR STR SPRT .188 x 2 x 3.38
16.32	See Nar Swg Asy	LIGHT CNTR HI-MNTD STOP
16.Ref	55231255	RR STR ASY 86.5W x 81H ECHO
16.Ref	55230969	RR STR ASY 40" RU 86.5 x 81 2PT
16.Ref	55231259	RR STR ASY ROLL UP 2PT ECHO
16.Ref	55231257	RR STR S/ASY
16.Ref	06917081	GUARD INST T/HOLD FILLER
16.Ref	55230995	KAZOO DRAIN INSTAL
	See also Rear Structure—Narrow Swing Doors.	



16—Rear Structure, Full Roll-up Door



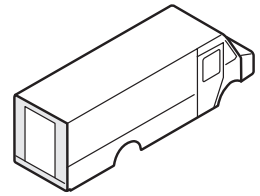
Rear Structure, Full Roll-up Door

Utilimaster, 65528 State Road 19, P.O. Box 585, Wakarusa, IN 46573-0585, U.S.A.

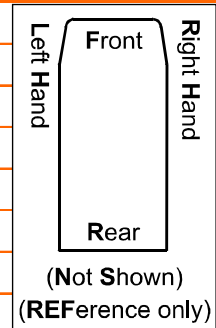
Email CustSvc@Utilimaster.com or Browse the web site www.utilimaster.com.

Call 800-237-7806 (or 574-862-3219) or Fax to 574-862-7637.

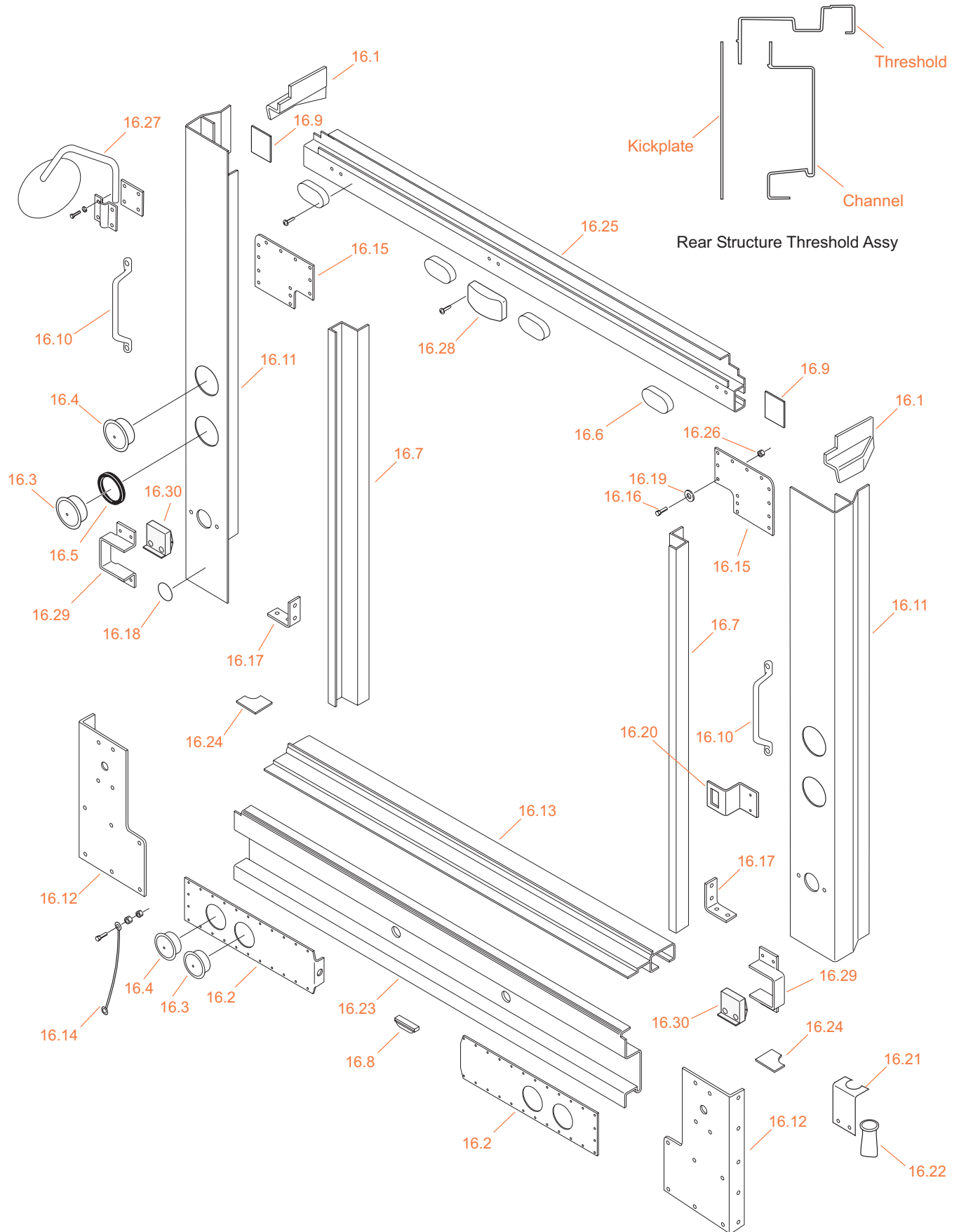
(See the Decoding Part Numbers section for Item, Part, and Description codes.)



Item	Part Number	Description
16.FR	55230970	RR STR ASY FULL ROLL-UP DOORS
16.1 LH	06800094	CASTING RR ROOF LH
16.1 RH	06800095	CASTING RR ROOF RH
16.2 LH	06915472	GUSSET RR STR UPR LH
16.2 RH	06915473	GUSSET RR STR UPR RH
16.3	See Nar Swg Asy	LIGHT BACK UP
16.4	See Nar Swg Asy	LIGHT RED 4" STOP
16.5	See Nar Swg Asy	GROMMET TAILLIGHT
16.6	See Nar Swg Asy	LIGHT CLRNC RED LED
16.7 LH	06917082	IA637 ANGLE LH 1.56 06002050
16.7 RH	06917080	IA637 ANGLE RH 1.56 06002050
16.8	See Nar Swg Asy	LIGHT LICENCE PLATE
16.9	06915504	SHIM RR STR GUSSET
16.10	08704347	HANDLE ALUM GRAB
16.11	06003852-Length	IA7281 POST (SPECIFY LENGTH)
16.12	See Nar Swg Asy	LIGHT CNTR HI-MNTD STOP
16.13	06916165-Length	THRESHLD FILLER (SPECIFY LENGTH)
16.14	06915784	ANGLE RR STR SPRT .188 x 2 x 3.38
16.15	11000040	NUT LCK WXD 5/16-18 2W AY GR5 ZN
16.16	11600175	BOLT HEX CAP 5/16-18 x 1.5 SS
16.17	06502984	GUSSET LOWER RR STR
16.18	See Nar Swg Asy	REFLECTOR RED TAPE
16.19	11000160	W ASHER 5/16 FLAT SS
16.20	19901120	GROMMET KAZOO DRAIN
16.21	06913511	BRKT KAZOO DRAIN .125 x 1.70 x 4.0
16.22.1	19901122	HOSE DUCK BILL
16.22.2	19901253	DRAIN RUBBER KAZOO
16.23	See Nar Swg Asy	KICKPLATE ASY
16.24	06502677	FILLER RR CORNER POST
16.25	06916159-Length	IA7473 HDR NTC (SPECIFY UNIT WIDTH)
16.Ref	55231257	RR STR S/ASY
16.Ref	06917081	GUARD INST T/HOLD FILLER
16.Ref	55230995	KAZOO DRAIN INSTAL
See also Rear Structure—Narrow Swing Doors.		



16—Rear Structure, Full Roll-up Door with Wide Post Option



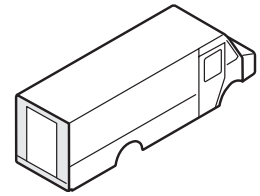
Rear Structure, Full Roll-up Door with Wide Post Option

Utilimaster, 65528 State Road 19, P.O. Box 585, Wakarusa, IN 46573-0585, U.S.A.

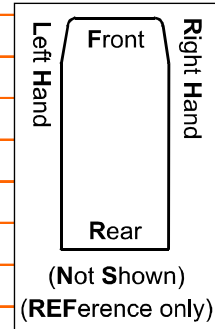
Email CustSvc@Utilimaster.com or Browse the web site www.utilimaster.com.

Call 800-237-7806 (or 574-862-3219) or Fax to 574-862-7637.

(See the Decoding Part Numbers section for Item, Part, and Description codes.)

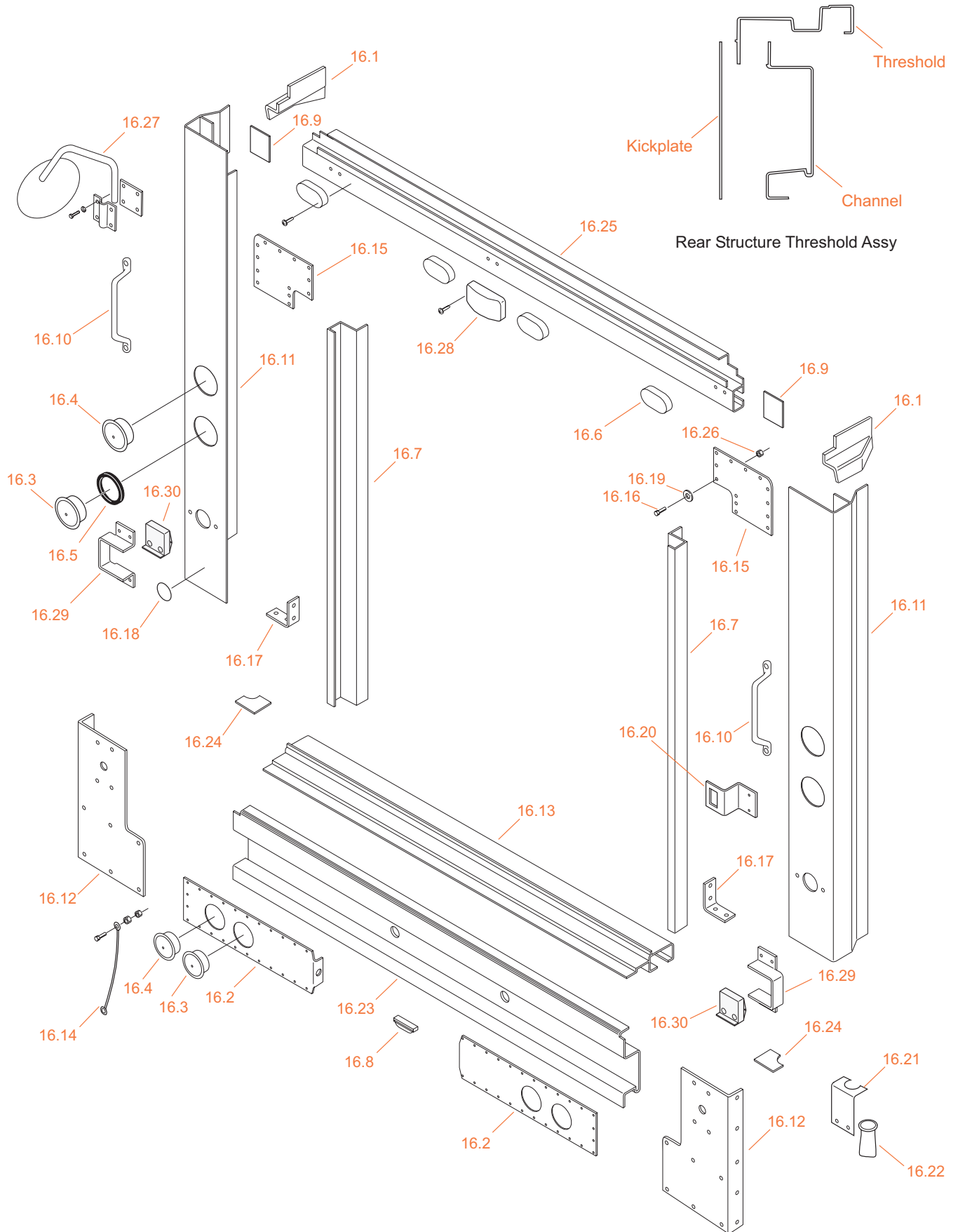


Item	Part Number	Description
16.0.1	55231324	WIDE POST REAR STRCT KP\LIGHTS
16.0.2	55231351	WIDE POST REAR STRCT CRN POST\LIGHTS
16.1 LH	06917694	CAP LH RR CORNER POST
16.1 RH	06917693	CAP RH RR CORNER POST
16.2.1	06918443-Width	K/P BLNK SEALED LIC LT (SPECIFY UNIT WIDTH)
16.2.2	06923737-CHART	K/P BLNK W\LIGHTS (SPECIFY UNIT WIDTH)
16.2.3	06918128-CHART	K/P BLNK NO LIGHTS (SPECIFY UNIT WIDTH)
16.3	See Nar Swg Asy	LIGHT BACK UP
16.4	See Nar Swg Asy	LITE RED 4" STT
16.5	See Nar Swg Asy	GROMMET TAILLIGHT
16.6	See Nar Swg Asy	LIGHT CLRNC RED
16.7	06003916-Length	IA8592 POST NAR RU 06003916 (SPECIFY LENGTH)
16.8	See Nar Swg Asy	LIGHT LICENSE PLATE
16.9	06917764	ALUM .125 X 3.06 X 3.06
16.10	08704347	HANDLE ALUM GRAB
16.11 .0	06003913-Length	IA8593 RR CRNR POST 06003913 (SPECIFY LENGTH)
16.11.1 LH	06923733-CHART	IA8593 RR CRNR POST 06003913 (SPECIFY UNIT SIZE)
16.11.1 RH	06923734-CHART	IA8593 RR CRNR POST 06003913 (SPECIFY UNIT SIZE)
16.11.2 LH	06919354-CHART	IA8593 RR CRNR POST 06003913 W\LIGHTS (SPECIFY UNIT SIZE)
16.11.2 RH	06919353-CHART	IA8593 RR CRNR POST 06003913 W\LIGHTS (SPECIFY UNIT SIZE)
16.12 LH	06918121	GUARD REAR CORNER LH WIDE POST
16.12 RH	06918122	GUARD REAR CORNER RH WIDE POST
16.13	06918126-Width	T/HOLD NTCH 2PT 06003920 (SPECIFY UNIT SIZE)
16.14.0	10997311	CABLE PLASTIC CVRD 10"
16.14.1	11000186	BOLT HEX CAP 7/16-14 x 1.5 SS
16.14.2	11000187	NUT 7/16 SS
16.14.3	11000041	NUT LOCK WXD 7/16-14 2WAY
16.15.1	06920187	PLATE UPR CRNR RR REINF
16.15.2	06924623	PLATE REINF WD POST RR STR UPR COR
16.16	11004442	BOLT HEX 5/16-18 x 1
16.17	06002047-00200	IA4114 ANGLE 2.00 6002047
16.18	See Nar Swg Asy	REFLECTOR RED TAPE
16.19	11008417	WASHER 5/16 FLAT
16.20	06917783	MOUNTING BRACKET, CARGO LIGHT SWITCH
16.21	06919447	BRACKET DRAIN VALVE WIDE POST



Continued

16—Rear Structure, Full Roll-up Door with Wide Post Option (continued)



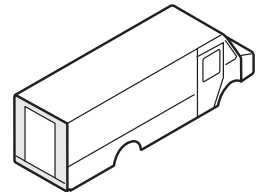
Rear Structure, Full Roll-up Door with Wide Post Option

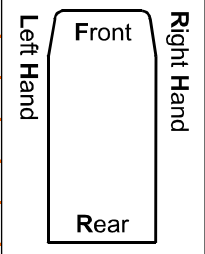
Utilimaster, 65528 State Road 19, P.O. Box 585, Wakarusa, IN 46573-0585, U.S.A.

Email CustSvc@Utilimaster.com or Browse the web site www.utilimaster.com.

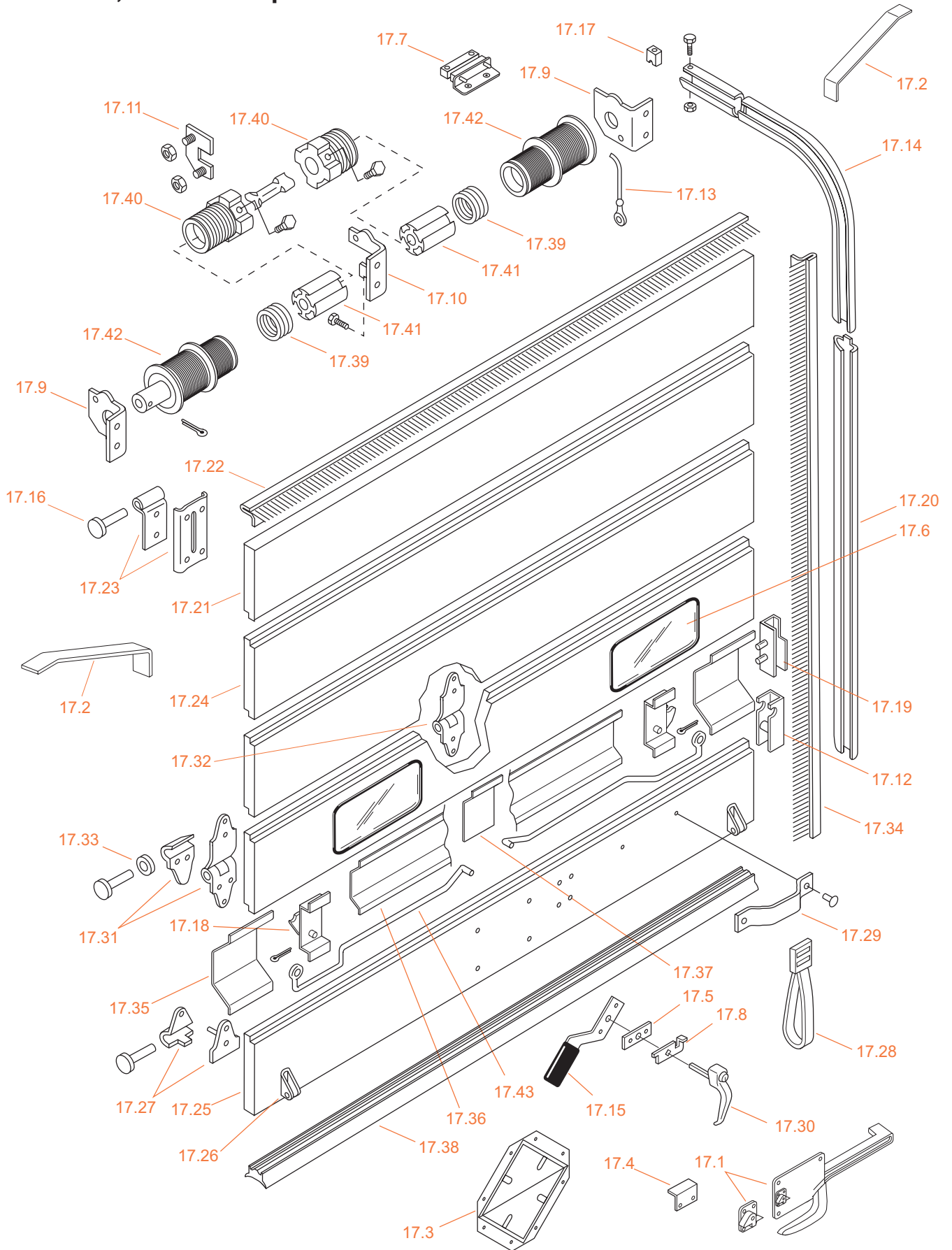
Call 800-237-7806 (or 574-862-3219) or Fax to 574-862-7637.

(See the Decoding Part Numbers section for Item, Part, and Description codes.)



Item	Part Number	Description	
16.22	19800956	VALVE DUCK BILL 077783000	<div style="border: 1px solid black; padding: 5px; text-align: center;"> <p>Left Hand Front Right Hand</p>  <p>Rear</p> <p>(Not Shown) (REFerence only)</p> </div>
16.23	06918127	K/PLT CHNL NTC 06003919	
16.24	06917864	FILLER REAR STRUCT WIDE POST	
16.25.1	06919258-CHART	HDR RR STR 06003918 (SPECIFY UNIT SIZE)	
16.25.2	06917684	HEADER REAR 78.00 06003918	
16.25.3	06918125-CHART	HEADER REAR 06003918 (SPECIFY UNIT SIZE)	
16.26	11000040	NUT LCK WXD 5/16-18 2WAY GR5 ZN	
16.27	13301649	MIRROR 10" DIA W/BRKT SS	
16.28	See Nar Swg Asy	LIGHT CNTR HI-MNTD STOP	
16.29 LH	06918476	GUARD ECHOVISION LH	
16.29 RH	06918477	GUARD ECHOVISION RH	
16.30 LH	16512737	MODULE ECHOVISION LH SENSOR	
16.30 RH	16512736	MODULE ECHOVISION RH SENSOR	
16.Ref	55231230	KAZOO DRAIN INSTAL	
	See also Rear Structure—Narrow Swing Doors.		

17—Door, Rear Roll-up



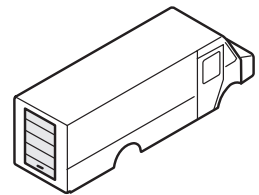
Door, Rear Roll-up

Utilimaster, 65528 State Road 19, P.O. Box 585, Wakarusa, IN 46573-0585, U.S.A.

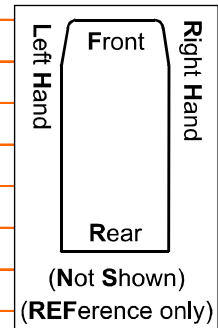
Email CustSvc@Utilimaster.com or Browse the web site www.utilimaster.com.

Call 800-237-7806 (or 574-862-3219) or Fax to 574-862-7637.

(See the Decoding Part Numbers section for Item, Part, and Description codes.)

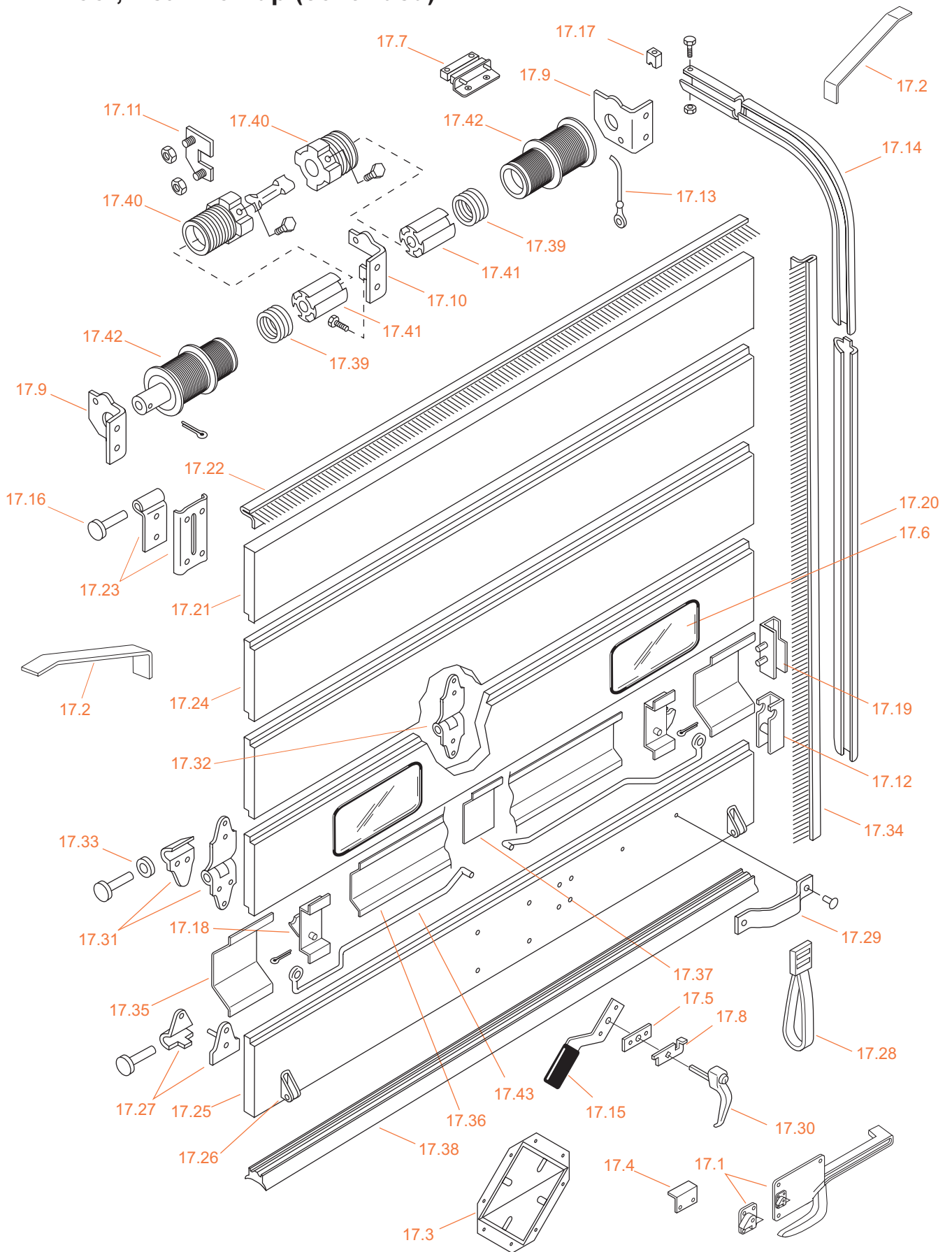


Item	Part Number	Description
17.0	DSNR	REAR ROLL-UP DOOR
17.1	DSNR	MASTER SECURITY (BANANA) LOCK
17.2	06915566	GUSSET NARROW RU DOORS
17.3.1	03101840	PLACARD HAZMAT SPLIT
17.3.2	03101864	PLACARD HAZMAT SPLIT
17.3.3	03101871	PLACARD HAZMAT SPLIT
17.3.4	11401221	RIVET FW 3/16 x 1/4-1/2
17.4.1	22813833	CATCH ASSY RU DR MSL #30-36
17.4.2	22814361	CATCH ASSY RU DR MSL WIDE POST OPT
17.5	DSNR	BOTTOM PLATE
17.6.1	09080405	GLASS 8" x 19" x .219 RAD R-UP DOOR
17.6.2	09080444	GLASS 1/4 x 17-5/8 x 11-5/8
17.6.3	09801338	GLASS 9 x 22 x .219 RAD RU DR
17.6.4	20600021	WINDOW CUTOUT WITH GASKET
17.6.5	05705480	RUBBER RU DR WDO 9 x 22
17.7.1	16511341	SWTCH MGNTC SW DR AJAR
17.7.2	16511398	SWITCH MAGNETIC ACTUATOR FL/A
17.8	DSNR	ACTUATOR
17.9 LH	DSNR	BALANCER BRACKET LH
17.9 RH	DSNR	BALANCER BRACKET RH
17.10	DSNR	BALANCER BRACKET CENTER
17.11	DSNR	BALANCER BRACKET CLAMP (CENTER)
17.12	DSNR	LATCH PLATE
17.13	DSNR	STAINLESS STEEL CABLE
17.14	DSNR	HORIZONTAL TRACK
17.15	DSNR	HANDLE, INTERIOR WITH PLASTIC GRIP
17.16	DSNR	2" STEEL ROLLERS
17.17	DSNR	2" TRACK STOP BUMPER
17.18 LH	DSNR	LATCH ASSY LH
17.18 RH	DSNR	LATCH ASSY RH
17.19 LH	DSNR	LATCH PLATE MOUNT LH
17.19 RH	DSNR	LATCH PLATE MOUNT RH
17.20	DSNR	VERTICAL TRACK AND MOUNTING ANGLE
17.21	DSNR	TOP PANEL ASSY



Continued

17—Door, Rear Roll-up (continued)



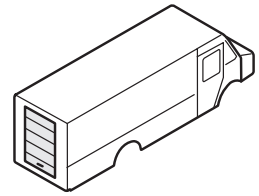
Door, Rear Roll-up

Utilimaster, 65528 State Road 19, P.O. Box 585, Wakarusa, IN 46573-0585, U.S.A.

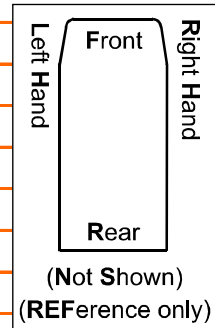
Email CustSvc@Utilimaster.com or Browse the web site www.utilimaster.com.

Call 800-237-7806 (or 574-862-3219) or Fax to 574-862-7637.

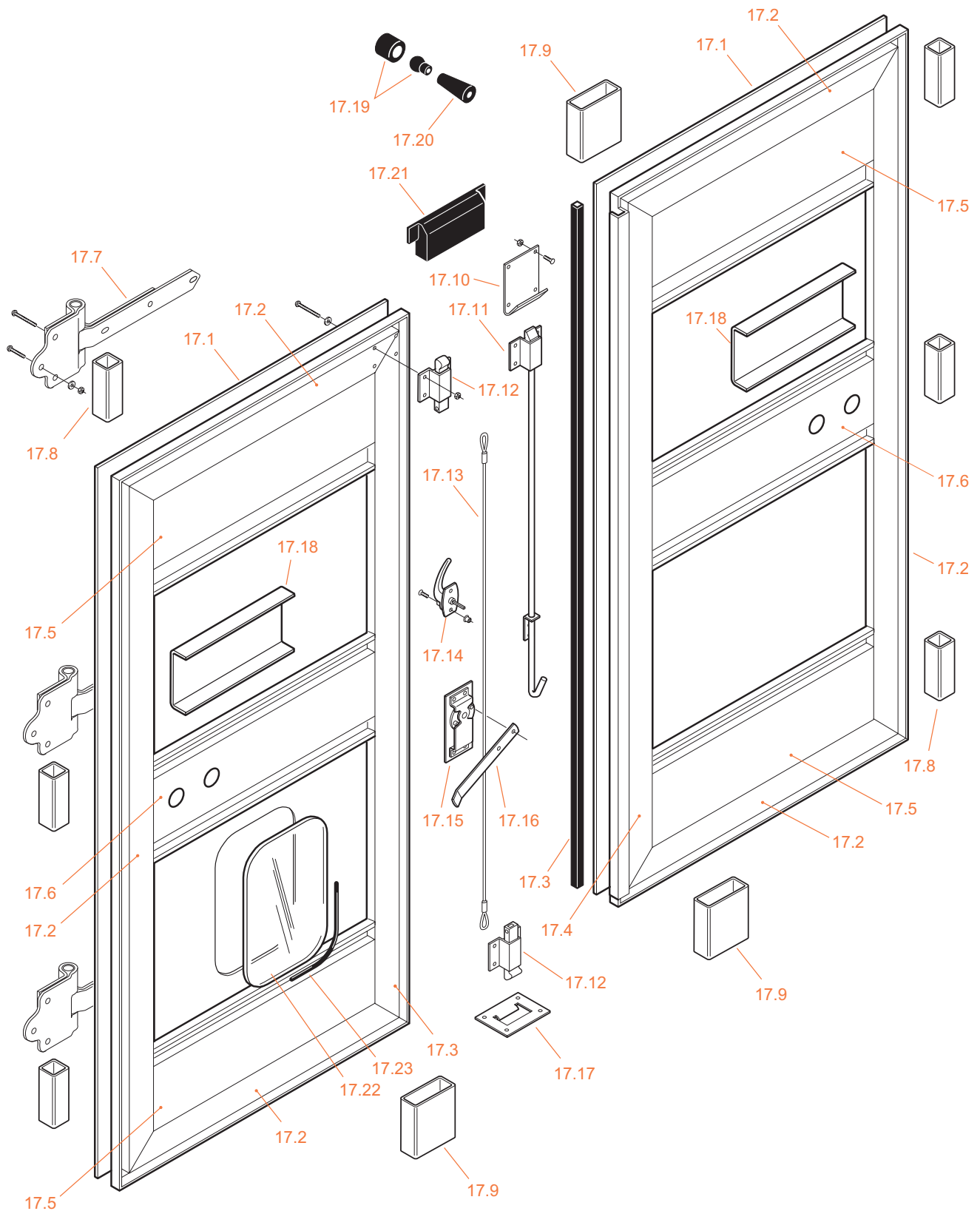
(See the Decoding Part Numbers section for Item, Part, and Description codes.)



Item	Part Number	Description
17.22	DSNR	DOOR TOP BRUSH SEAL
17.23	DSNR	TOP CLOSURE ASSEMBLY
17.24.1	DSNR	INTERMEDIATE PANEL
17.24.2	DSNR	INTERMEDIATE PANEL
17.25	DSNR	BOTTOM PANEL ASSEMBLY
17.26	DSNR	CABLE ANCHORS
17.27	DSNR	BOTTOM ROLLER BRACKET ASSEMBLY
17.28	DSNR	PULL STRAP
17.29	DSNR	GRAB HANDLE
17.30	DSNR	HANDLE, EXTERIOR
17.31.0	DSNR	ROLLER HINGE ASSEMBLY
17.31.1	DSNR	GASKET, ROLLER HINGE
17.32.0	DSNR	CENTER HINGE
17.32.1	DSNR	GASKET, ROLLER HINGE
17.33	DSNR	SPACER, WASHER (FOR ROLLERS)
17.34	DSNR	SIDE BRUSH SEAL
17.35	DSNR	LATCH COVER
17.36	DSNR	COVER ASSY, LOCK PANEL
17.37.0	DSNR	PLATE ASSY
17.37.1	DSNR	PIN, ACTUATOR
17.38	DSNR	LOWER DOOR SEAL
17.39	DSNR	TORSION SPRING WOUND
17.40	DSNR	CABLE DRUM BEARING ASSEMBLY
17.41	DSNR	SPRING SPACER
17.42	DSNR	WINDING CONE
17.43	DSNR	LOCK ROD
17.NS	10997310	QUICK RELEASE MECHANISM
17.NS	10997311	SAFETY CABLE QUICK RELEASE MECHANISM
		See also Section 16 and the <i>Utilimaster Quick Reference Parts Guide</i> .



17—Doors, Rear Swing



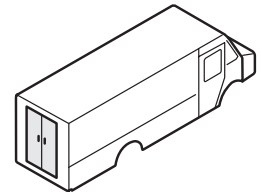
Door, Rear Swing

Utilimaster, 65528 State Road 19, P.O. Box 585, Wakarusa, IN 46573-0585, U.S.A.

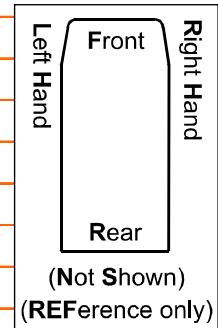
Email CustSvc@Utilimaster.com or Browse the web site www.utilimaster.com.

Call 800-237-7806 (or 574-862-3219) or Fax to 574-862-7637.

(See the Decoding Part Numbers section for Item, Part, and Description codes.)

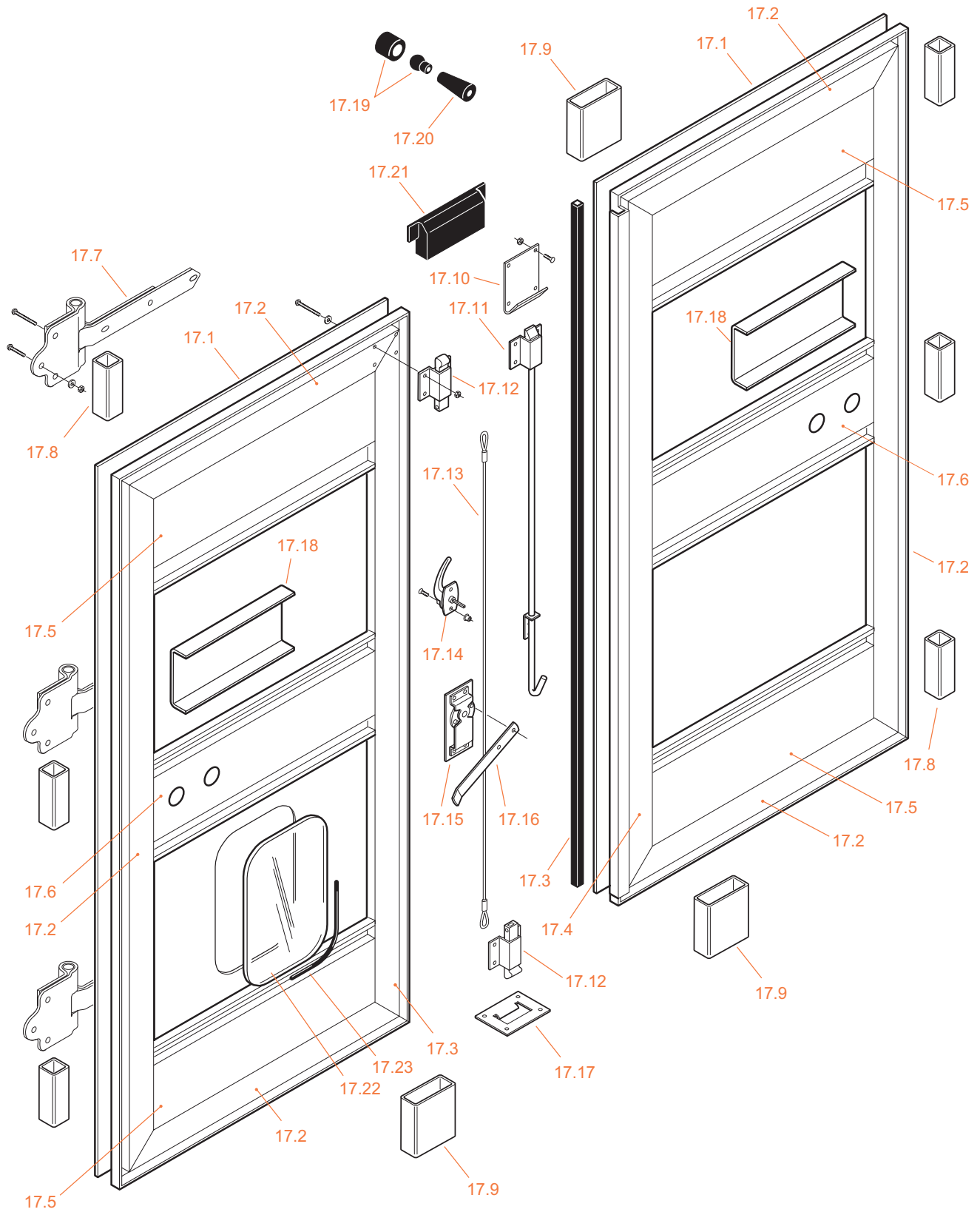


Item	Part Number	Description
17.0		REAR SWING DOORS FULL AND QTR FOLD
17.1.1 LH	06502866-CHART	METAL, REAR SWING DOOR LH (SPECIFY SIZE)
17.1.1 RH	06502867-CHART	METAL, REAR SWING DOOR RH (SPECIFY SIZE)
17.1.2 LH	06502966-CHART	METAL, RR DR LH SW G W\ 1 W DW (SPECIFY SIZE)
17.1.2 RH	06502967-CHART	METAL, RR DR RH SW G W\ 1 W DW (SPECIFY SIZE)
17.1.3 LH	06502968-CHART	METAL, RR DR LH SW G W\ 2 W DW (SPECIFY SIZE)
17.1.3 RH	06502969-CHART	METAL, RR DR RH SW G W\ 2 W DW (SPECIFY SIZE)
17.1.4 LH	BSNR	METAL, RR DR LH BFLD (SPECIFY SIZE)
17.1.4 RH	06502970-CHART	METAL, RR DR RH BFLD (SPECIFY SIZE)
17.1.5 LH	06502971-CHART	MTL RRDR LH BFLD W\ 1 W DW (SPECIFY SIZE)
17.1.5 RH	06502972-CHART	MTL RRDR RH BFLD W\ 1 W DW (SPECIFY SIZE)
17.1.6 LH	06502973-CHART	METAL, RRDR LH BFLD W\ 2 W DW (SPECIFY SIZE)
17.1.6 RH	06502974-CHART	METAL, RRDR RH BFLD W\ 2 W DW (SPECIFY SIZE)
17.2	06012400-Length	IA 7932 SIDE DR *BE 06003897 (SPECIFY LENGTH)
17.3	05402183	SEAL "D" .375 x .625
17.4	06012490-Length	IA 7931 SIDE DR *BE 06003896 (SPECIFY LENGTH)
17.5.1	06601630-CHART	STIFFNR UP LW DR SW G (SPECIFY SIZE)
17.5.2	06601718-CHART	STFNR UPR LWR BIFOLD (SPECIFY SIZE)
17.6.1	06601629-CHART	STIFFNR DR CNTR SW G (SPECIFY SIZE)
17.6.2	06601717-CHART	STFNR DR CNTR BIFOLD (SPECIFY SIZE)
17.7	BSNR	HINGE
17.8	06000125-00300	BACKER, HINGE 1" SQ TUBE IAH122 3.00
17.9	06000718-00300	BACKER, HARDWARE IAH1746 TUB 3.00 06000718
17.10.1	22101544	PLATE UPPER STRIKE 6.00
17.10.2	22101973	PLATE UPPER STRIKE BIFOLD 3.00
17.11.1	BSNR	DEADBOLT
17.11.2	08706093	ROD GUIDE ZINC
17.11.3	08610024	LATCH FINGER PULL W\ 32" ROD
17.11.4	08700004	ROD 36" W\ FINGER PULL
17.12	BSNR	SLAM LOCK
17.13	BSNR	CABLE
17.14	BSNR	HANDLE, EXTERIOR
17.15	BSNR	MECHANISM
17.16	08704374	HANDLE INSIDE
17.17	22101882	PLATE LWR STRIKER



Continued

17—Doors, Rear Swing (continued)



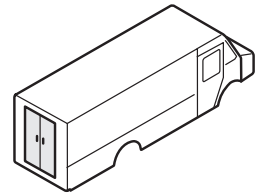
Door, Rear Swing

Utilimaster, 65528 State Road 19, P.O. Box 585, Wakarusa, IN 46573-0585, U.S.A.

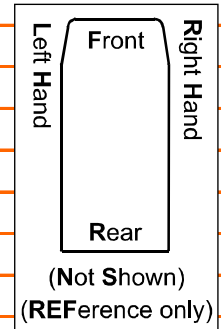
Email CustSvc@Utilimaster.com or Browse the web site www.utilimaster.com.

Call 800-237-7806 (or 574-862-3219) or Fax to 574-862-7637.

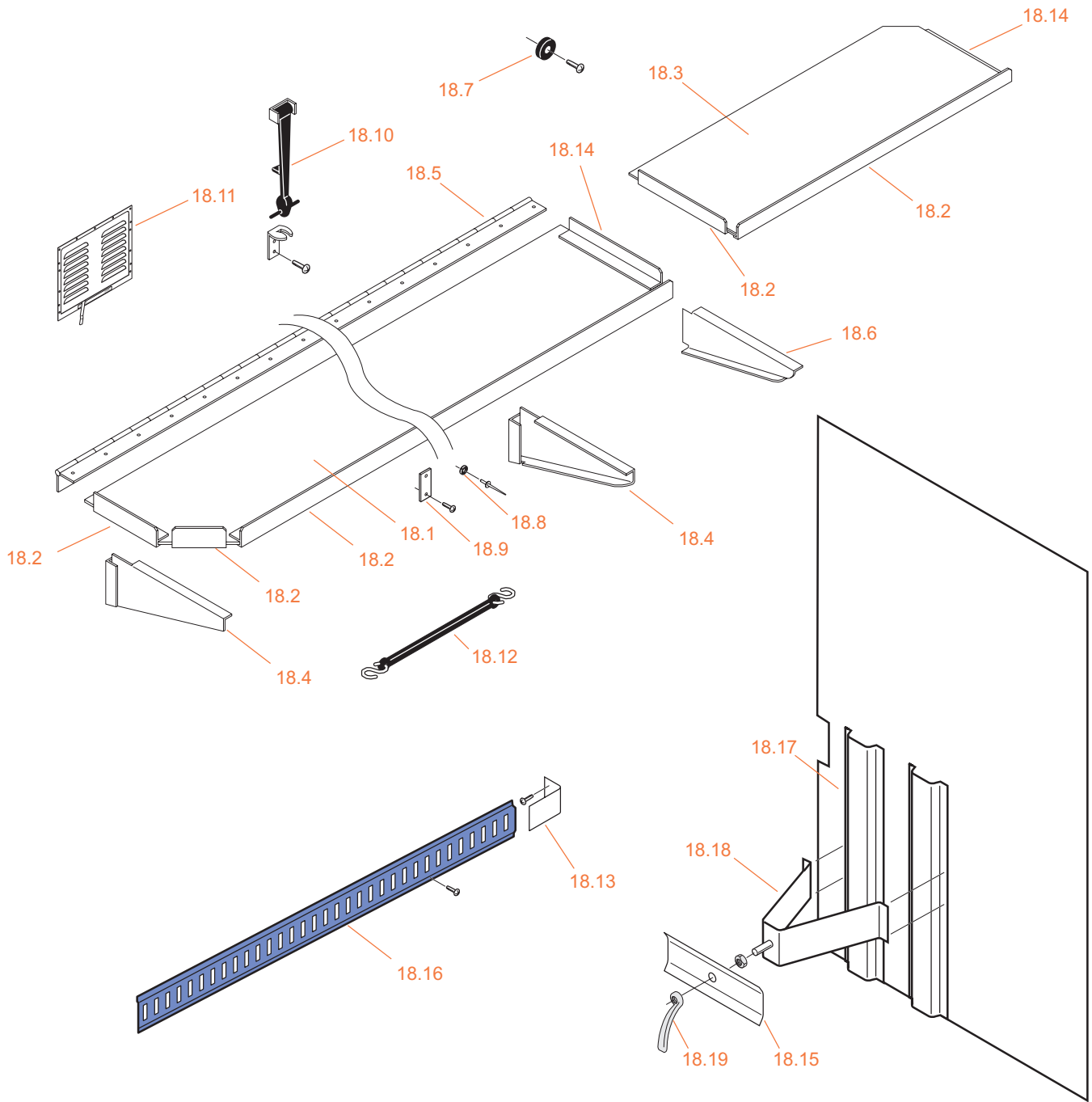
(See the Decoding Part Numbers section for Item, Part, and Description codes.)



Item	Part Number	Description
17.18	06601705-Length	BACKER HINGE LATCH (SPECIFY LENGTH)
17.19	BSNR	SOCKET AND PLUNGER
17.20	BSNR	PLUNGER EXTENTION
17.21	20510346	COV RR SWG DR LATCH ABS ALL
17.22	09080444	GLASS 1/4 x 17-5/8 x 11-5/8 TMPRD
17.23.1	05402073	WINDOW RUBBER 1/8
17.23.2	05402074	WINDOW RUBBER 3/32
17.Ref	57231632	DR ASY LH RR CHART
17.Ref	57231633	DR ASY RH RR CHART
17.Ref	55231061	RR SWG DR LATCH COV INSTL #30-36



18—Cargo Shelving Option, Fold-up



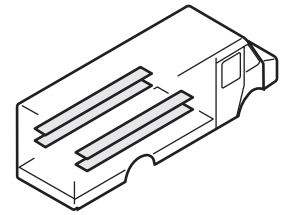
Cargo Shelving Option, Fold-up

Utilimaster, 65528 State Road 19, P.O. Box 585, Wakarusa, IN 46573-0585, U.S.A.

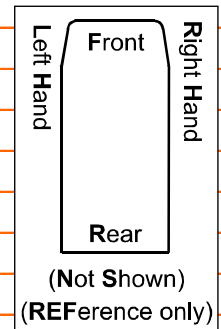
Email CustSvc@Utilimaster.com or Browse the web site www.utilimaster.com.

Call 800-237-7806 (or 574-862-3219) or Fax to 574-862-7637.

(See the Decoding Part Numbers section for Item, Part, and Description codes.)

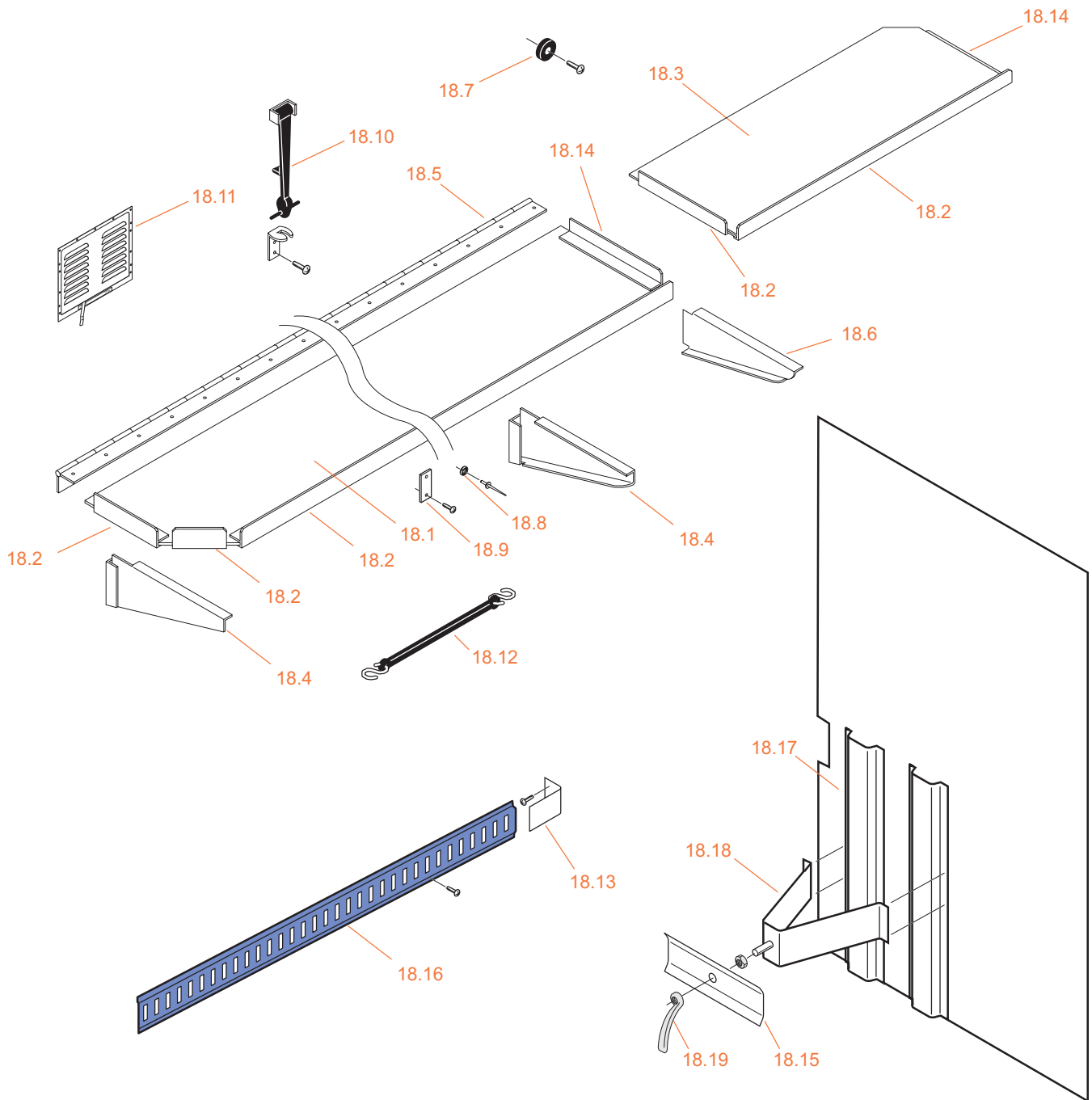


Item	Part Number	Description
18.0		INSTALL SHELF LH FOLDING
18.1	06920482-CHART	SHELF METAL 20" FOLDUP LH .100 (SPECIFY SIZE)
18.2	06914703-Length	SHELF EDGE RBE 06013053 (SPECIFY LENGTH)
18.3.1 RH	06920847	SHLF RH STAT DR PKT 17.06 x 39.19 .100 ALUM
18.3.2 RH	06914698	SHELF FIXED RH DR PCKT 20"
18.4.1 LH	06630773	GUSSET WELDMT LH 17.13
18.4.1 RH	06630763	GUSSET WELDMT RH 17.13
18.4.2 LH	06914669	GUSSET WLDMT LH 20" SHELF
18.4.2 RH	06914668	GUSSET WLDMT RH 20" SHELF
18.4.3 LH	06911250	GUSSET WLDMT LH 9.19"
18.4.3 RH	06911251	GUSSET WLDMT RH 9.19"
18.4.4 LH	06911496	GUSSET WLDMT RS 7x10.81
18.4.4 RH	06911486	GUSSET WLDMT CS 7x10.81
18.4.5 LH	06913095	GUSSET WLDMT LH STAT 17.13"
18.4.5 RH	06913094	GUSSET WLDMT RH STAT 17.13"
18.5	08610280-Length	PIANO HINGE STL .125 x 2 x 2 x (SPECIFY LENGTH)
18.6.1 LH	06914667	GUSSET LH DR PKT 20" SHELF
18.6.1 RH	06914666	GUSSET RH DR PKT 20" SHELF
18.6.2 RH	06914662	GUSSET RH DR PKT 24" SHELF
18.7	08210016	STOP RUBBER
18.8.0	13672282	DUAL LOCK FSTNR 1.12 RND
18.8.1	11400019	BLIND RIVET
18.9.0	20510269	PAD WEAR UHMW .25 x 1.5 x 3.50 HLS
18.9.1	11300249	10-24 x 1 W AFER TEK ZINC PH
18.10	08700114	LATCH FLEX DRAW
18.11.1	07200278	VENTILATOR ALUM 10 x 12
18.11.2	07200275	VENT ALUM LOUVER ONLY
18.11.3	03102154	DECAL BUTTERFLY VENT OPEN/CLOSED
18.12.1	08610265	STRAP RUBBER TARP 15"
18.12.2	08780104	STRAP RUBBER TARP 20"
18.12.3	11600020	HOOK "S"
18.13	06918173	BRACKET E-TRACK MOUNTING .125
18.14	06002050-Length	IA 637 ANGLE 06002050 (SPECIFY LENGTH)
18.15	01902194	SPARE TIRE RETAINER DUAL 30-36



Continued

18—Cargo Shelving Option, Fold-up (continued)



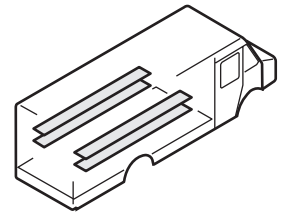
Cargo Shelving Option, Fold-up

Utilimaster, 65528 State Road 19, P.O. Box 585, Wakarusa, IN 46573-0585, U.S.A.

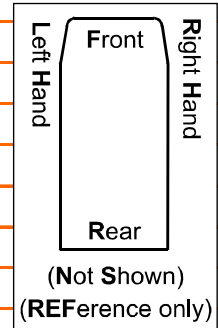
Email CustSvc@Utilimaster.com or **Browse** the web site www.utilimaster.com.

Call 800-237-7806 (or 574-862-3219) or **Fax** to 574-862-7637.

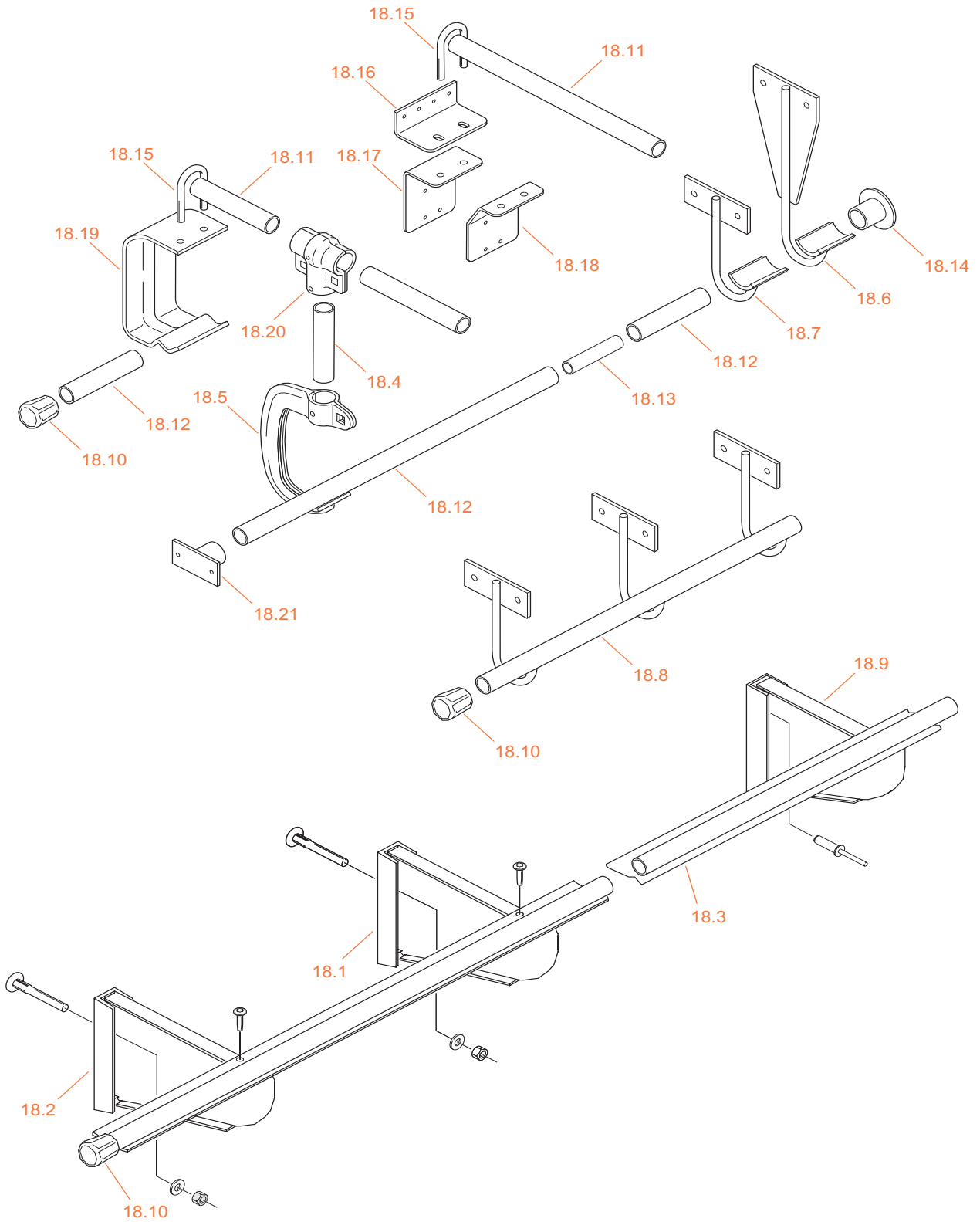
(See the Decoding Part Numbers section for Item, Part, and Description codes.)



Item	Part Number	Description
18.16.1	08610506	E-TRACK NO HLS GALVANIZED 10'
18.16.2	08610547-19600	TRACK GALV "E" R-FORM 196.00
18.16.3	08610469-Length	TRACK HORIZ"A" (SPECIFY LENGTH) ALUM
18.16.4	08610924	E-TRACK STEEL 83.12
18.17	06920497	RUB RAIL W/RAD&HLS 28.00 06000142
18.18	01902114	BRACKET TIRE CARRIER ASSY DUAL
18.19	11600880	NUT IRON HANDLE 1/2-13
18.NS	08610603-CHART	BAR E-TRACK LOAD (SPECIFY SIZE)
18.NS	12303707	TAPE VINYL 1" WHITE
18.NS	08610875-CHART	BAR F-TRACK SHORING LOAD
18.Ref	53234654	INSTALL LINER E-TRACK
18.Ref	53234543	INSTALL E-TRACK CHART
18.Ref	64236885	INSTALL OPEN/CLOSED DECAL
18.Ref	53233154	SHELF ASY 20" FOLDING LH 14'
18.Ref	53233153	SHELF ASY 20" FOLDING RH 14'
18.Ref	53234553	SHELF ASSY LH FLDG 19'L
18.Ref	53234554	SHELF ASSY RH FLDG 19'L
18.Ref	53234463	SHELF ASY LH BOT DR PCKT STAT
18.Ref	53234457	SHELF ASY LH DR PCKT STAT
18.Ref	53234458	SHELF ASY RH DR PCKT STAT



18—Cargo Shelving Option, Laundry Racks



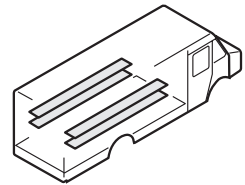
Cargo Shelving Option, Laundry Racks

Utilimaster, 65528 State Road 19, P.O. Box 585, Wakarusa, IN 46573-0585, U.S.A.

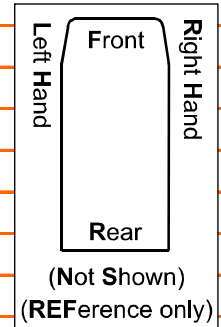
Email CustSvc@Utilimaster.com or Browse the web site www.utilimaster.com.

Call 800-237-7806 (or 574-862-3219) or Fax to 574-862-7637.

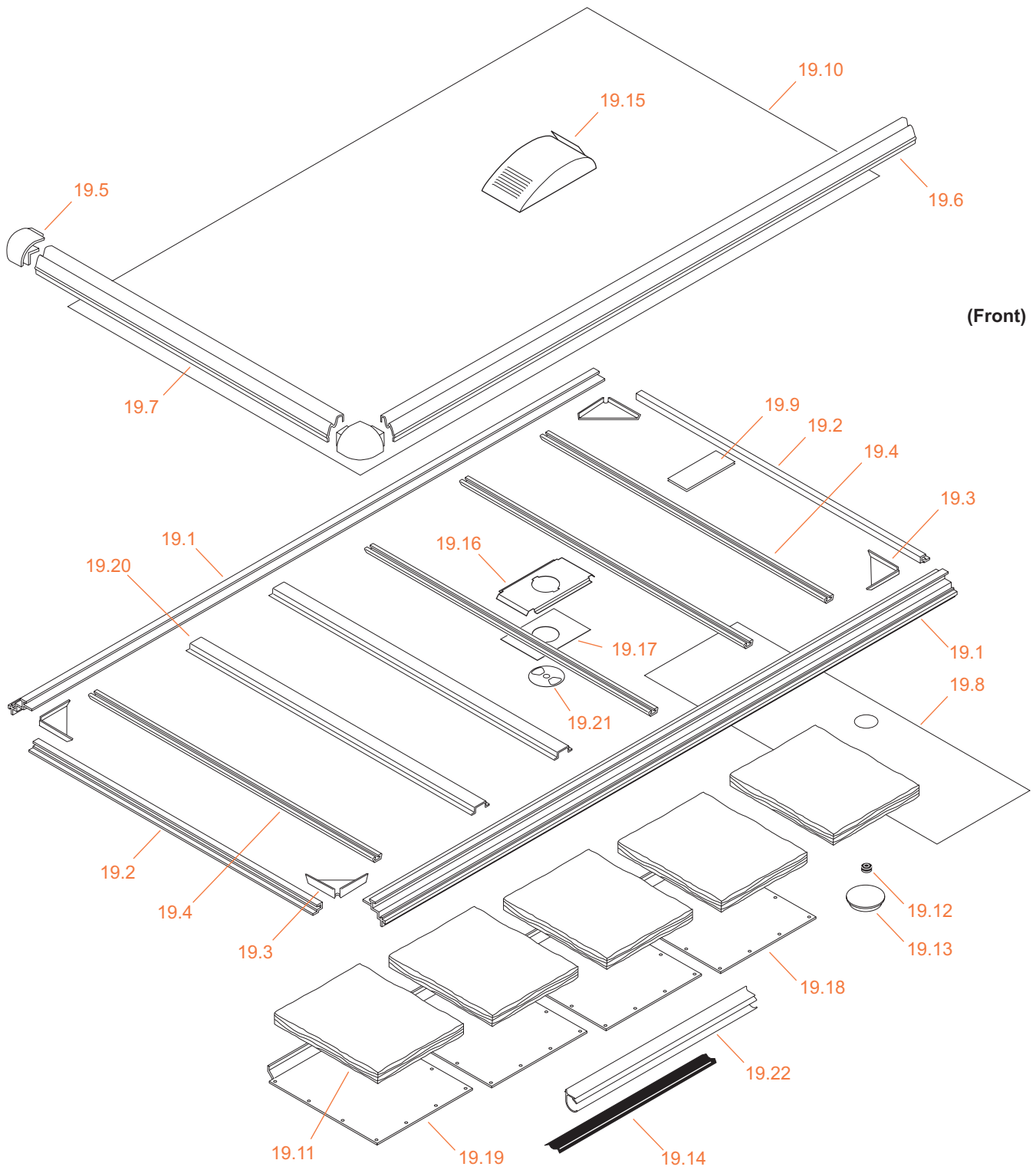
(See the Decoding Part Numbers section for Item, Part, and Description codes.)



Item	Part Number	Description
18.0		LAUNDRY RACKS
18.1 LH	06916792	GUSSET WLDMT LH 8.51 (TO SIDEWALL)
18.1 RH	06916793	GUSSET WLDMT RH 8.51 (TO SIDEWALL)
18.2 LH	06911496	GUSSET WLDMT 7 x 10.81 (TO DOOR POCKET)
18.2 RH	06911486	GUSSET WLDMT 7 x 10.81 (TO DOOR POCKET)
18.3	22813942	RACK WLDMT LAUNDRY (SPECIFY LENGTH)
18.4	19901266	TUBING BRIGHT ZINC 1.05 OD (SPECIFY LENGTH)
18.5	08610916	HANGER DROP LAUNDRY BAR
18.6 LH	22814951	WELDMENT J HOOK LH 10.62
18.6 RH	22814952	WELDMENT J HOOK RH 10.62
18.7 LH	22814943	WELDMENT J HOOK LH 5.13
18.7 RH	22814949	WELDMENT J HOOK RH 5.13
18.8 LH	21310734-18500	RACK LAUNDRY WELDMT LH 185"
18.8 RH	21310733-18500	RACK LAUNDRY WELDMT RH 185"
18.9 LH	06911250	GUSSET WLDMT LH 9.19" (TO DOOR POCKET STIFFENER)
18.9 RH	06911251	GUSSET WLDMT RH 9.19" (TO DOOR POCKET STIFFENER)
18.10	08700573	TIP BUMPER (L/PIPE)
18.11	19901268-Length	TUBING BRIGHT ZINC 1.66 OD (SPECIFY LENGTH)
18.12	19901267-Length	TUBING BRIGHT ZINC 1.31 OD (SPECIFY LENGTH)
18.13	19901272	INSERT 1.31 O.D. TUBING
18.14	22815093	STOP WLDMT END LAUNDRY PIPE
18.15.1	08611019	BOLT-U .31 x 1.75 x 2.25
18.15.2	11000805	NUT HEX 5/16-18 ZINC
18.15.3	11000076	NUT ACORN 5/16-18
18.16	06921869	BRACKET CROSS BAR UPPER
18.17	06921870	BRACKET CROSS BAR LOWER
18.18	06921871	BRACKET CROSS BAR
18.19	08610918	HANGER LAUNDRY BAR
18.20	08610917	CLAMP DROP LAUNDRY BAR (2) PARTS
18.21	22815514	BRKT WLDMT LAUNDRY PIPE
18.NS	06003909-04800	STUD FILLER FOR IA6964 IA8122
18.Ref	53234635	RACK INSTL LAUNDRY SWING DR
18.Ref	53234636	RACK INSTL LAUNDRY ROLL UP DR
18.Ref	53233464	INST L/MNT LAUNDRY RACK 16
18.Ref	53233465	RACK PIPE LOW-MNT INST DOM LIN
18.Ref	19901273	INSERT 1.31 O.D. TUBING INSTL



19—Roof



(Front)

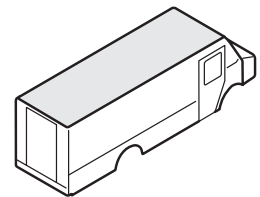
Roof

Utilimaster, 65528 State Road 19, P.O. Box 585, Wakarusa, IN 46573-0585, U.S.A.

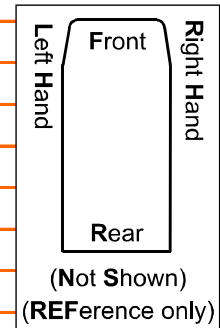
Email CustSvc@Utilimaster.com or Browse the web site www.utilimaster.com.

Call 800-237-7806 (or 574-862-3219) or Fax to 574-862-7637.

(See the Decoding Part Numbers section for Item, Part, and Description codes.)

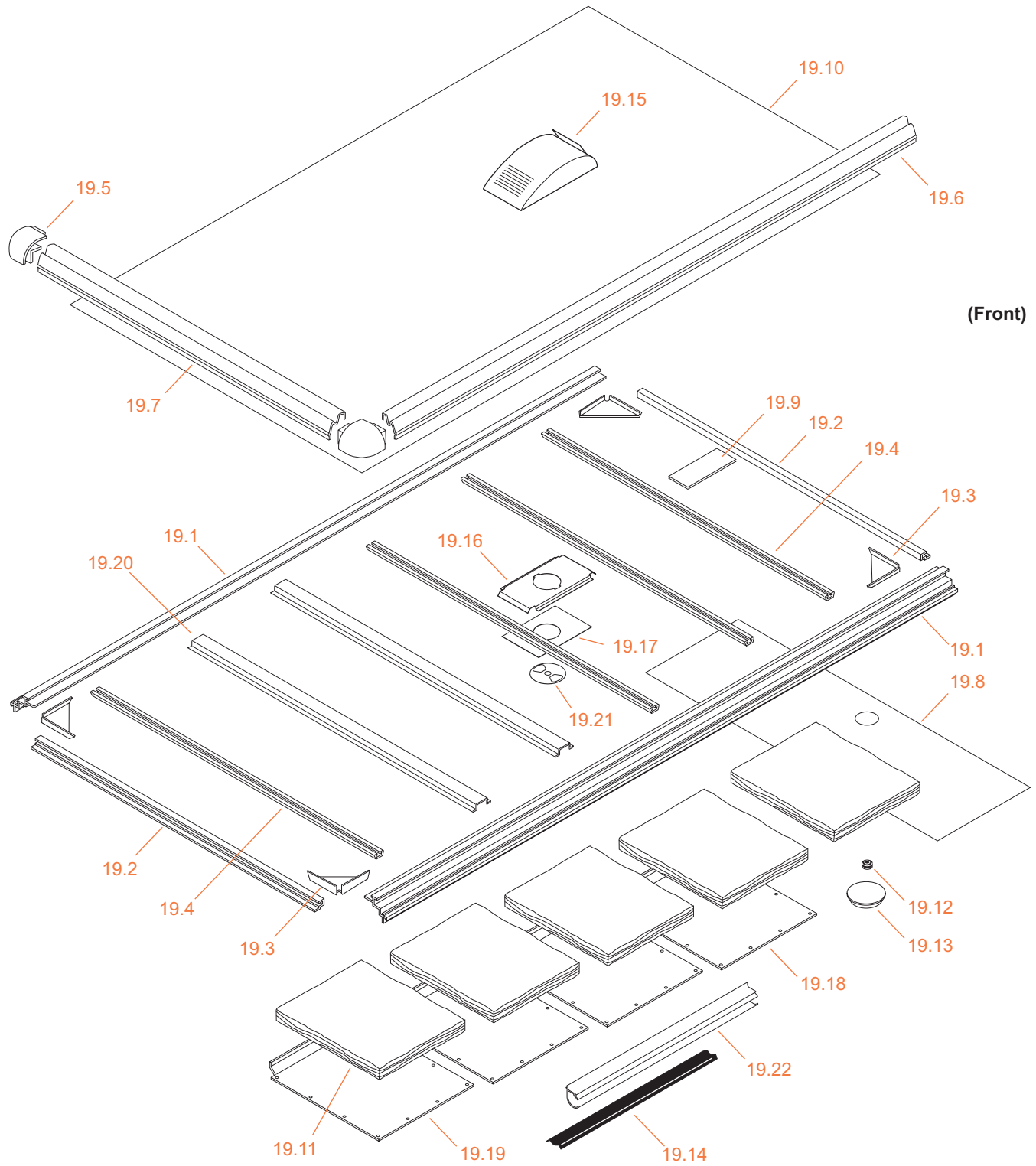


Item	Part Number	Description
19.0		ROOF ASSEMBLY
19.1	06003911-Length	IA8160 ROOF EDGE (SPECIFY LENGTH)
19.2	06003866-Length	IA7448 RF END (SPECIFY LENGTH)
19.3	06601460	GUSSET ROOF 7.69 x 8
19.4	22150695-Length	ROOF BOW ANTI-SNAG (SPECIFY LENGTH)
19.5 LH	06850012	CASTING RF CAP REAR LH
19.5 RH	06850011	CASTING RF CAP REAR RH
19.6.0	06000764-Length	IA9101 RFCAP (SPECIFY LENGTH)
19.6.1	11600519-11AHP	RIVET ENCAP AD66H W/PLASTISOL
19.7	06003875-Length	IA7474 ROOF CAP (SPECIFY LENGTH)
19.8	06601648-Width	HEADLINER FRONT (SPECIFY WIDTH)
19.9	06913673	BACKER CARGO LIGHT 10 x 25
19.10.1	BSNR*	ROOF METAL
19.10.2	01901065	KEMLI 06 x 96 x COIL FW
19.10.3	11400600	RIVET AVEX 3/16 x 3/8
19.11	20510275	INSUL F/GLASS 1" x 21" x 100' 3/PLY
19.12	Part of 19.13	GROMMET
19.13	15202126	LIGHT KD12V CARGO
19.14	05302195	INSERT VINYL BLACK 3/4"
19.15.1	07206132	VENT EVANS NON POWER HV213215
19.15.2	07206133	VENT EVANS 200CFM WHI HV213254
19.16	06917078	BACKER VENT EVANS ROOF #30-36
19.17	06917079	COVER VENT EVANS ROOF #30-36
19.18	06601778-Width	ROOF LINER W/SKYLITE (SPECIFY WIDTH)
19.19.1	06917113-CHART	LINER LH END 6"SKYLITE
19.19.2	06917112-CHART	LINER RH END 6"SKYLITE
19.19.3	06917110-CHART	LINER RH END 24"SKYLITE 78.5
19.19.4	06917116-CHART	LINER RH END 24"SKYLITE 86.5
19.19.5	06917117-CHART	LINER RH END 24"SKYLITE 93.5
19.19.6	06917118-CHART	LINER LH END 24"SKYLITE 86.5
19.19.7	06917119-CHART	LINER LH END 24"SKYLITE 93.5
19.19.8	06917125-CHART	LINER MID 6"SKYLITE
19.20	22150700-Width	ROOF BOW W/ROOF A/C (SPECIFY WIDTH)
19.21	07205104	GARNISH FOR ROOF VENT HV209472
19.22	20510691-14000	TRACK ROOF RAIL CONDUIT 140.00



Continued

19—Roof (continued)



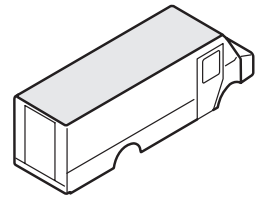
Roof

Utilimaster, 65528 State Road 19, P.O. Box 585, Wakarusa, IN 46573-0585, U.S.A.

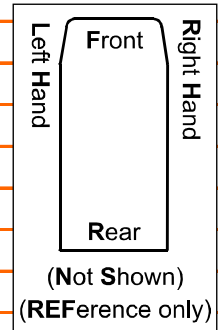
Email CustSvc@Utilimaster.com or **Browse** the web site www.utilimaster.com.

Call 800-237-7806 (or 574-862-3219) or **Fax** to 574-862-7637.

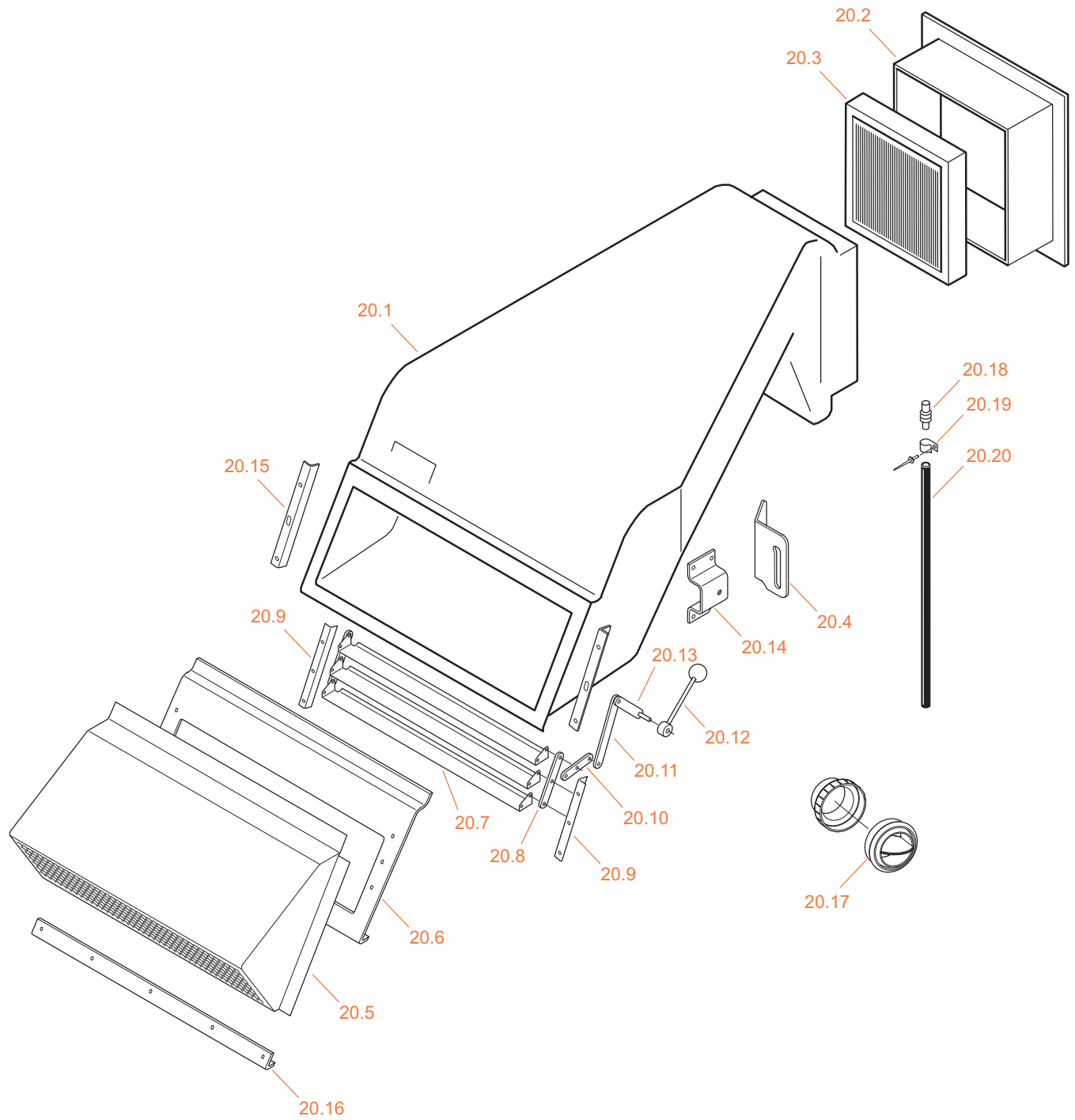
(See the Decoding Part Numbers section for Item, Part, and Description codes.)



Item	Part Number	Description
19.NS	01900680	SUN PATCH REPAIR KIT
19.NS	12300550	SEALANT, SELF LEVELING
19.NS	12400712	SIKAFLEX ALUM 11FLOZ
19.NS	12605927	ADHESIVE H STR TAPE .015
19.NS	12605933	TAPE ADHESIVE 1/2"
19.NS	12605905	TAPE BUTYL 1/8 x 1-1/4 30' ROLL
19.NS	12605849	TAPE BUTYL 3/16 x 1-1/2 25' ROLL
19.NS	12605928	ADHESIVE URETHANE SEALANT ALUM
19.Ref	56232022	ROOF ASY INSTALL
19.Ref	56232009	INSTL RAD CAP TO ROOF ASSY
19.Ref	53234211	INSTL ASY SIDE SKIN TO ROOF RL



20—Positive Pressure System



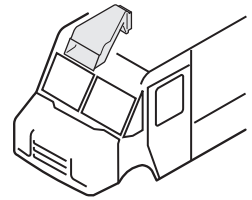
Positive Pressure System

Utilimaster, 65528 State Road 19, P.O. Box 585, Wakarusa, IN 46573-0585, U.S.A.

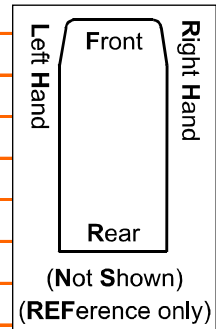
Email CustSvc@Utilimaster.com or Browse the web site www.utilimaster.com.

Call 800-237-7806 (or 574-862-3219) or Fax to 574-862-7637.

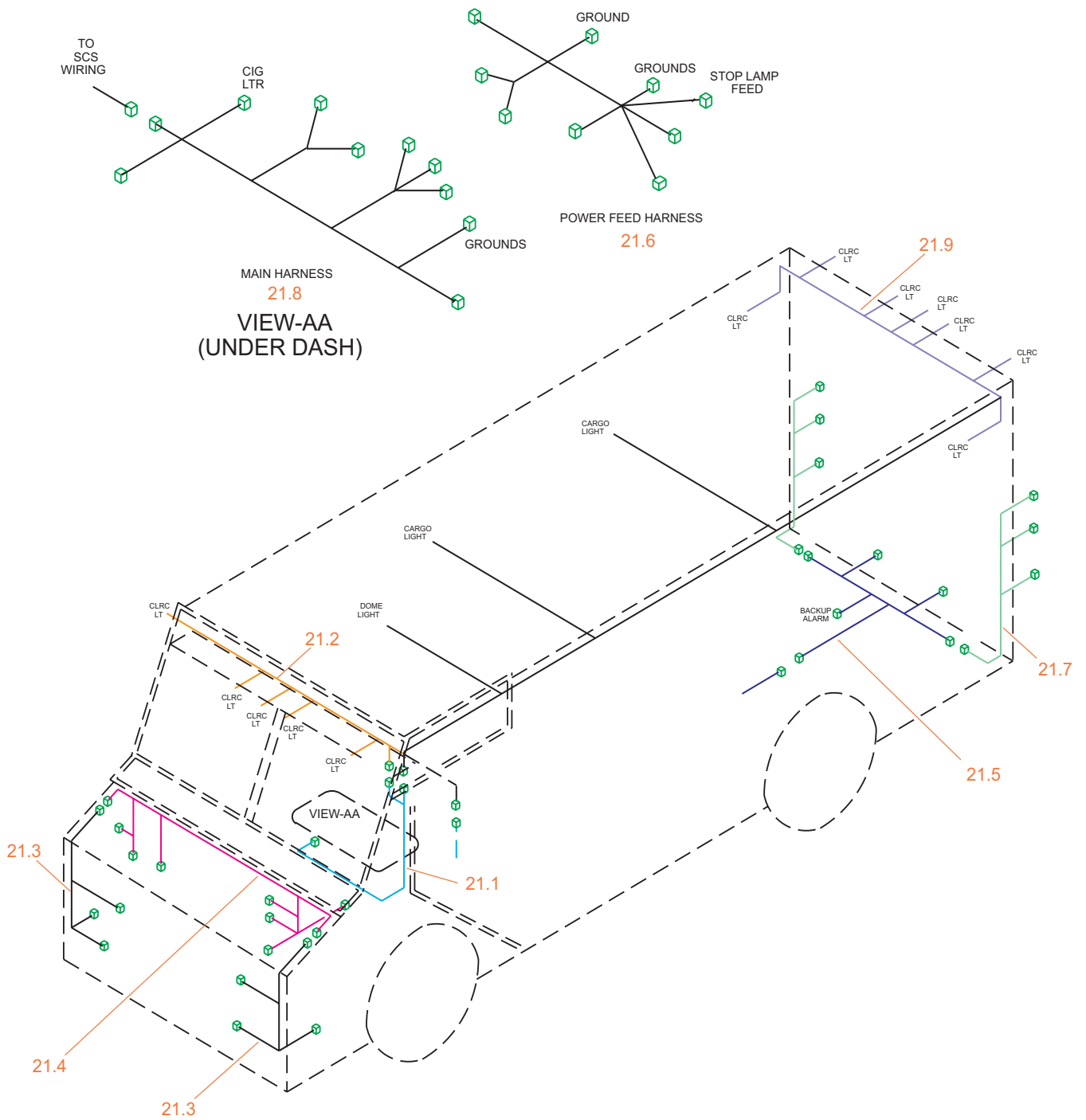
(See the Decoding Part Numbers section for Item, Part, and Description codes.)



Item	Part Number	Description
20.0	64236594	INSTL DUCT RH POS PRESS
20.1	20510556	WELDMENT POS PRESS DUCT SONIC
20.2	20510553	COLLAR POS PRESS BLKHD MNTG
20.3	08610641	FILTER AIR POS PRESSURE
20.4	06920208	BRKT POS PRESS DETENT-PLASTIC
20.5	06919144	WLDMT POS PRESS INTAKE SCOOP
20.6	06919137	DUCT TOP FRONT POS PRESS RH
20.7	06918854	LOUVER VENT POS PRESS
20.8	22814977	LINKAGE POS PRESS CONNECTOR
20.9 LH	06918513	BRKT LH POS PRESS LOUVER SUPT
20.9 RH	06918514	BRKT RH POS PRESS LOUVER SUPT
20.10	22814978	LINKAGE POS PRESS PIVOT
20.11	22814979	LINKAGE POS PRESS CONTROLLING
20.12	64236583	ASY POS PRES HAND ACTUATOR LEVER
20.13	22815085	ASSY PIVOT ROD/LINKGE POS PRES
20.14	06920027	BRKT POS PRESS LEVER SUPPORT
20.15	06919419	BRACE SUPPORT SIDES POS PRESS
20.16	06919420	BRACE SUPPORT LOWER POS PRESS
20.17	17990611	LOUVER (2-PIECE)
20.18	08610697	DRAIN POS PRESS
20.19	08706376	J-CLAMP 1/2" .203 HOLE
20.20	18504607	HOSE DRAIN 1/2" ID
20.NS	03101903	DECAL POS PRESS INSTRUCTIONS
20.NS	03101844	DECAL POS PRESS "OPEN"/"CLOSE"
20.NS	11600622	WASHER NYLON .50
20.NS	11600623	CLIP RETAINING .25
20.NS	11103030	PIN COTTER 3/32 X 1" ZINC
20.NS	11600618	SPACER HAND ACTUATOR LVR NYLON
20.Ref	20510562	ASSY, DUCT RH POS PRESSURE
20.Ref	64236581	ASSY, DAMPER POSITIVE PRESSURE

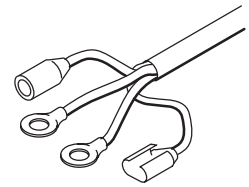


21—Electrical Harnesses

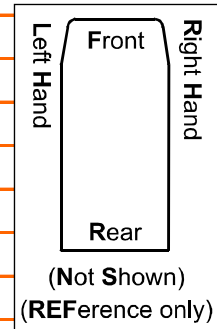


Electrical Harnesses

Utilimaster, 65528 State Road 19, P.O. Box 585, Wakarusa, IN 46573-0585, U.S.A.
Email CustSvc@Utilimaster.com or **Browse** the web site www.utilimaster.com.
Call 800-237-7806 (or 574-862-3219) or **Fax** to 574-862-7637.
(See the Decoding Part Numbers section for Item, Part, and Description codes.)

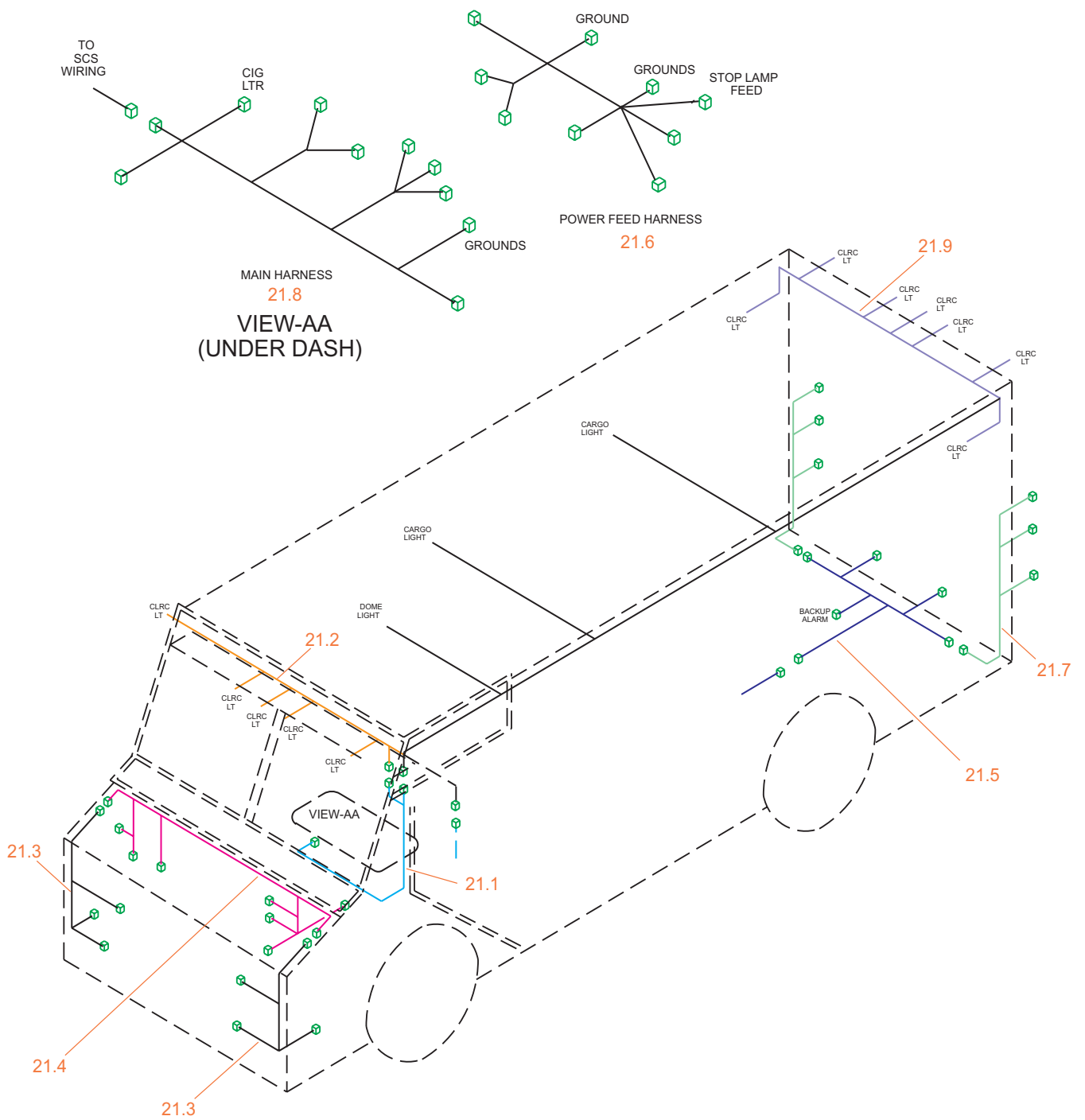


Item	Part Number	Description
21.0		WIRING DIAGRAM
21.1.1	16400487	HARNESS "A" PILLAR STD #30-36
21.1.2	16512117	HARNESS A-PILLAR RR LIGHTS/RF
21.2.1	16400485	HARNESS FRT CLEARANCE
21.2.2	16512062	HARNESS CLRNS/CENTRAL GROUND
21.2.3	16512269	HARNESS FRT CLR/CNTRL GRND/FAN
21.3.1	16400491	HARNESS HDLMP/TURN UNIV HALO GN
21.3.2	16512038	HRNS HDLT/TRN JMPR RECT INCAND
21.3.3	16512228	HARNESS HDLMP/TURN HALO RTM #31-36
21.3.4	16512229	HARNESS HDLMP/TURN INCAND RTM #31-36
21.4	16512502	HARN WPR/HDLP FX E/H 31 32 35
21.5.1	16400521	HARNESS MAIN TAIL #30, 33, 36
21.5.2	16400522	HARNESS TLIGHT JMPR UNIV
21.5.3	16400524	HARNESS EUROPEAN TAILLIGHT
21.5.4	16400549	HARNESS TLIGHT JMPR
21.5.5	16512040	HRNS T/LIGHT JMPR RH
21.5.6	16512041	HRNS T/LIGHT JMPR LH
21.5.7	16400523	HARNESS TLIGHT JMPR UPR
21.5.8	16512402	HARNESS LED TAILLIGHTS STD
21.5.9	16512485	HARNESS SPLIT TAIL KPLT 30-36
21.5.10	16512934	HARNESS RH TAIL LAMP JUMPER
21.5.11	16512935	HARNESS LH TAIL LAMP JUMPER
21.6.1	16400508	HARNESS POWER FEED #32, 35
21.6.2	16513099	HARNESS POWER FEED #31, 32, & 35
21.6.3	16513429	HARNESS POWER FEED MERCEDES #35
21.7.1	16511898	HARNESS HIGH MNT STP/TRN/TAIL
21.7.2	16512404	HARNESS LED TAILLIGHTS 2-UP
21.8.1	16511966	HARNESS MAIN SGL SW BANK 30-36
21.8.2	16512282	HARNESS MAIN 1998 30-36
21.8.3	16512839	HARNESS MAIN ASSEMBLY
21.9.1	16400486	HARNESS REAR CLEARANCE
21.9.2	16512066	HARNESS RR CL LGT/CENTRAL GRD
21.9.3	16512126	HARNESS CL RR CNTRL GRD W/O SW



Continued

21—Electrical Harnesses (continued)



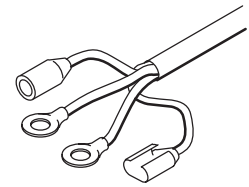
Electrical Harnesses

Utilimaster, 65528 State Road 19, P.O. Box 585, Wakarusa, IN 46573-0585, U.S.A.

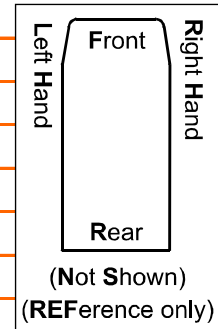
Email CustSvc@Utilimaster.com or **Browse** the web site www.utilimaster.com.

Call 800-237-7806 (or 574-862-3219) or **Fax** to 574-862-7637.

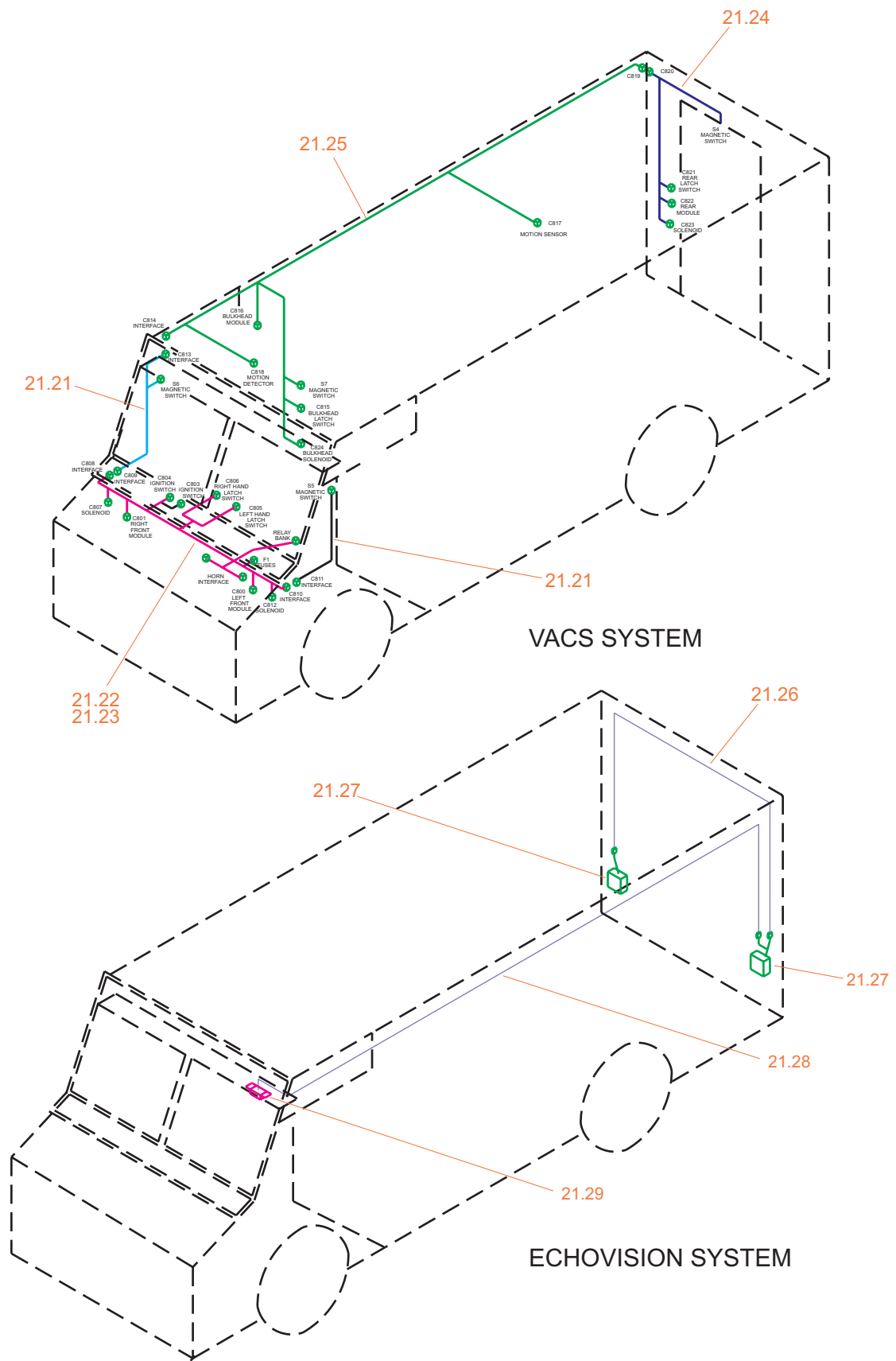
(See the Decoding Part Numbers section for Item, Part, and Description codes.)



Item	Part Number	Description
21.NS	16512403	HARNESS PIGTAIL LED LP
21.NS	16512866	HARNESS STEREO 4-SPEAKER SONY
21.NS	16512057	** HARNESS STEREO
21.NS	16512683	STEREO HARN W/RR SPKS
21.NS	16511738	CONDUIT PLASTIC 1/4" SLIT
21.NS	16510019	CONDUIT PLASTIC 3/8" SLIT
21.NS	16510012	CONDUIT 1/2"BLUE NON METAL EMT
21.NS	16510009	CONDUIT PLASTIC 1/2"SLIT
21.NS	16510020	CONDUIT PLASTIC 5/8" SLIT
21.NS	16510011	CONDUIT 3/4"BLUE NON METAL EMT
21.NS	16100054	RELAY 20-30 SPDT



21—Electrical Options



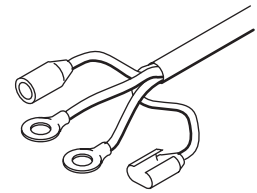
Electrical Options

Utilimaster, 65528 State Road 19, P.O. Box 585, Wakarusa, IN 46573-0585, U.S.A.

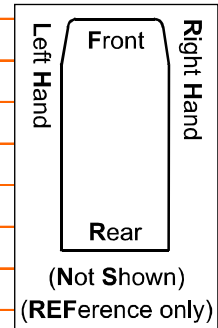
Email CustSvc@Utilimaster.com or Browse the web site www.utilimaster.com.

Call 800-237-7806 (or 574-862-3219) or Fax to 574-862-7637.

(See the Decoding Part Numbers section for Item, Part, and Description codes.)



Item	Part Number	Description
21.20		WIRE HARNESS OPTIONS
21.21 LH	16512471	HARNESS LH "A" PILLAR STRATEC (Keyless)
21.21 RH	16512472	HARNESS RH "A" PILLAR STRATEC (Keyless)
21.22	16512473	HARNESS DASH STRATEC
21.23	16512767	HARNESS CHASSIS INTERFACE (Keyless)
21.24	16512475	HARNESS RR JUMPER STRATEC
21.25	16512474	HARNESS ROOF KEYLESS ENTRY
21.26	16512527	CABLE SENSOR TO SENSOR
21.27 LH	16512737	MODULE ECHOVISION LH SENSOR
21.27 RH	16512736	MODULE ECHOVISION RH SENSOR
21.28	16512526-CHART	CABLE ECHO W/ALARM (SPECIFY LENGTH)
21.29	16512525	MODULE ECHO DISPLAY
21.NS	16511938	MODULE DAY TIME RUNNING LIGHTS-HAMSAR
21.NS	16513362	MODULE, DAY TIME RUNNING LIGHTS
21.NS	13672432	GASKET, RUBBER ECHOVISION BCK-UP ALM
21.NS	03102240	VACS OPERATORS GUIDE
21.NS	03102103	MANUAL, VEHICLE ACCESS CONTOLS SYS
21.Ref	58231040	WIRE DIAGRAM KEYLESS ENTRY
21.Ref	58231024-Length	ASY ECHO W/BU ALM FLUSH
21.Ref	58231085	KEYLESS ENTRY IGNITION INTERFACE
21.Ref	58231084	INSTALL KEYLESS ENTRY HORN INTERFACE
21.Ref	58231065	HVAC POWER CONNECTION MODI. FRTLINER



Appendixes

06914922—Bulkhead Panels

APPENDIX 06914922 BULKHEAD PANELS	
Part Number	Description
06914922-H	PNL BHD RH AL SLDR FP 5 W x H
06914927-H	PNL BHD RH SLDR FP 20.25 W x H
06914928-H	PNL BHD RH SLDR FP 22 W x H
06914935-H	PNL BHD RH SLDR KSN 22 W x H
06914950-H	PNL BHD RH CUP FP 5 W x H
06914955-H	PNL BHD RH CUP FP 20.25 W x H
06914956-H	PNL BHD RH CUP FP 22 W x H
06914963-H	PNL BHD RH CUP KSN 22 W x H
06914977-H	PNL BHD RH CUP BST 22 W x H
06914984-H	PNL BHD RH SDN FP 22 W x H
06914991-H	PNL BHD RH SDN KSN 22 W x H
06915008-H	PNL BHD/JS RH SLDR FP 22"
06915010-H	PNL BHD/JS RH CUP FP 22"
06915012-H	PNL BHD RH DRH FP 22 W x H
06915015-H	PNL BHD/JS RH SLDR KSN 22" x H
06915029-H	PNL BHD/JS RH SLDR BST 22"
06915034-H	PNL BHD LH AL SLDR FP 28 W x H
06915036-H	PNL BHD LH SLDR FP 32.25 W x H
06915038-H	PNL BHD LH SLDR FP 35.75 W x H
06915042-H	PNL BHD LH SLDR FP 41 W x H
06915046-H	PNL BHD LH SLDR KSN 28 W x H
06915048-H	PNL BHD LH SLDR KSN 32.25 W x H
06915050-H	PNL BHD LH SLDR KSN 35.75 W x H
06915058-H	PNL BHD LH SLDR R38 28 W x H
06915060-H	PNL BHD LH SLD R38 32.25 W x H
06915062-H	PNL BHD LH SLD R38 35.75 W x H
06915070-H	PNL BHD LH CUP FP 28 W x H
06915072-H	PNL BHD LH CUP FP 32.25 W x H
06915074-H	PNL BHD LH CUP FP 35.75 W x H
06915082-H	PNL BHD LH CUP KSN 28 W x H
06915084-H	PNL BHD LH CUP KSN 32.25 W x H
06915086-H	PNL BHD LH CUP KSN 35.75 W x H
06915096-H	PNL BHD LH CUP R38 32.25 W x H
06915120-H	PNL BHD LH SDN KSN 32.25 W x H
06915144-H	PNL BHD LH DLH FP 32.25 W x H
06915145-H	PNL BHD LH DLH FP 33.88 W x H
06915146-H	PNL BHD LH DLH FP 35.75 W x H
06915148-H	PNL BHD LH DLH FP 37.38 W x H
06915151-H	PNL BHD LH DLH FP 42.25 W x H
06915153-H	PNL BHD LH DLH FP 46 W x H
06915157-H	PNL BHD LH DLH KSN 33.88W x H
06915160-H	PNL BHD LH DLH KSN 37.38 W x H
06915169-H	PNL BHD LH DLH R38 33.38W x H
06915719-H	BH W/JS RH SL/SL ENF 22 W x H
06915737-H	BH,LH SL/SL R38 35.75 x H
06916564-H	BH LH SL/SL R38 32.25 x H
06916680-H	PNL BHD/JS RH SLDR FP 22" x"
06916684-H	PNL BHD/JS RH C/UP FP 22"
06921197-H	PANEL BHD RH W/JMPST KYLS ENTRY H
06921332-H	BHD AL SLDR 32.25" x H KEYLESS ENT
06922458	** PNL BHD RH KY ENT POS PRES W/CPT

51231192—Chassis Risers

See also 51231296 for Model 31
See also 51231207 for Model 35

APPENDIX 51231192 #32 CHASSIS RISERS				
W/B	UNIT LENGTH	ITEM 1.12	ITEM 1.10	ITEM 1.13
#32 STANDARD FLOOR				
178	18	22813266	22813267-09880	22813282-01000
178	17	22813266	22813267-08680	N/A
178	16	22813266	22813267-07480	N/A
158.5	16.5	22813278	22813267-10030	22813282-01155
158.5	16	22813278	22813267-09430	22813282-00555
158.5	15.5	22813278	22813267-08830	N/A
158.5	15	22813278	22813267-08230	N/A
158.5	14	22813278	22813267-07030	N/A
138	13	22813279	22813267-07880	N/A
138	12	22813279	22813267-06679	N/A
#32 INSULATED FLOOR				
178	18	22814129	22814130-09880	22813282-01000
178	17	22814129	22814130-08680	N/A
178	16	22814129	22814130-07480	N/A
158.5	16	22814128	22814130-09430	22813282-00555
158.5	15	22814128	22814130-08230	N/A
158.5	14	22814128	22814130-07030	N/A
138	13	22814127	22814130-07880	N/A
138	12	22814127	22814130-06679	N/A

51231196—Fitzpatrick Bumpers

See also 51231252 for 10" Bumper

APPENDIX: 51231196 11" FITZPATRIC STYLE BUMPERS				
PART NO.	UNIT WIDTH	BUMPER WIDTH	MOUNTING CONFIG.	DESCRIPTION
22813348-07850	78.5	80.75	22813293	TREADPLA TE
22813348-08650	86.5	88.75	22813293	TREADPLA TE
22813348-09350	93.5	95.75	22813293	TREADPLA TE
22813349-07850	78.5	80.75	22813293	TREADPLA TE W/KIDNEY
22813349-08650	86.5	88.75	22813293	TREADPLA TE W/KIDNEY
22813349-09350	93.5	95.75	22813293	TREADPLA TE W/KIDNEY
22813350-07850	78.5	80.75	22813293	TREADPLA TE W/KIDNEY W/ HOLE
22813350-08650	86.5	88.75	22813293	TREADPLA TE W/KIDNEY W/ HOLE
22813350-09350	93.5	95.75	22813293	TREADPLA TE W/KIDNEY W/ HOLE
22816009-07850	78.5	80.75	22813293	TREADPLA TE W/KIDNEY W/ 2 HOLES
22816009-08650	86.5	88.75	22813293	TREADPLA TE W/KIDNEY W/ 2 HOLES
22816009-09350	93.5	95.75	22813293	TREADPLA TE W/KIDNEY W/ 2 HOLES
22813351-07850	78.5	80.75	22813293	GRIPSTRUT
22813351-08650	86.5	88.75	22813293	GRIPSTRUT
22813351-09350	93.5	95.75	22813293	GRIPSTRUT
22813352-07850	78.5	80.75	22813293	GRIPSTRUT W/KIDNEY
22813352-08650	86.5	88.75	22813293	GRIPSTRUT W/KIDNEY
22813352-09350	93.5	95.75	22813293	GRIPSTRUT W/KIDNEY
22813353-07850	78.5	80.75	22813293	GRIPSTRUT W/KIDNEY W/ HOLE
22813353-07850	86.5	88.75	22813293	GRIPSTRUT W/KIDNEY W/ HOLE
22813353-07850	93.5	95.75	22813293	GRIPSTRUT W/KIDNEY W/ HOLE
22816010-07850	78.5	80.75	22813293	GRIPSTRUT W/KIDNEY W/ 2 HOLES
22816010-08650	86.5	88.75	22813293	GRIPSTRUT W/KIDNEY W/ 2 HOLES
22816010-09350	93.5	95.75	22813293	GRIPSTRUT W/KIDNEY W/ 2 HOLES

51231207—Chassis Risers

See also 51231296 for Model 31
See also 51231192 for Model 32

APPENDIX 51231207 #35 CHASSIS RISERS				
#35 STANDARD FLOOR				
W/B	UNIT LENGTH	ITEM 1.12	ITEM 1.10	ITEM 1.13
208	22.0	22813773	22813658	22813659-12000
208	21.0	22813773	22813658	22813659-10800
208	20.0	22813773	22813658	22813659-09600
208	19.0	22813773	22813658	22813659-08400
190	20.0	22813656	22813657-09880	22813830
190	19.0	22813656	22813657-11080	NA
190	18.0	22813656	22813657-09880	NA
178	18.0	NA	22813654	22813655-09880
178	17.0	NA	22813654	22813655-08680
178	16.0	NA	22813654	22813655-07480
158.5	16.0	NA	22813652	22813653-09430
158.5	15.0	NA	22813652	22813653-08230
158.5	14.0	NA	22813652	22813653-07030
158.5	13.0	NA	22813652	22813653-05830
148	14.0	NA	22815824	22815831-07230
148	13.0	NA	22815824	22815831-06030
148	12.0	NA	22815824	22815831-04630
#35 FLOOR WITH RAMP				
208	22.0	22814057**	22814726	22814728-04229
208	21.0	22814057**	22814726	22814728-03029
208	20.0	22814057**	22814726	22814728-01829
208	19.0	22814057**	22814726	22814728-00629
190	20.0	22814721	22814722	22814724-03763
190	19.0	22814721	22814722	22814724-02563
190	18.0	22814721	22814722	22814724-01363
178	18.0	22814057	22814058	22814060-03363
178	17.0	22814057	22814058	22814060-02163
178	16.0	22814057	22814058	22814060-00963
158.5	16.0	22814248	22814249	22814251-01932
158.5	15.0	22814248	22814249	22814251-00732
158.5	14.0	NA	NA	NA
** 208 Also requires 22814725.				
#35 FLOOR WITH INSULATED FLOOR				
208	22.0	22814146	22814147	22814148-12000
208	21.0	22814146	22814147	22814148-10800
208	20.0	22814146	22814147	22814148-09600
208	19.0	22814146	22814147	22814148-08400
190	20.0	22814144	22814145-09880	22814149
190	19.0	NA	22814144	22814145-11080
190	18.0	NA	22814144	22814145-09880
178	18.0	NA	22814142	22814143-09880
178	17.0	NA	22814142	22814143-08680
178	16.0	NA	22814142	22814143-07480
158.5	16.0	NA	22814140	22814141-09430
158.5	15.0	NA	22814140	22814141-08230
158.5	14.0	NA	22814140	22814141-07030
148	14.0	NA	22816195	22816196-07230
148	13.0	NA	22816195	22816196-06030
148	12.0	NA	22816195	22816196-04630

51231252—Fitzpatrick Bumpers

See also 51231196 for 11" Bumper

APPENDIX: 51231252 10" FITZPATRICK STYLE BUMPERS				
PART NO.	UNIT WIDTH	BUMPER WIDTH	MOUNTING CONFIG.	DESCRIPTION
22814107-07850	78.5	80.75	22814105	TREADPLATE
22814107-08650	86.5	88.75	22814105	TREADPLATE
22814107-09350	93.5	95.75	22814105	TREADPLATE
22814108-07850	78.5	80.75	22814105	TREADPLATE W/KIDNEY
22814108-08650	86.5	88.75	22814105	TREADPLATE W/KIDNEY
22814108-09350	93.5	95.75	22814105	TREADPLATE W/KIDNEY
22814109-07850	78.5	80.75	22814105	TREADPLATE W/KIDNEY W/ HOLE
22814109-08650	86.5	88.75	22814105	TREADPLATE W/KIDNEY W/ HOLE
22814109-09350	93.5	95.75	22814105	TREADPLATE W/KIDNEY W/ HOLE
22816005-07850	78.5	80.75	22814105	TREADPLATE W/KIDNEY W/ 2 HOLES
22816005-08650	86.5	88.75	22814105	TREADPLATE W/KIDNEY W/ 2 HOLES
22816005-09350	93.5	95.75	22814105	TREADPLATE W/KIDNEY W/ 2 HOLES
22814097-07850	78.5	80.75	22814105	GRIPSTRUT
22814097-08650	86.5	88.75	22814105	GRIPSTRUT
22814097-09350	93.5	95.75	22814105	GRIPSTRUT
22814110-07850	78.5	80.75	22814105	GRIPSTRUT W/KIDNEY
22814110-08650	86.5	88.75	22814105	GRIPSTRUT W/KIDNEY
22814110-09350	93.5	95.75	22814105	GRIPSTRUT W/KIDNEY
22814109-07850	78.5	80.75	22814105	GRIPSTRUT W/KIDNEY W/ HOLE
22814109-08650	86.5	88.75	22814105	GRIPSTRUT W/KIDNEY W/ HOLE
22814109-09350	93.5	95.75	22814105	GRIPSTRUT W/KIDNEY W/ HOLE
22816006-07850	78.5	80.75	22814105	GRIPSTRUT W/KIDNEY W/ 2 HOLES
22816006-08650	86.5	88.75	22814105	GRIPSTRUT W/KIDNEY W/ 2 HOLES
22816006-09350	93.5	95.75	22814105	GRIPSTRUT W/KIDNEY W/ 2 HOLES

51231296—Chassis Risers

See also 51231192 for Model 32
See also 51231207 for Model 35

APPENDIX 51231296 #31 CHASSIS RISERS				
#31 STANDARD FLOOR				
W/B	UNIT LENGTH	ITEM 1.10	ITEM 1.11	ITEM 1.12
218	22.0	22814431-06300	22814434	22814430
218	21.0	22814431-05100	22814434	22814430
218	20.0	22814431-03900	22814434	22814430
205	19.0	22814431-06300	22814433	22814430
193	19.0	22814431-06300	22814433	22814430
193	18.0	22814431-05100	22814433	22814430
193	17.0	22814431-03900	22814433	22814430
176	18.0	22814431-06300	22814432	22814430
176	17.0	22814431-05100	22814432	22814430
176	16.0	22814431-03900	22814432	22814430
176	15.0	22814431-02700	22814432	22814430
158	16.0	22813653-09430	22813652	N/A
158	15.0	22813653-08230	22813652	N/A
158	14.0	22813653-07030	22813652	N/A
158	12.0	22813653-04630	22813652	N/A
#31 INSULATED FLOOR				
W/B	UNIT LENGTH	ITEM 1.10	ITEM 1.11	ITEM 1.12
218	22.0	22814436-06300	22814439	22814435
218	21.0	22814436-05100	22814439	22814435
218	20.0	22814436-03900	22814439	22814435
205	19.0	22814436-06300	22814438	22814435
193	19.0	22814436-06300	22814438	22814435
193	18.0	22814436-05100	22814438	22814435
193	17.0	22814436-03900	22814438	22814435
176	18.0	22814436-06300	22814437	22814435
176	17.0	22814436-05100	22814437	22814435
176	16.0	22814436-03900	22814437	22814435
176	15.0	22814436-02700	22814437	22814435
158	16.0	22814141-09430	22814140	N/A
158	15.0	22814141-08230	22814140	N/A
158	14.0	22814141-07030	22814140	N/A
158	12.0	22814141-04630	22814140	N/A

54000000—Quarter Panels

APPENDIX 54000000 QUARTER PANELS						
Prior to 2000*	After 2000*	ABS Intake*	Position	Ref No.	Note*	Description
06919098	06921092	NA	RH	30	Spl	PANEL QTR RH W/O LOUVERS #30
06601617	06921088	NA	LH	30	Std	PANEL QTR LH #30
06601618	06921089	06924026	RH	30	Std	PANEL QTR RH #30
06915703	Pending	NA	LH	30	Vent	** PANEL QTR LH W/VENT #30
06921091	06921090	06924027	RH	30	Vent	PANEL QTR LH W/VENT #30
06915704	Pending	Pending	RH	30	Vent	** PANEL QTR RH W/VENT #30
06916519	06921093	NA	LH	31, 35	Std	PANEL QTR LH #31,35
06916520	06921094	06924028	RH	31, 35	Std	PANEL QTR RH #31,35
06916516	06921095	NA	LH	31, 35	Vent	PANEL QTR LH W/VENT #31,35
06916517	06921096	06924029	RH	31, 35	Vent	PANEL QTR RH W/VENT #31,35
06920550	06921207	06924254	RH	31, 35	Kyls	PNL QTR RH KYLS ENTRY #35
06920549	06921208	NA	LH	31, 35	Vent Kyls	PNL QTR LH KYLS ENTRY #35
NA	NA	06923197	LH	31, 35	IPCX	PNL QTR LH KYLS IPC XMBR #35
NA	NA	06923196	RH	31, 35	IPCX	PNL QTR RH KYLS IPC XMBR #35
NA	NA	06922963	LH	31, 35	IPCX Vent	PNL QTR LH KYLS IPC XMBR W/VENT
NA	NA	06922962	RH	31, 35	IPCX Vent	PNL QTR RH KYLS IPC XMBR W/VENT
06918534	06921097	NA	LH	32	Std	PANEL QTR LH #32
06918536	06921098	06924030	RH	32	Std	PANEL QTR RH #32
06918535	06921099	NA	LH	32	Vent	PANEL QTR LH W/VENT #32
06918537	06921100	06924031	RH	32	Vent	PANEL QTR RH W/VENT #32
06918333	06921105	NA	LH	33	Receipt	PANEL QTR LH NO VENT W/HTR #33
06915342	06921101	NA	LH	33	Std	PANEL QTR LH #33
06916636	06921102	06924032	RH	33	Std	PANEL QTR RH #33
06916635	06921103	NA	LH	33	Vent	PANEL QTR LH W/VENT #33
06601791	06921104	06924033	RH	33	Vent	PANEL QTR RH W/VENT #33
06918332	06921106	NA	LH	33	Vent Receipt	PANEL QTR LH W/VENT & HTR #33
NA	06921212	NA	LH	36	Kyls	PNL QTR LH KYLS ENTRY #36
06920650	06921211	06924255	RH	36	Kyls	PNL QTR RH KYLS ENTRY #36
06503160	06921107	NA	LH	36	Std	PANEL QTR LH #36
06503161	06921108	06924034	RH	36	Std	PANEL QTR RH #36
06601789	06921109	NA	LH	36	Vent	PANEL QTR LH W/VENT #36
06601790	06921110	06924035	RH	36	Vent	PANEL QTR RH W/VENT #36
06920651	Pending	NA	LH	36	Vent Kyls	** PANEL QTR LH KEYLS ENTRY #36
06920854	06921111	NA	LH	36	Vent Receipt	PANEL QTR LH W/VENT & HTR #36
2000*						
The front structure design changed in model year 2000. Consult Customer Service if your unit was built in this year.						
ABS Intake*						
The ABS heater intake replaced the punched louvers. You may save time and money upgrading to this design.						
Notes*						
Std – Standard						
Vent – Cutout for hingeless vent						
Kyls – Keyless entry						
Receipt – Receipt for engine block heater						
IPCX – One piece cross member						
Spl – Special application						
Reference ECNs 11635 and 16153.						

54231878—Jump Seats

WITH HEADREST		
OPT/#	Item 11.50	Item 11.51
W00136-30	13672143 - CUSHION,BACK BLACK/VINYL	13672142 - J/SEAT,WALL MNT BLACK
W00136-31	13672237 - CUSHION,BACK SALT & PEPPER	13121022 - J/SEAT,WALL MNT SALT/PEPPER
W00136-32	13010579 - CUSHION,BACK BLACK/NYLON	13112492 - J/SEAT,WALL MNT BLACK
W00136-33	13672137 - CUSHION,BACK BROWN	13672236 - J/SEAT,WALL MNT BROWN
W00136-34	13672196 - CUSHION,BACK RED/BLACK	13672195 - J/SEAT,WALL MNT RED
W00136-35	13672229 - CUSHION,BACK CADET BLUE	13672228 - J/SEAT,WALL MNT BLUE
W00136-36	13015606 - CUSHION,BACK GREY/VINYL	13015605 - J/SEAT,WALL MNT GREY

WITH HIGHBACK		
OPT/#	Item 11.50	Item 11.51
W00137-30	13672245 - CUSHION,BLACK/VINYL 12 X 32	13672142 - J/SEAT,WALL MNT BLACK
W00137-31	13672169 - CUSHION,SALT/PEPPER 12 X 32	13121022 - J/SEAT,WALL MNT SALT/PEPPER
W00137-32	13672246 - CUSHION,BLACK/NYLON 12 X 32	13112492 - J/SEAT,WALL MNT BLACK
W00137-33	13672249 - CUSHION,BROWN 12 X 32	13672236 - J/SEAT,WALL MNT BROWN
W00137-34	13672247 - CUSHION,RED 12 X 32	13672195 - J/SEAT,WALL MNT RED
W00137-35	13672248 - CUSHION,CADET BLUE 12 X 32	13672228 - J/SEAT,WALL MNT BLUE
W00137-36	13672219 - CUSHION,GREY/VINYL 12 X 32	13015605 - J/SEAT,WALL MNT GREY
W00137-43	13672417 - CUSHION,BLACK CORDURA 12 X 32	13672416 - J/SEAT,WALL MNT BLACK CORDURA
W00137-31G	13672460 - CUSHION,S&P ETERNAL 12 X 32	13672459 - J/SEAT,WALL MNT S & P ETERNAL
W001000-32	13672467 - CUSHION,CONTOURED BACK BLK ETERNAL	13672466 - J/SEAT ASSY 16" MINI BLK ETERNAL

Appendix 54231878d

55230967—Rear Swing Door Metal

APPENDIX 55230967 REAR METAL FOR NARROW SWING DOORS						
Unit Size	Item 16.2 LH	Item 16.2 RH	Item 16.2 LH	Item 16.2 RH	Item 16.2 LH	Item 16.2 RH
20" Swing Door	Solid Panel		2 Round Lights		3 Round Lights	
78.5W x 73H	06502923-78573	06502868-78573	06502950-78573	06502949-78573	06502959-78573	06502958-78573
78.5W x 81H	06502923-78581	06502868-78581	06502950-78581	06502949-78581	06502959-78581	06502958-78581
78.5W x 85H	06502923-78585	06502868-78585	06502950-78585	06502949-78585	06502959-78585	06502958-78585
86.5W x 73H	06502923-86573	06502868-86573	06502950-86573	06502949-86573	06502959-86573	06502958-86573
86.5W x 81H	06502923-86581	06502868-86581	06502950-86581	06502949-86581	06502959-86581	06502958-86581
86.5W x 85H	06502923-86585	06502868-86585	06502950-86585	06502949-86585	06502959-86585	06502958-86585
93.5W x 73H	06502923-93573	06502868-93573	06502950-93573	06502949-93573	06502959-93573	06502958-93573
93.5W x 81H	06502923-93581	06502868-93581	06502950-93581	06502949-93581	06502959-93581	06502958-93581
93.5W x 85H	06502923-93585	06502868-93585	06502950-93585	06502949-93585	06502959-93585	06502958-93585
25" Swing Door	Solid Panel		2 Round Lights		3 Round Lights	
78.5W x 73H	06502883-78573	06502882-78573	06502947-78573	06502948-78573	06502957-78573	06502956-78573
78.5W x 81H	06502883-78581	06502882-78581	06502947-78581	06502948-78581	06502957-78581	06502956-78581
78.5W x 85H	06502883-78585	06502882-78585	06502947-78585	06502948-78585	06502957-78585	06502956-78585
86.5W x 73H	06502883-86573	06502882-86573	06502947-86573	06502948-86573	06502957-86573	06502956-86573
86.5W x 81H	06502883-86581	06502882-86581	06502947-86581	06502948-86581	06502957-86581	06502956-86581
86.5W x 85H	06502883-86585	06502882-86585	06502947-86585	06502948-86585	06502957-86585	06502956-86585
93.5W x 73H	06502883-93573	06502882-93573	06502947-93573	06502948-93573	06502957-93573	06502956-93573
93.5W x 81H	06502883-93581	06502882-93581	06502947-93581	06502948-93581	06502957-93581	06502956-93581
93.5W x 85H	06502883-93585	06502882-93585	06502947-93585	06502948-93585	06502957-93585	06502956-93585
29" Swing Door	Solid Panel		2 Round Lights		3 Round Lights	
78.5W x 73H	06502924-78573	06502872-78573	NA	NA	NA	NA
78.5W x 81H	06502924-78581	06502872-78581	NA	NA	NA	NA
78.5W x 85H	06502924-78585	06502872-78585	NA	NA	NA	NA
86.5W x 73H	06502924-86573	06502872-86573	06502952-86573	06502951-86573	06502962-86573	06502960-86573
86.5W x 81H	06502924-86581	06502872-86581	06502952-86581	06502951-86581	06502962-86581	06502960-86581
86.5W x 85H	06502924-86585	06502872-86585	06502952-86585	06502951-86585	06502962-86585	06502960-86585
93.5W x 73H	06502924-93573	06502872-93573	06502952-93573	06502951-93573	06502962-93573	06502960-93573
93.5W x 81H	06502924-93581	06502872-93581	06502952-93581	06502951-93581	06502962-93581	06502960-93581
93.5W x 85H	06502924-93585	06502872-93585	06502952-93585	06502951-93585	06502962-93585	06502960-93585
20" Swing Door	High Mount Round Lights		High Mount Oval Lights		High Mount Square Lights	
78.5W x 73H	06915951-78573	06915952-78573	06915957-78573	06915958-78573	06915963-78573	06915964-78573
78.5W x 81H	06915951-78581	06915952-78581	06915957-78581	06915958-78581	06915963-78581	06915964-78581
78.5W x 85H	06915951-78585	06915952-78585	06915957-78585	06915958-78585	06915963-78585	06915964-78585
86.5W x 73H	06915953-86573	06915954-86573	06915959-86573	06915960-86573	06915965-86573	06915966-86573
86.5W x 81H	06915953-86581	06915954-86581	06915959-86581	06915960-86581	06915965-86581	06915966-86581
86.5W x 85H	06915953-86585	06915954-86585	06915959-86585	06915960-86585	06915965-86585	06915966-86585
93.5W x 73H	06915955-93573	06915956-93573	06915961-93573	06915962-93573	06915967-93573	06915968-93573
93.5W x 81H	06915955-93581	06915956-93581	06915961-93581	06915962-93581	06915967-93581	06915968-93581
93.5W x 85H	06915955-93585	06915956-93585	06915961-93585	06915962-93585	06915967-93585	06915968-93585

55230969—Rear Roll-up Door Metal

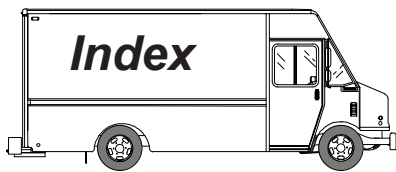
APPENDIX 55230969 (1 of 2) REAR METAL FOR NARROW ROLL-UP DOORS				
Unit Size	Item 16.2 LH	Item 16.2 RH	Item 16.2 LH	Item 16.2 RH
40" Door	Solid Panel		2 Round Lights	
78.5W x 73H	06915653-78573	06915652-78573	06915651-78573	06915650-78573
78.5W x 81H	06915653-78581	06915652-78581	06915651-78581	06915650-78581
78.5W x 85H	06915653-78585	06915652-78585	06915651-78585	06915650-78585
86.5W x 73H	06915647-86573	06915646-86573	06915645-86573	06915644-86573
86.5W x 81H	06915647-86581	06915646-86581	06915645-86581	06915644-86581
86.5W x 85H	06915647-86585	06915646-86585	06915645-86585	06915644-86585
93.5W x 73H	06915641-93573	06915640-93573	06915639-93573	06915638-93573
93.5W x 81H	06915641-93581	06915640-93581	06915639-93581	06915638-93581
93.5W x 85H	06915641-93585	06915640-93585	06915639-93585	06915638-93585
50" Door	Solid Panel		2 Round Lights	
78.5W x 73H	06502932-78573	06502931-78573	06502928-78573	06502927-78573
78.5W x 81H	06502932-78581	06502931-78581	06502928-78581	06502927-78581
78.5W x 85H	06502932-78585	06502931-78585	06502928-78585	06502927-78585
86.5W x 73H	06502932-86573	06502931-86573	06502928-86573	06502927-86573
86.5W x 81H	06502932-86581	06502931-86581	06502928-86581	06502927-86581
86.5W x 85H	06502932-86585	06502931-86585	06502928-86585	06502927-86585
93.5W x 73H	06502932-93573	06502931-93573	06502928-93573	06502927-93573
93.5W x 81H	06502932-93581	06502931-93581	06502928-93581	06502927-93581
93.5W x 85H	06502932-93585	06502931-93585	06502928-93585	06502927-93585
60" Door	Solid Panel		2 Round Lights	
78.5W x 73H	06502930-78573	06502929-78573	06502885-78573	06502884-78573
78.5W x 81H	06502930-78581	06502929-78581	06502885-78581	06502884-78581
78.5W x 85H	06502930-78585	06502929-78585	06502885-78585	06502884-78585
86.5W x 73H	06502930-86573	06502929-86573	06502885-86573	06502884-86573
86.5W x 81H	06502930-86581	06502929-86581	06502885-86581	06502884-86581
86.5W x 85H	06502930-86585	06502929-86585	06502885-86585	06502884-86585
93.5W x 73H	06502930-93573	06502929-93573	06502885-93573	06502884-93573
93.5W x 81H	06502930-93581	06502929-93581	06502885-93581	06502884-93581
93.5W x 85H	06502930-93585	06502929-93585	06502885-93585	06502884-93585
72" Door	Solid Panel		2 Round Lights	
93.5W x 73H	06502985-93573	06502986-93573	06916170-93573	06916171-93573
93.5W x 81H	06502985-93581	06502986-93581	06916170-93581	06916171-93581
93.5W x 85H	06502985-93585	06502986-93585	06916170-93585	06916171-93585

55230969—Rear Roll-up Door Metal (Continued)

APPENDIX 55230969 (2 of) REAR METAL FOR NARROW ROLL-UP DOORS				
Unit Size	Item 16.2 LH	Item 16.2 RH	Item 16.2 LH	Item 16.2 RH
40" Door	3 Round Lights		High Mount Lights	
78.5W x 73H	06915655-78573	06915654-78573	06916016-78573	06916019-78573
78.5W x 81H	06915655-78581	06915654-78581	06916016-78581	06916019-78581
78.5W x 85H	06915655-78585	06915654-78585	06916016-78585	06916019-78585
86.5W x 73H	06915649-86573	06915648-86573	06916017-86573	06916020-86573
86.5W x 81H	06915649-86581	06915648-86581	06916017-86581	06916020-86581
86.5W x 85H	06915649-86585	06915648-86585	06916017-86585	06916020-86585
93.5W x 73H	06915643-93573	06915642-93573	06916018-93573	06916021-93573
93.5W x 81H	06915643-93581	06915642-93581	06916018-93581	06916021-93581
93.5W x 85H	06915643-93585	06915642-93585	06916018-93585	06916021-93585
50" Door	3 Round Lights		High Mount Lights	
78.5W x 73H	06502963-78573	06502962-78573	06916022-78573	06916025-78573
78.5W x 81H	06502963-78581	06502962-78581	06916022-78581	06916025-78581
78.5W x 85H	06502963-78585	06502962-78585	06916022-78585	06916025-78585
86.5W x 73H	06502963-86573	06502962-86573	06916023-86573	06916026-86573
86.5W x 81H	06502963-86581	06502962-86581	06916023-86581	06916026-86581
86.5W x 85H	06502963-86585	06502962-86585	06916023-86585	06916026-86585
93.5W x 73H	06502963-93573	06502962-93573	06916024-93573	06916027-93573
93.5W x 81H	06502963-93581	06502962-93581	06916024-93581	06916027-93581
93.5W x 85H	06502963-93585	06502962-93585	06916024-93585	06916027-93585
60" Door	3 Round Lights		High Mount Lights	
78.5W x 73H	06502965-78573	06502964-78573	06916028-78573	06916031-78573
78.5W x 81H	06502965-78581	06502964-78581	06916028-78581	06916031-78581
78.5W x 85H	06502965-78585	06502964-78585	06916028-78585	06916031-78585
86.5W x 73H	06502965-86573	06502964-86573	06916029-86573	06916032-86573
86.5W x 81H	06502965-86581	06502964-86581	06916029-86581	06916032-86581
86.5W x 85H	06502965-86585	06502964-86585	06916029-86585	06916032-86585
93.5W x 73H	06502965-93573	06502964-93573	06916030-93573	06916033-93573
93.5W x 81H	06502965-93581	06502964-93581	06916030-93581	06916033-93581
93.5W x 85H	06502965-93585	06502964-93585	06916030-93585	06916033-93585
72" Door	3 Round Lights		High Mount Lights	
93.5W x 73H	06916172-93573	06916173-93573	06916174-93573	06916175-93573
93.5W x 81H	06916172-93581	06916173-93581	06916174-93581	06916175-93581
93.5W x 85H	06916172-93585	06916173-93585	06916174-93585	06916175-93585

55231017—Kickplates

APPENDIX 55231017 KICKPLATES		
LOCATION OF TAIL LIGHTS	LOCATION OF LICENSE	PART NUMBER
STANDARD IN KICKPLATE	PLATE IN CENTER	06601671-Width
STANDARD IN KICKPLATE	PLATE ON SIDE METAL	06915414-Width
IN SIDE METAL	PLATE ON LEFT HAND	06916328-Width
IN SIDE METAL	PLATE ON RIGHT HAND	06916327
IN SIDE METAL	PLATE ON SIDE METAL	06916950-Width
IN SIDE METAL	PLATE IN CENTER	06601696-Width
1 LIGHT IN KICKPLATE	PLATE IN CENTER	06601742-Width
3 LIGHTS IN KICKPLATE	PLATE IN CENTER	06918102-Width
OPTIONAL RECTANGULAR LIGHTS	PLATE IN CENTER	06601697-Width
OPTIONAL OVAL LIGHTS	PLATE IN CENTER	06601698-Width
IN LIFTGATE	PLATE IN LIFTGATE	06502934



A

Address

- National Highway Traffic Safety Administration 13
- U.S. Department of Transportation 13
- Utilimaster
 - Customer service 15
 - Parts department 10
 - Publications department 3
 - Warranty department 12

Air Conditioning 78

Appendixes 170

B

Battery access 22

Body serial number 14

Bulkhead

- Aluminum 110
- Blandex 116
- Panels 170

Bumpers 20, 171

C

Cab

- Decals 108
- Front floor 22
- Options 108

Cargo floor 28

Cargo options 152, 156

Chassis 16, 171, 172, 174

Codes 7

Cowling 32, 36, 38, 40

Customer service

- 7, 8, 9, 10, 12, 15

D

Dash 68

Decals 108

Decoding part numbers 7

Door

- Hardware 15

Doors

Bulkhead

- Aluminum 110
- Blandex 116

Rear

- Roll-up 144
- Swing 148

Side

- Doorless Panel 104
- Sedan 102
- Slider 98

E

Echovision 168

Electrical components 15

Electrical harnesses 164, 166

Email 10, 12, 15

Engine cover 32, 36, 38, 40

F

Federal Certification Label 14

Firewall. See Cowling

Floor

- Cab 22
- Cargo 28
- Matting 82, 84, 88

Forms 10, 12

Front cab floor 22

Front structure 42

G

Glass. See Window
Glossary of terms 15

H

Heater 15, 72, 78
Hood
 Aluminum 62
 Fiberglass 58
 RIM 52

I

Item numbers 7

K

Kickplate 124, 130, 138, 140, 180

L

Laundry racks 156
Lights
 Headlamps 58
 Rear 124
 Switches 68

M

Matting, floor 82, 84, 88
Metal
 Door 98, 102, 148
 Doorless panel 104
 Rear structure 177, 178, 179
 Roof 158
 Sidewall 120
Mirrors 15, 42. See also Rear structure
Model numbers 9
Mud flaps 15, 28

N

Number
 Body serial number 14
 Phone 10, 12, 13, 15
 VIN 14

O

Options, cab 108
Options, cargo 152, 156

P

Parts
 Guide 15
 Lists 16
 Numbers 7
 Ordering 10, 11
 Phone numbers 10, 12, 13
 Pipe racks. See Shelving: Laundry
 Racks
 Positive Pressure System 162

Q

Quarter panels 42, 175

R

Racks. See Shelving
Radio 108
Rear door
 Roll-up 144
 Swing 148
Rear structure
 Full roll-up (standard) 138
 Full roll-up (wide post) 140
 Full swing 130
 Narrow roll-up 134
 Narrow swing 124
Revisions 3
Roof 158

S

Safety 13
Seat belts 92, 96
Seats
 Jump 96, 176
 Pedestal 15, 92
Shelving
 Fold-up 152, 154
 Laundry Racks 156
Sidewalls 120
Stepwell 22
Sun visors 15, 42
Surge bars 118

T

Threshold 22, 120, 124, 130, 138, 140

U

Utilimaster body serial number 14
Utilimaster Glossary of Terms 15
Utilimaster Quick Reference Parts Guide 15

V

VACS 168
Vent 15
Vents 120, 152
VIN 14
Visors 15, 42

W

Warranty claims 12
Web site 3, 10, 12, 15
Wheel wells 28
Window
 Bulkhead 116
 Doorless panel 104
 Quarter 42
 Rear roll-up door 144
 Sedan door 102
 Sliding door 98
 Windshield 42
Windows 15
Wiper system 64
Wipers 15
Wiring. See Electrical harnesses
Wiring schematics 15



Part Number: 03102353-PY00EN

©Utilimaster Corporation, 65906 State Road 19, P.O. Box 585, Wakarusa, Indiana, 46573-0585, USA
